

Zone Barrel Installation Instructions

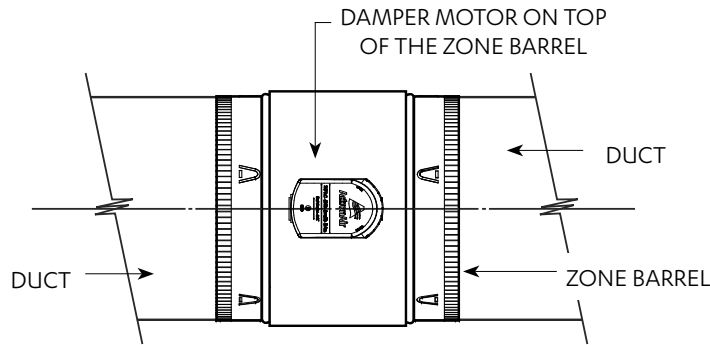
In the installation of zone barrels, extra caution must be taken as damper motors are **IP20 Rated and MUST NOT BE INSTALLED IN AN AREA WHERE CONDENSATION WILL BE AN ISSUE.**

It is highly recommended that indoor units and accessories, particularly zone barrels, be mounted in the roof cavity. Mounting of zone barrels should be horizontally positioned ensuring that the damper motor is located on the upper half of the barrel's centerline (positions that range from 9 o'clock to 3 o'clock), as shown below:

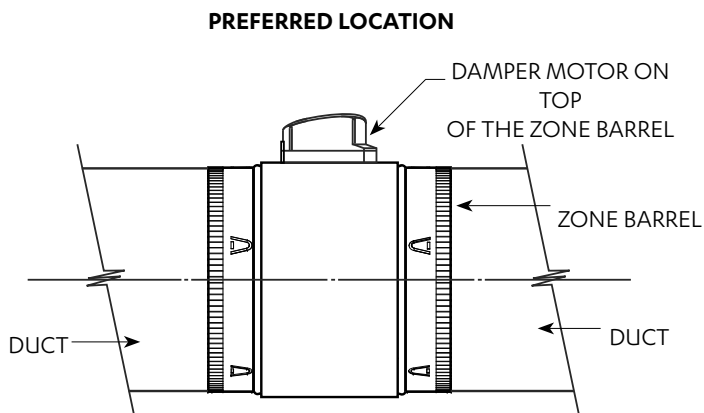
It is also recommended that only ActronAir 24V zones be connected to this system using RJ45 cable connections. Warranty may be void if third party zones cause damage to the system.

NOTE

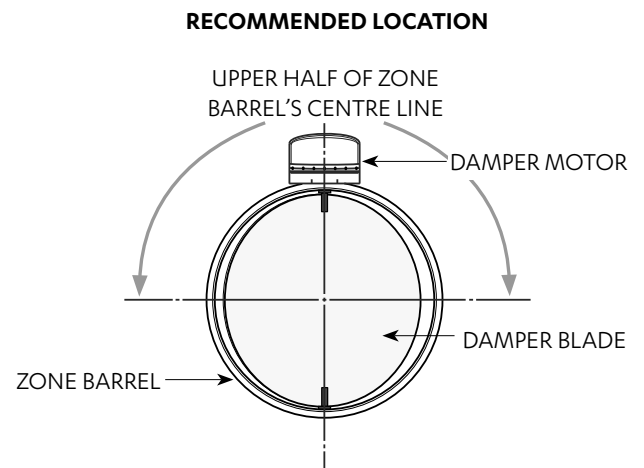
All drawings are for illustration purposes only. Actual unit may vary depending on the model.



TOP VIEW



SIDE VIEW



FRONT VIEW