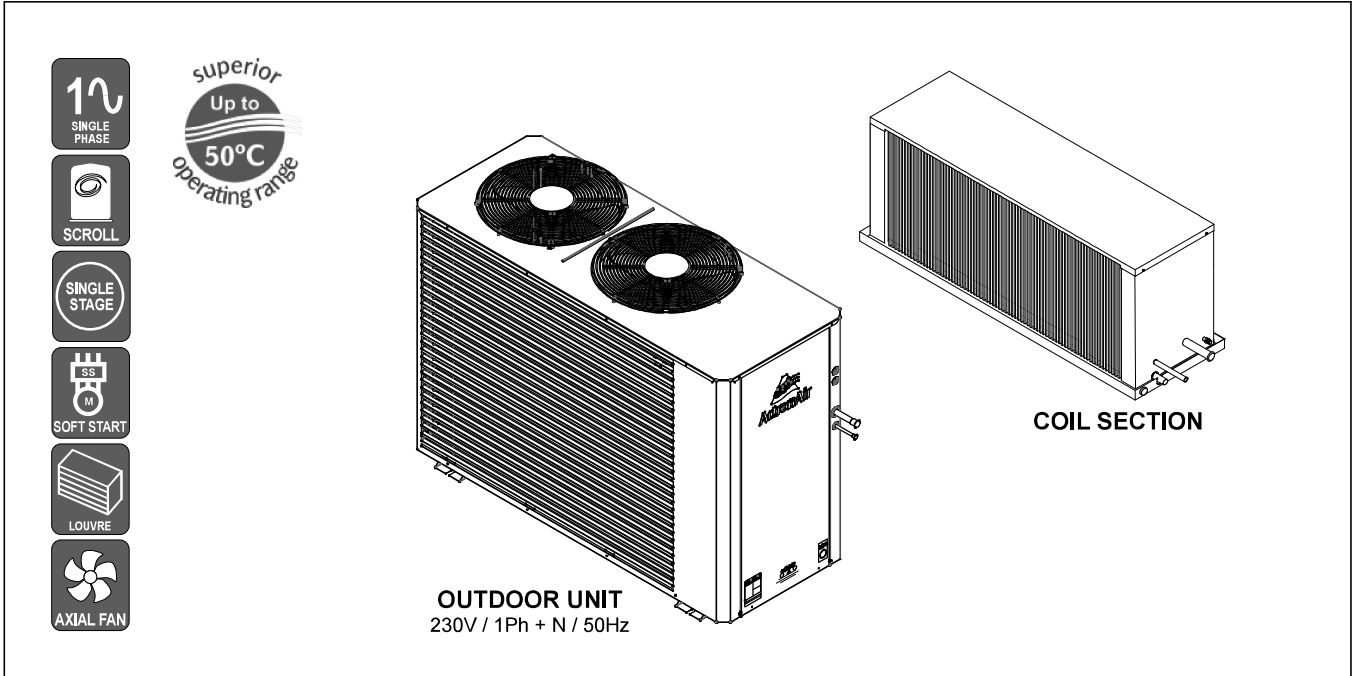


ADD - ON AIR CONDITIONING MODELS

1-PHASE MODELS

The innovative ActronAir ADD-ON system when integrated onto an existing gas ducted heating system will provide the air conditioning requirement, without the need of installing a complete air conditioning unit. The ADD-On system utilizes the same heating system's registers, duct work and heater fan to deliver cool and dehumidified air.

The compact and light weight coil section is also a versatile solution to difficult and tight roof space installations or where there is an under floor room space limitations. The coil section is simply joined by flexible ducting to the other system by either an EASY FIT supply plenum or a twin spigot duct plate.



UNIT FEATURES

- Compliant Scroll Compressor
- Three Speed Outdoor Fans
- Louvred Outdoor Coil Guard
- Pre-charged with R-410A Refrigerant
- Designed for Ease of Installation in Difficult and Tight Spaces.
- Mounting studs for perforated hanging strap.
- Incorporates the EASY FIT supply and return air plenum system.
- Optional External Condensate Drain Tray Available - Outdoor Unit.

OUTDOOR MODEL	Cooling Only	CCA130S	CCA150S	CCA170S
INDOOR COIL SECTION MODEL		EAA130S	EAA150S	EAA170S
Nominal Cooling Capacity (kW)	(Low/Med/High)	12.28/12.33/12.82	14.94/15.36/15.78	16.65/16.96/17.49
Nominal Input Power (kW)	(Low/Med/High)	3.21/3.22/3.23	4.00/4.02/4.04	4.55/4.57/4.59
Nominal EER	(Low/Med/High)	3.82/3.83/3.97	3.74/3.82/3.91	3.66/3.71/3.81
Nett Cooling Capacity (kW)	(Low/Med/High)	12.15/12.20/12.65	14.80/15.20/15.60	16.50/16.80/17.30
Nett Input Power (kW)	(Low/Med/High)	3.34/3.35/3.40	4.14/4.18/4.22	4.70/4.73/4.77
Nett EER	(Low/Med/High)	3.64/3.64/3.72	3.57/3.64/3.70	3.51/3.55/3.63
Required Indoor Airflow (l/s)	(Low/Med/High)	590/640/850	690/810/950	765/840/980
Power Supply - Outdoor Unit (V/Ph/Hz)		230V/1Ph+N/50Hz		
Outdoor Unit Rated Load Amps		14.4	14.4	20.2
Outdoor Unit Full Load Amps		23.1	23.9	30.7
Coil Section	Weight (kg)	24	27	29
	Dimensions (mm) (HxDxW)	410x342x1054	410x342x1252	410x342x1252

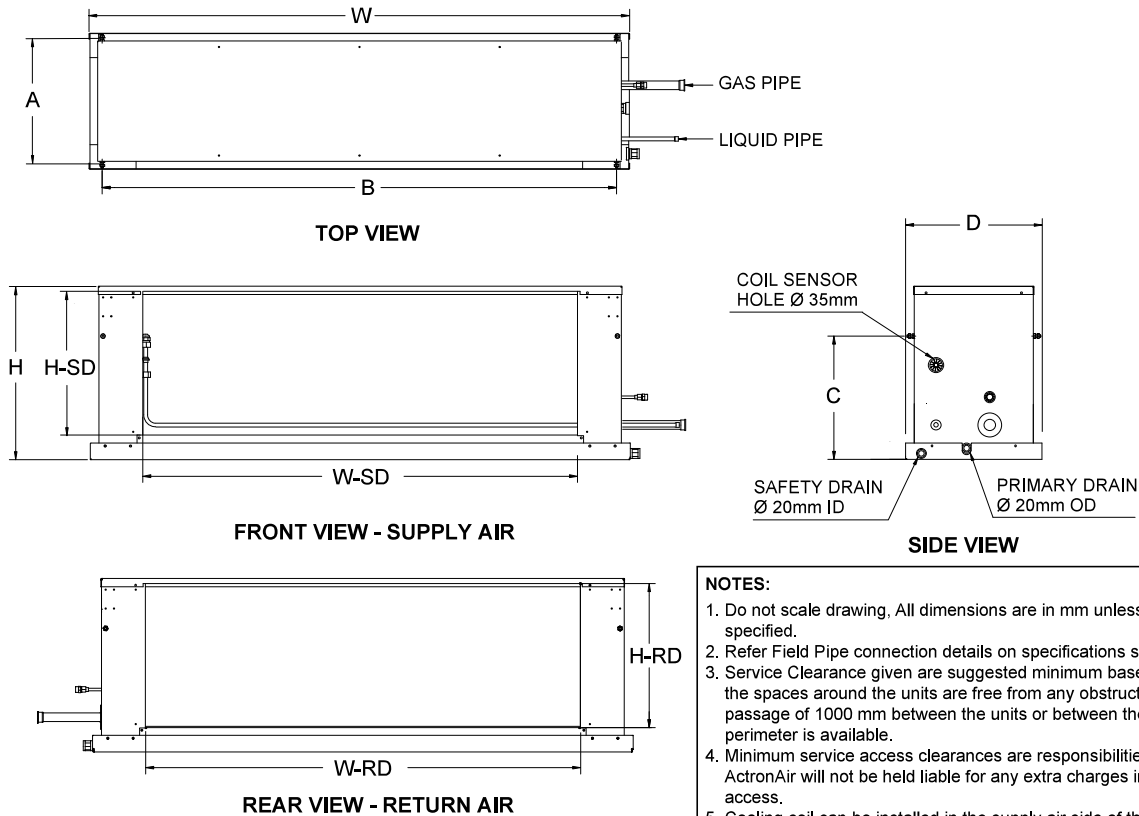
NOTES:

1. Refer ratings, specifications, data and fan curves to corresponding standard model.
2. Airflow across the coil must be no less than the complete fan sections minimum airflow.
3. External static pressure is the same as the standard model fan coil.
4. Weights and dimensions are nominal values.

SUPPLY PLENUM / DUCT PLATE OPTIONS ADD - ON AIR CONDITIONING

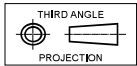
EAA130S EAA150S EAA170S

A COIL SECTION



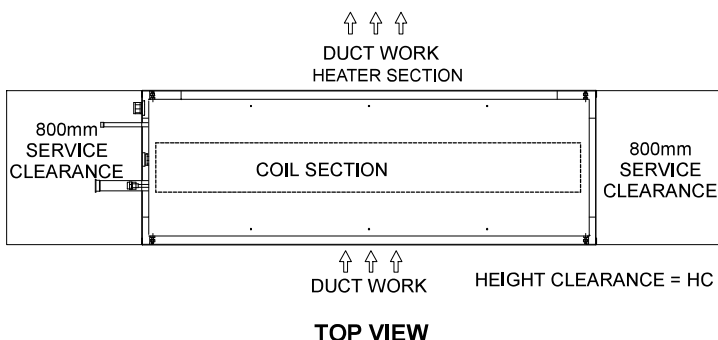
NOTES:

1. Do not scale drawing. All dimensions are in mm unless specified.
2. Refer Field Pipe connection details on specifications sheet.
3. Service Clearance given are suggested minimum based on the condition that the spaces around the units are free from any obstructions and a walkway passage of 1000 mm between the units or between the unit and the outside perimeter is available.
4. Minimum service access clearances are responsibilities of the installer, ActronAir will not be held liable for any extra charges incurred due to lack of access.
5. Cooling coil can be installed in the supply air side of the ductwork when paired with a third party gas heater. The supply air temperature across the cooling coil must not exceed 50°C.



	EAA130S /EAA150S	EAA170S
Overall Nominal Dimension (O/A)		
Height (H)	410	435
Width (W)	1252	1360
Depth (D)	342	342
Mounting Distance Centre to Centre / Foot Base		
A	315	315
B	1190	1294
C	283	310
Supply Duct		
Height (H-SD)	345	362
Width (W-SD)	900	1094
Return Duct		
Height (H-RD)	345	362
Width (W-RD)	900	1094
Gas Pipe	Ø 19.05mm (3/4") Swaged	Ø 22.22mm (7/8 ") Swaged
Liquid Pipe	Ø 9.52mm (3/8") Swaged	

Minimum Service Areas and Airflow Clearances

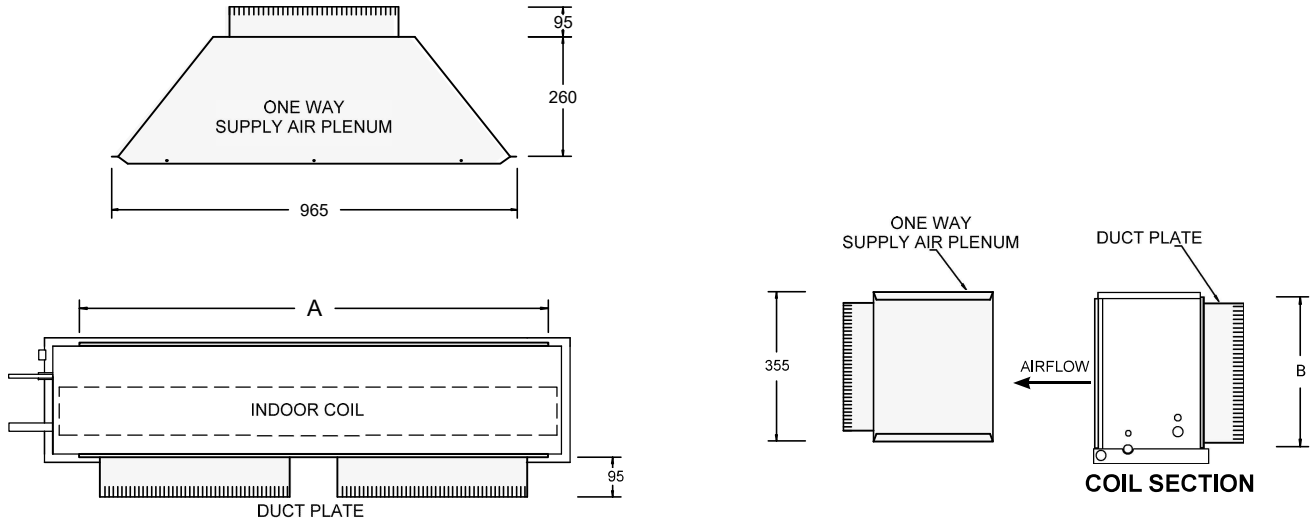


	EAA130S / EAA150S	EAA170S
Height Clearance (HC)	340	410



SUPPLY PLENUM / DUCT PLATE OPTIONS ADD - ON AIR CONDITIONING

EAA130S EAA150S EAA170S



SUPPLY AIR PLENUMS (SUPPLY SIDE)

PLENUM	EAA130S EAA150S EAA170S					
	ONE WAY	TWO WAY		THREE WAY		
MODEL NUMBER	PL18S-1/40S	PL18S-2/35S	PL20S-2/40S	PL13S-3/30S	PL18S-3/35S	PL20S-3/SPS
TYPE / SIZE	1 x 400 mm (16")	2 X 350 mm (14")	2 x 400 mm (16")	3 x 300 mm (12")	3 x 350 mm (14")	1 x 400 mm (16") + 2 x 350 mm (14")

DUCT PLATES (RETURN SIDE ONLY)

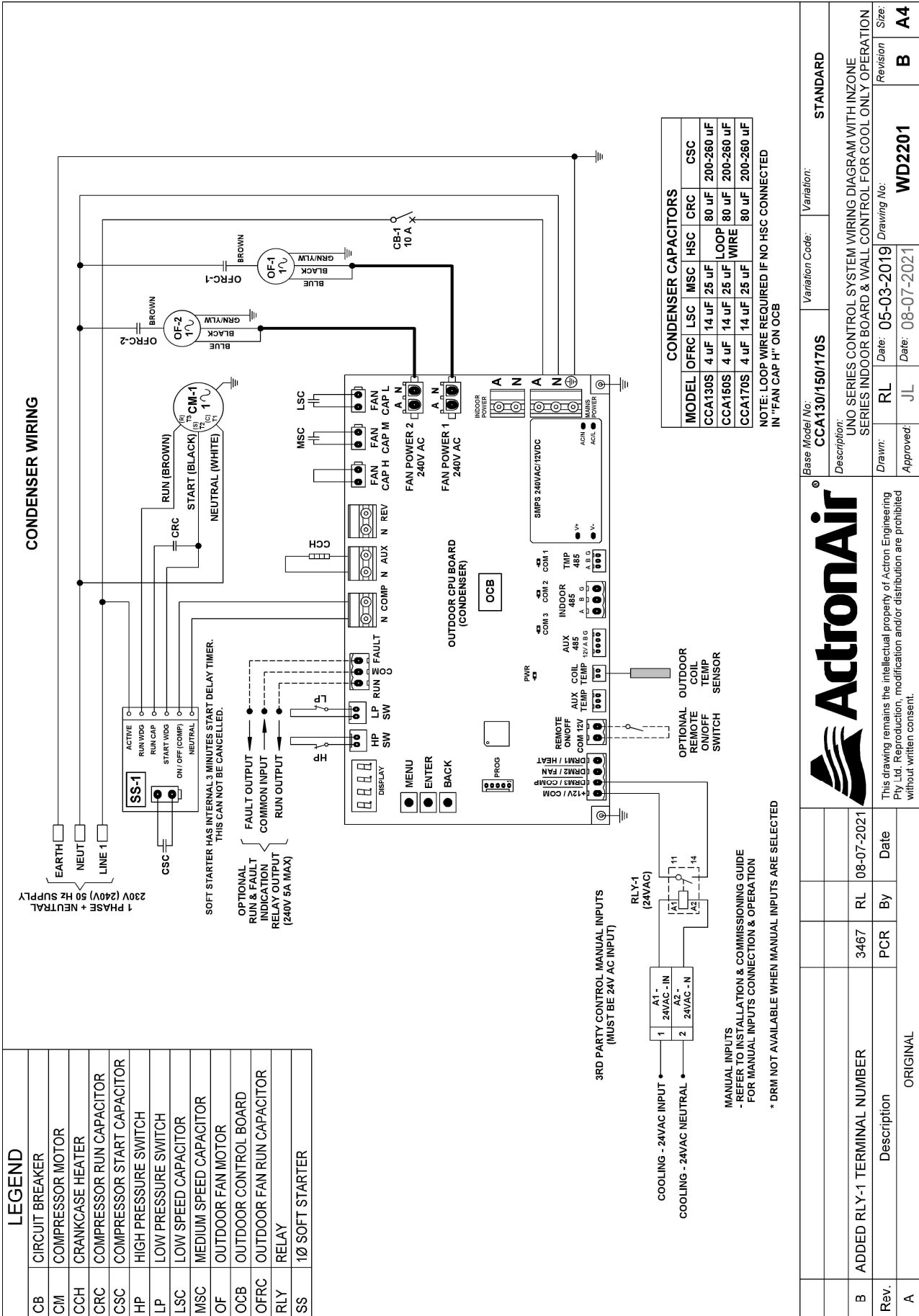
PLENUM	EAA130S		EAA150S	EAA170S
	MODEL NUMBER	PLDP-2/350	PLDP-2/400	PLDP-2/400
TYPE / SIZE	2 x 350 mm (14")	2 x 400 mm (16")	2 x 400 mm (16")	
DIMENSION "A"	962	962	962	
DIMENSION "B"	405	405	405	

NOTES:

1. For airflow purposes, please refer to supply and return air matrix for details of required number of spigots in operation.
2. Dimensions are nominal values.
3. For **add-on cooling**, ActronAir does not recommend a duct plate on the supply side.

FIELD WIRING DIAGRAM

ACTRONAIR ADD-ON AIR CONDITIONING



Base Model No: **CCA130/150/170S** Variation Code: Variation: **STANDARD**

Description: **UNO SERIES CONTROL SYSTEM WIRING DIAGRAM WITH INZONE SERIES INDOOR BOARD & WALL CONTROL FOR COOL ONLY OPERATION**

Rev.	3467	PCR	By	Date
A				

Drawn: **RL** Date: **05-03-2019**

Approved: **JL** Date: **08-07-2021**

Drawing No: **WD2201**

Revision: **B**

Size: **A4**