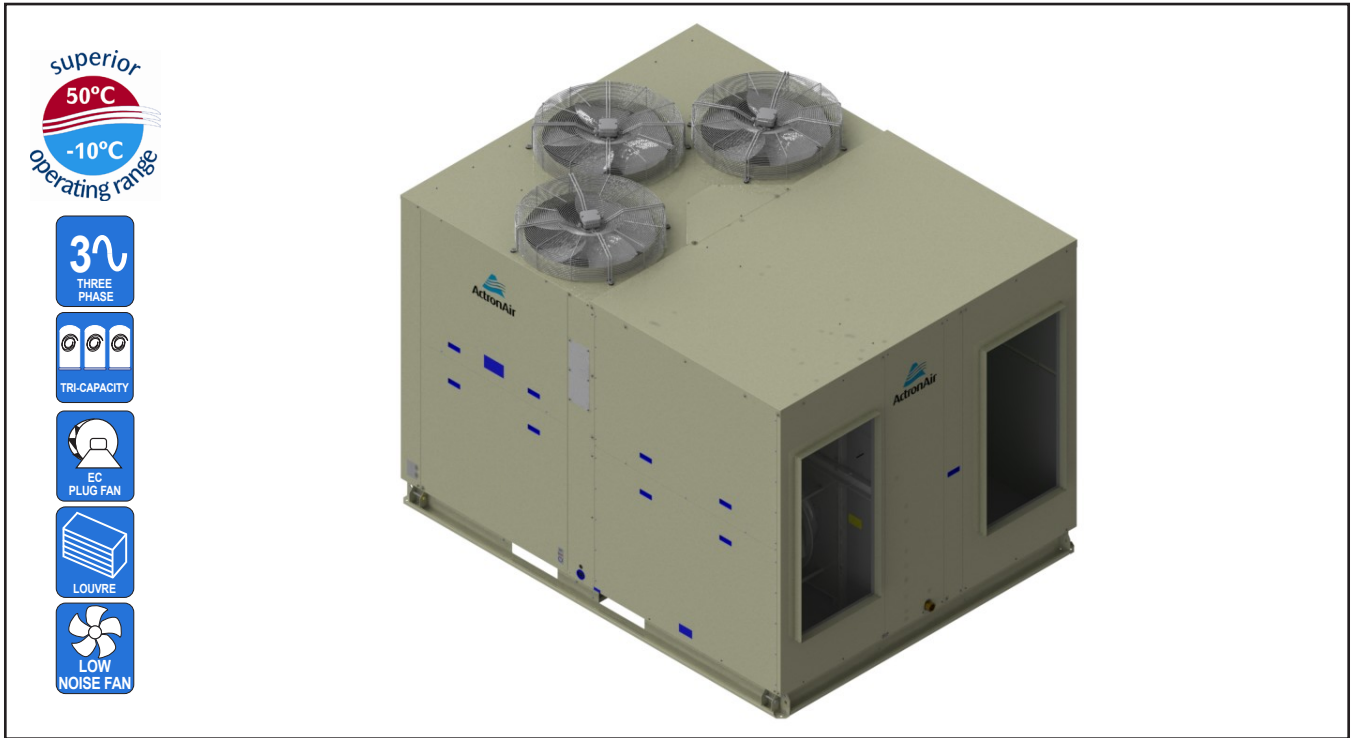


TRI-CAPACITY PACKAGE UNIT



UNIT FEATURES

- Compliant Scroll Compressors
- Tri-Capacity 33% 67% 100% Capacity Stages
- Triple Bi-Flow Thermostatic Expansion Valves
- Full Factory Charged with R-410A Refrigerant
- Return Air Filter Rails Fitted
- Two Speed Outdoor Fans
- Blue Epoxy Coat Coil Fin Protection - Indoor & Outdoor Coils
- Outdoor Coils Condensate Drain Socket
- Louvred Outdoor Coil Guard
- External Stainless Steel Screws
- Adaptive Demand Defrost
- EC Variable Speed Backward Curve Plug Fan
- Adjustable Indoor Airflow via Control Interface
- Foil Faced Polyethylene Insulation

UNIT OPTIONS

- Reverse Handing with Various Airflow Options
- ⁽⁹⁾ Economy Starter Kit (Available on LHS / RHS only)
- Outside Air Damper
- Low Ambient / High Static Outdoor Fans
- Compressor Soft Starters
- Phase Protection
- Additional Full Coil Coat Protection

CONTROL FEATURES

ActronAir CP05 / CP10

- Auto / Cool / Heat / Fan Only Modes
- 7-Day Time Clock with 2 On/Off Events per Day
- 12 Programmable Special Days with 2 On/Off Events per Day
- Daylight Saving Time Function
- Indoor Coil Anti-Freeze Protection
- HP / LP Safety Protection
- Alarm Fault Data Logger
- LCD Screen Displays Operating Status, Mode & Menu Information
- Night Mode Function

CONTROL OPTIONS

ActronAir CL01-2 (BCA Compliant) - Purchased Separately

- Available in White or Grey
- 7-Day Time Clock with 2 On/Off Events per Day

Optional BMS Control - Purchased Separately

- MODBUS 485 / BACNET 485 / BACNET TCP/IP

Optional 3rd Party Control Inputs - Standard Inclusion

- 0-10VDC / 24VAC / Volt Free Digital Input

SPECIFICATION SUMMARY

PACKAGE UNIT MODEL	PKY820T	
	⁽¹⁾ TOTAL	⁽²⁾ NETT
⁽³⁾ COOLING CAPACITY (kW)	82.24	80.04
⁽³⁾ SENSIBLE CAPACITY (kW)	72.64	70.44
⁽⁴⁾ HEATING CAPACITY (kW)	79.20	81.95
⁽⁵⁾ COOLING INPUT POWER (kW)	26.50	
⁽⁵⁾ HEATING INPUT POWER (kW)	26.50	
EER	3.10	3.02
COP	2.99	3.09
⁽⁶⁾ INDOOR AIRFLOW (l/s) - MIN. / NOMINAL / MAX.	3200 / 4000 / 4800	
OUTDOOR SOUND PRESS. LEVEL @ 3M dB(A) - LOW / HIGH	61.0 / 66.0	
OUTDOOR SOUND POWER LEVEL dB(A) - LOW / HIGH	78.0 / 83.0	
POWER SUPPLY	400V / 3Ph+N / 50Hz	
⁽²⁾ RATED LOAD AMPS	50.6	
⁽⁷⁾ FULL LOAD AMPS	67.0	
⁽⁸⁾ CIRCUIT BREAKER AND CABLE AMPS	80.0	
APPROXIMATE STARTING AMPS	111.0	
WEIGHT (kg)	1263	

⁽¹⁾ Based on unit rating excluding indoor fan kW.

⁽²⁾ Measured and tested in accordance with AS/NZS 3823.1.2.

⁽³⁾ At 27°C DB / 19°C WB entering air temperatures and 35°C ambient.

⁽⁴⁾ At 20°C DB entering air temperature and 7°C DB / 6°C WB ambient.

⁽⁵⁾ Input power includes indoor fan kW.

⁽⁶⁾ Max. - Min. airflow application range.

⁽⁷⁾ Full Load Amps are based on compressor and fan motors' maximum expected current.

⁽⁸⁾ See Specifications sheet for cable size and circuit breaker size details.

⁽⁹⁾ Room Air Sensor needs to be relocated by the installer specific to site requirements.

Note: Use nett input power to estimate running cost.

UNIT COMPLIANCE

- MEPS (GEMS Determination 2020)
- Demand Response AS4755.3.1:2012
- BCA Compliant with CL01-2 Control Interface
- AS / NZS 1170.2 Structural design actions - Wind Actions
- EMC Compliant



CAPACITY SELECTION DATA

PKY820T

COOLING PERFORMANCE

AIR ENTERING		TOTAL CAPACITY kW	TOTAL SENSIBLE CAPACITY - kW										
OUTDOOR DB - °C	INDOOR WB - °C		AT DB TEMPERATURE ONTO INDOOR COIL - °C										
			20	21	22	23	24	25	26	27	28	29	30
25	16	83.80	58.85	63.66	68.56	72.64	77.13	81.46					
	17	85.69	53.81	58.63	63.44	68.28	72.39	76.97	81.46				
	18	87.82	48.62	53.54	58.44	63.28	68.03	72.22	76.85	81.32	85.80		
	19	90.31	43.34	48.36	53.30	58.16	63.10	67.78	71.96	76.64	81.16	85.47	89.93
	20	92.68	38.07	43.15	48.07	53.00	57.92	62.78	67.53	72.36	76.37	80.92	85.29
	21	94.99		37.77	42.77	47.76	52.73	57.70	62.47	67.20	72.02	76.02	80.59
22	97.97			37.41	42.44	47.51	52.39	57.28	62.22	66.99	71.64	75.71	
30	16	80.41	57.04	61.76	66.05	70.72	75.23	79.55					
	17	82.12	51.89	56.80	61.58	66.45	70.48	75.08	79.49				
	18	84.22	46.75	51.74	56.59	61.41	66.17	70.32	74.88	79.44	83.75		
	19	86.53	41.52	46.49	51.45	56.33	61.23	65.97	70.10	74.74	79.20	83.57	
	20	88.78	36.30	41.34	46.25	51.26	56.12	60.98	65.71	70.48	74.47	79.01	83.46
	21	91.15		36.00	40.98	46.04	50.91	55.82	60.67	65.40	70.15	74.16	78.70
22	93.61			35.64	40.66	45.68	50.55	55.54	60.40	65.15	69.85	73.90	
35	16	76.78	54.99	59.73	63.95	68.58	73.11	77.39					
	17	78.82	49.94	54.82	59.58	63.83	68.49	73.03	77.34				
	18	80.02	44.80	49.75	54.67	59.45	64.22	68.32	72.80	77.20			
	19	82.24	39.63	44.61	49.49	54.38	59.20	63.92	68.03	72.64	77.13	81.46	
	20	84.43	34.31	39.37	44.30	49.25	54.19	58.93	63.74	67.87	72.41	76.91	81.35
	21	86.71		34.12	39.14	44.02	49.02	53.94	58.68	63.45	68.17	72.19	76.69
22	89.02			33.76	38.82	43.77	48.73	53.60	58.43	63.16	67.78	71.87	
40	16	73.18	52.73	57.46	61.70	66.30	70.79						
	17	73.87	47.76	52.60	57.39	61.56	66.18	70.69					
	18	75.64	42.71	47.61	52.41	57.23	61.36	66.05	70.58	75.00			
	19	77.62	37.45	42.50	47.39	52.30	57.04	61.69	65.89	70.40	74.84		
	20	79.66	32.28	37.27	42.25	47.18	52.07	56.82	61.48	65.59	70.24	74.66	79.09
	21	81.79		32.00	36.96	42.00	46.85	51.77	56.53	61.29	65.41	69.99	74.44
22	83.98			31.73	36.68	41.69	46.59	51.47	56.25	60.95	65.15	69.68	
45	16	69.13	50.31	55.09	59.30	63.83							
	17	69.19	45.38	50.17	54.95	59.13	63.74	68.13					
	18	70.81	40.31	45.22	50.01	54.81	58.95	63.57	68.07				
	19	72.49	35.17	40.13	45.02	49.86	54.61	58.85	63.36	67.93	72.27		
	20	74.38	29.96	34.93	39.90	44.81	49.64	54.37	58.59	63.18	67.76	72.15	
	21	76.33		29.69	34.73	39.68	44.58	49.44	54.21	58.86	62.97	67.54	71.96
22	78.37			29.45	34.46	39.39	44.35	49.20	53.96	58.62	62.71	67.26	
50	16	64.59	47.62	51.88	56.50	61.00							
	17	64.62	42.74	47.52	51.79	56.41	60.89						
	18	65.37	37.66	42.61	47.33	52.09	56.24	60.77					
	19	66.69	32.60	37.51	42.47	47.17	51.88	56.11	60.63	65.07			
	20	68.37	27.42	32.40	37.31	42.27	47.00	51.70	55.94	60.44	64.94		
	21	70.27		27.16	32.13	37.12	42.01	46.84	51.48	55.73	60.25	64.74	69.16
22	71.98			26.93	31.89	36.86	41.73	46.58	51.23	55.48	60.01	64.49	

82.24 kW
3 Phase
Tri-Capacity

HEATING PERFORMANCE

WB TEMP ON OD COIL - °C	HEATING CAPACITY - kW									
	AT DB ENTERING INDOOR - °C									
	16		18		20		22		24	
	TH	IH	TH	IH	TH	IH	TH	IH	TH	IH
-10	51.85	48.74	51.64	48.54	51.58	48.48	51.15	48.08	50.88	47.83
-8	54.72	50.89	54.69	50.86	54.47	50.66	54.17	50.38	53.89	50.12
-6	57.94	53.31	57.70	53.08	57.64	53.03	57.33	52.75	57.00	52.44
-4	61.29	54.86	61.05	54.64	60.78	54.39	60.68	54.31	60.32	53.99
-2	64.95	56.50	64.67	56.27	64.31	55.95	63.91	55.60	63.58	55.31
0	68.78	59.16	68.42	58.84	68.11	58.58	67.72	58.24	67.26	57.85
2	72.23	64.28	72.07	64.15	71.62	63.74	71.25	63.41	70.73	62.95
4	76.15	72.35	75.64	71.86	75.24	71.48	74.78	71.05	74.48	70.76
6	80.27	80.27	79.78	79.78	79.20	79.20	78.68	78.68	78.20	78.20
8	84.65	84.65	84.13	84.13	83.55	83.55	82.92	82.92	82.34	82.34
10	89.34	89.34	88.73	88.73	88.15	88.15	87.51	87.51	86.84	86.84
12	94.12	94.12	93.48	93.48	92.81	92.81	92.05	92.05	91.59	91.59
14	99.12	99.12	98.39	98.39	97.62	97.62	97.11	97.11	96.28	96.28
16	104.23	104.23	103.44	103.44	102.89	102.89	101.98	101.98	101.10	101.10
18	109.90	109.90	108.98	108.98	108.01	108.01	106.97	106.97	106.03	106.03

TH - Total Heating Capacity (kW).
IH - Integrated Heating Capacity (kW).
Includes defrost losses.

AIRFLOW CORRECTION MULTIPLIER

% VARIATION	-20%	-15%	-10%	-5%	NOMINAL	5%	10%	15%	20%
INDOOR AIRFLOW (l/s)	3200	3400	3600	3800	4000	4200	4400	4600	4800
TOTAL COOLING	0.963	0.972	0.983	0.992	1.000	1.009	1.016	1.022	1.029
SENSIBLE COOLING	0.894	0.921	0.948	0.974	1.000	1.026	1.051	1.075	1.099
HEATING FACTOR	0.994	0.996	0.997	0.998	1.000	1.002	1.003	1.004	1.006

NOTES:

- No allowance has been made for the effect of indoor fan motor.
- Selection tables are based on nominal airflows. Correction factors must be applied for selection away from these conditions.



INDOOR FAN DATA / FAN CURVE

PKY820T

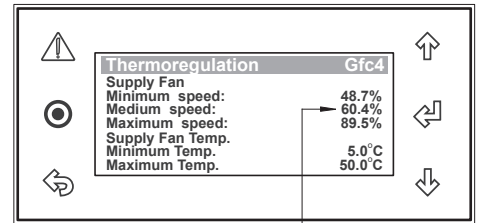
FAN PERFORMANCE DATA

AIRFLOW (l/s)	EXTERNAL STATIC PRESSURE (Pa)																				MOTOR / BLOWER LIMIT
	50		100		150		200		250		300		350		400		450		500		
	% Spd.	W	% Spd.	W	% Spd.	W	% Spd.	W	% Spd.	W	% Spd.	W	% Spd.	W	% Spd.	W	% Spd.	W	% Spd.	W	
3200	48.7	958	51.4	1153	54.3	1412	57.7	1665	60.9	1895	64.8	2188	67.6	2477	70.5	2792	73.3	3136	76.2	3457	
3300	49.6	997	52.2	1216	55.2	1480	59.0	1757	62.1	1988	65.6	2270	68.5	2580	71.1	2876	74.1	3247	77.1	3558	
3400	50.7	1064	53.5	1319	56.6	1574	60.0	1828	63.3	2080	66.5	2370	69.3	2668	72.7	3079	75.0	3366	78.0	3659	
3500	51.8	1147	54.4	1389	57.8	1658	61.1	1910	64.4	2164	67.3	2459	70.3	2789	72.8	3097	76.0	3468	79.0	3770	
3600	52.7	1214	55.5	1469	59.0	1738	62.2	1989	65.4	2254	68.4	2584	71.1	2894	73.9	3237	77.0	3575	80.1	3802	
3700	53.7	1292	56.8	1554	60.1	1808	63.3	2071	66.1	2331	69.2	2672	72.0	3004	74.8	3346	78.1	3692	81.0	4020	
3800	54.7	1367	57.9	1623	61.2	1888	64.3	2151	67.2	2452	70.2	2784	72.9	3113	75.8	3452	79.1	3800	82.0	4161	
3900	56.0	1456	58.9	1691	62.3	1976	65.5	2261	68.2	2560	71.3	2916	74.1	3252	77.0	3580	80.3	3950	82.9	4299	
4000	57.3	1539	60.4	1795	63.5	2067	66.6	2376	69.3	2677	72.2	3017	75.1	3362	78.3	3730	81.1	4072	83.7	4421	
4100	58.6	1249	61.6	1877	64.7	2153	67.7	2485	70.5	2804	73.3	3134	76.1	3467	79.4	3863	82.1	4219	84.6	4558	
4200	60.0	1705	62.9	1972	65.9	2267	68.6	2572	71.6	2920	74.4	3254	77.5	3638	80.5	4017	82.9	4339	85.8	4735	
4300	61.5	1821	64.2	2075	67.1	2389	69.7	2686	71.6	2909	75.5	3375	78.7	3791	81.5	4163	84.0	4500	87.0	4293	
4400	62.6	1892	65.3	2160	68.1	2488	70.9	2810	73.8	3150	76.6	3509	79.9	3961	82.4	4295	84.8	4615	88.8	5191	
4500	63.9	1988	66.6	2289	69.2	2596	72.1	2934	75.0	3270	77.9	3681	80.8	4085	83.3	4418	81.1	4125			
4600	65.0	2075	67.8	2408	70.5	2728	73.3	3053	76.1	3411	79.1	3849	81.8	4223	84.1	4534	87.9	5077			
4700	66.2	2192	69.0	2522	71.8	2851	74.5	3167	77.6	3615	80.3	4016	82.8	4360	85.5	4734	89.5	5313			
4800	67.5	2315	70.4	2657	73.1	2973	75.8	3319	78.7	3767	81.2	4135	83.8	4495	86.9	4941					

NOTES:

% Speed = Indoor Fan Speed Control Setting, in percent
(Value is set on the Control Interface via Service Menu *).
W = Indoor Fan Power, Watts
[] - Data in the box indicates Factory Default Setting.

*Service → Service Settings → Thermoregulation → Thermoregulation Gfc4

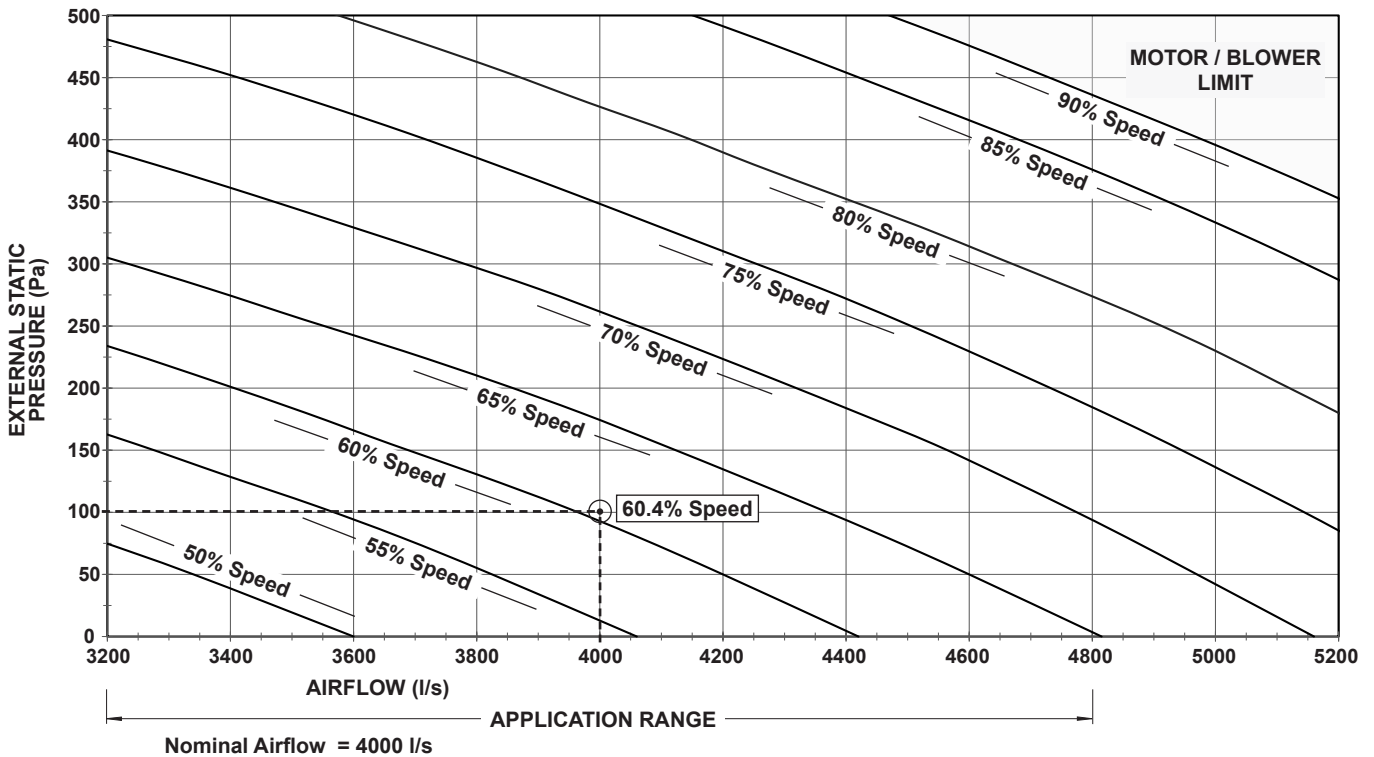


Set Fan Speed →

3 Phase
Tri-Capacity

82.24 kW

INDOOR UNIT FAN CURVE



IMPORTANT NOTE:

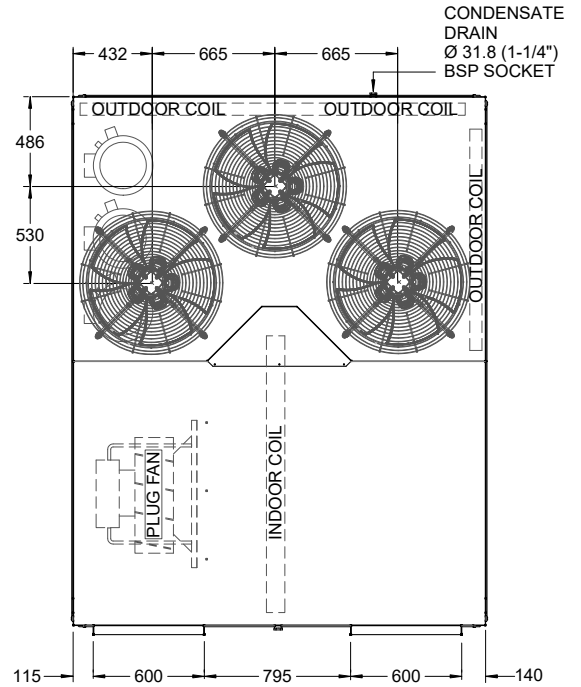
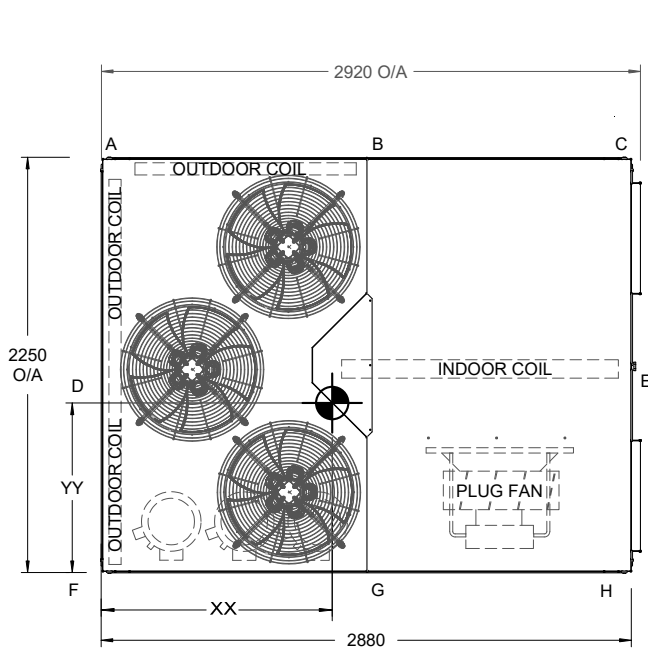
Fan Performance Data & Fan Curve shown is at dry coil and with no air filters installed. Consider ext. static pressure drop specific to your design requirements.



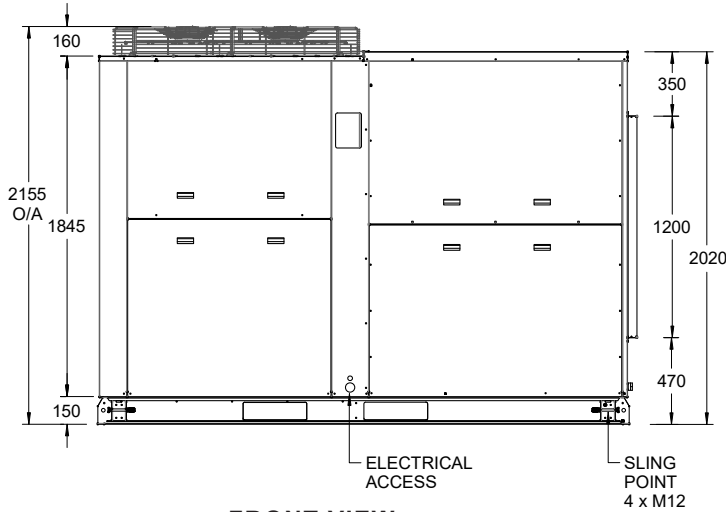
UNIT DIMENSIONS

PKY820T

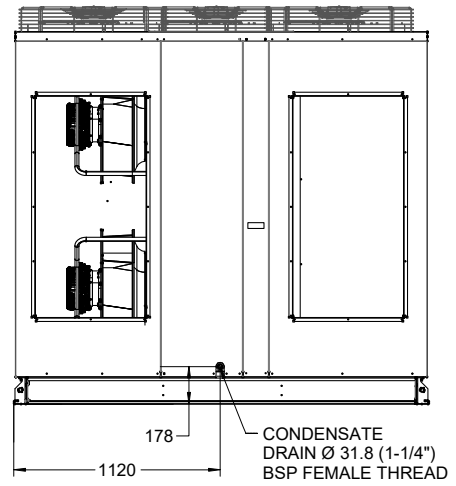
DIMENSION (H x W x D) = 2155 x 2250 x 2920
 SUPPLY DUCT (H x W) = 1200 x 600
 RETURN DUCT = 1200 x 600



TOP VIEW



FRONT VIEW



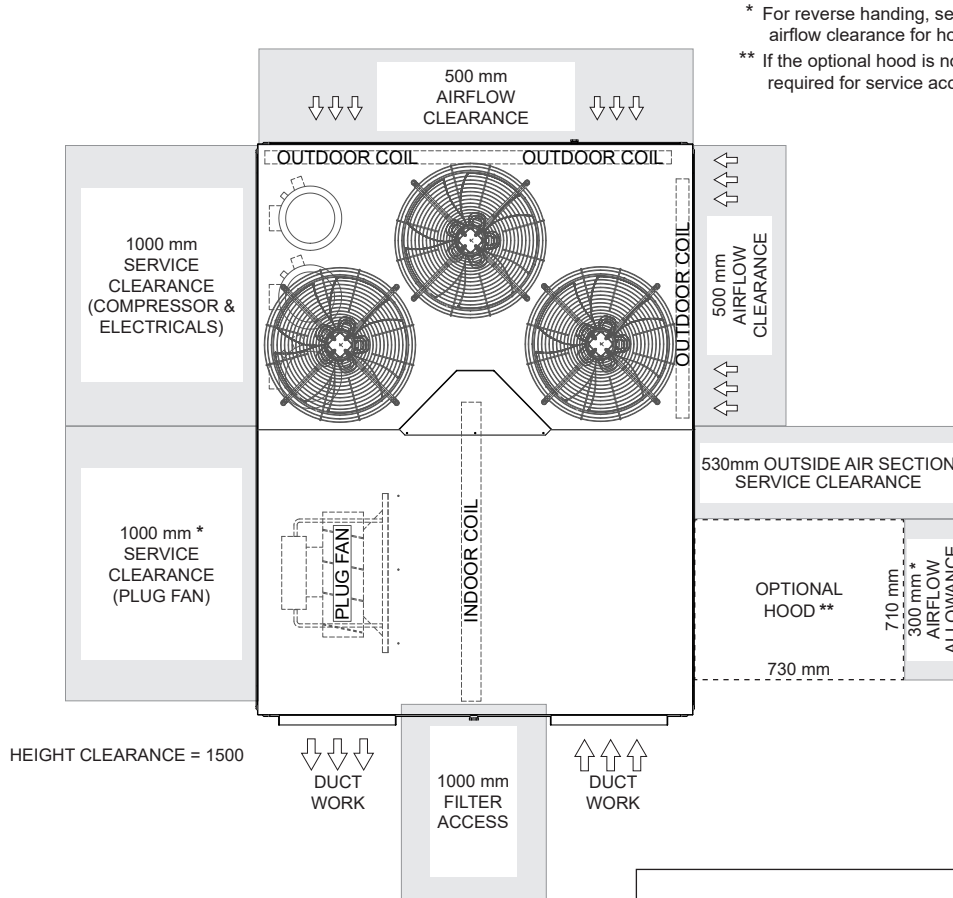
SIDE VIEW

UNIT AIR HANDLING CONFIGURATION (LH / RH)	NO. OF POINTS	UNIT WEIGHT (kg)	CORNER WEIGHTS (kg)								CENTRE OF GRAVITY	
			A	B	C	D	E	F	G	H	XX	YY
LEFT HANDING	8	1263	118	232	26	77	201	222	315	72	1272	927
RIGHT HANDING	8	1263	118	260	53	77	201	222	288	44	1249	1045



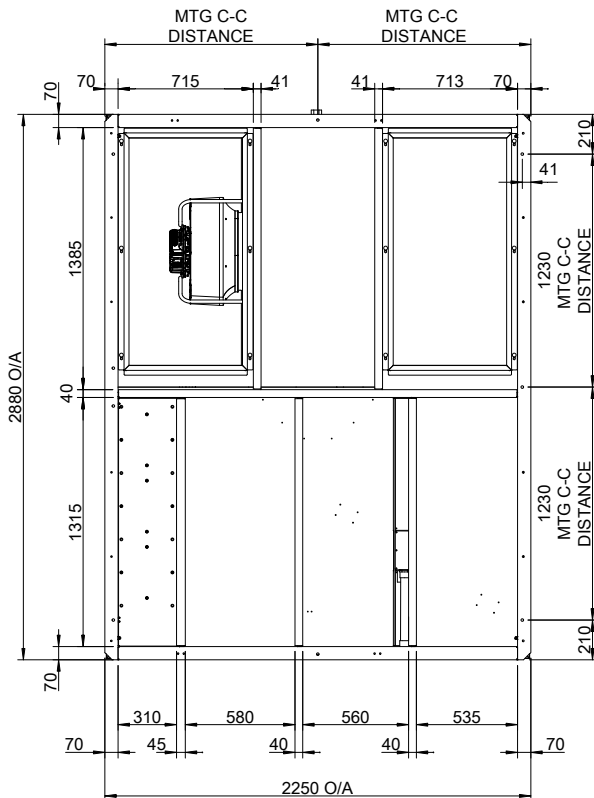
82.24 kW
3 Phase
Tri-Capacity

SERVICE ACCESS AREAS AND AIRFLOW CLEARANCES



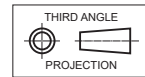
- * For reverse handing, service clearance for plug fan and airflow clearance for hood will be reversed.
- ** If the optional hood is not installed, 500 mm clearance is required for service access.

UNIT BASE DIMENSIONS



NOTES:

1. Do not scale drawing. All dimensions are in mm unless specified. Refer to corresponding unit dimensional drawing for mounting hole details.
2. Service Access Areas and Spaces for Airflow Clearances given above are suggested minimum based on the condition that the spaces around the units are free from any obstructions and a walkway passage of 1000 mm between the units or between the unit and the outside perimeter is available.
3. Minimum service access areas and spaces for airflow clearances are responsibilities of the installer, ActronAir will not be held liable for any extra charges incurred due to lack of access and space for airflow.
4. Under all circumstances, condenser air must not recirculate back onto condenser coil. Keep all clearance free of any obstructions.
5. Maximum External Static of Outdoor Fans is 20 Pa.
6. STACKING OF UNITS: Ensure that minimum airflow and clearances are met.
7. MTG C-C DIST = Mounting Centre to Centre Distance.
8. Use M12 bolt for feet mounting.
9. LH / RH refers to Left Hand or Right Hand location of supply air.
10. Diagrams are left handing.



Outdoor Radiated

Sound Power Level (SWL)

Fan Speed	Sound Power Level dB(A)	Octave Band Centre Frequency (Hz), dB						
		125	250	500	1k	2k	4k	8k
Low	78.0	84.3	77.8	75.1	72.8	69.3	59.7	54.3
High	83.0	89.1	82.6	80.4	78.1	73.9	63.5	60.1

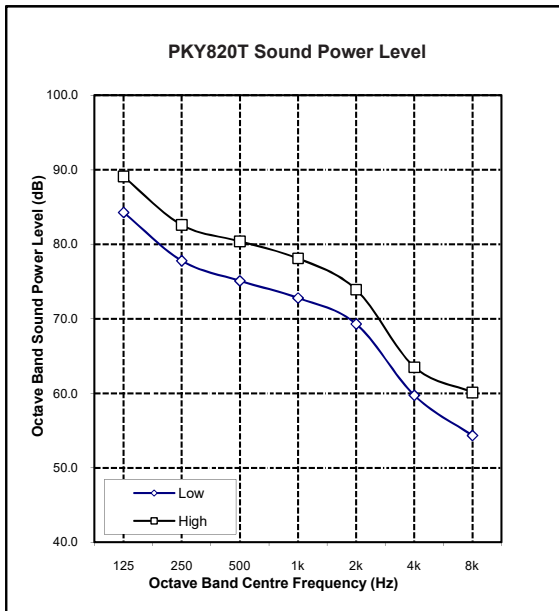
Indoor Outlet

Sound Power Level (SWL)

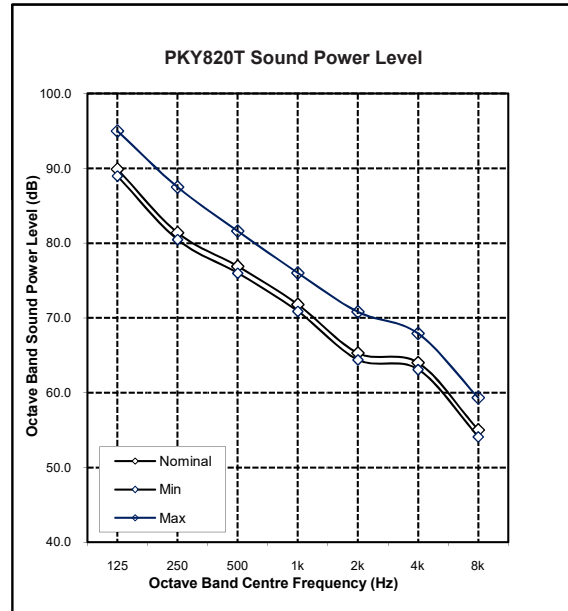
Airflow Setting	Airflow Li/s	Sound Power Level dB(A)	Octave Band Centre Frequency (Hz), dB						
			125	250	500	1k	2k	4k	8k
Minimum	3200	79.3	89.0	80.5	76.0	70.9	64.4	63.1	54.1
Nominal	4000	80.2	89.9	81.4	76.9	71.8	65.3	64.0	55.0
Maximum	4800	85.2	95.0	87.5	81.6	76.0	70.8	67.9	59.3

82.24 kW
3 Phase
Tri-Capacity

OUTDOOR RADIATED



INDOOR OUTLET



NOTES:

Radiated sound power levels are based on ISO 3743-1.



SPECIFICATIONS

PKY820T

CONSTRUCTION	
Cabinet Base	1.6 - 2.4 mm Galvanised Steel
Cabinet Top and Sides	0.9 - 1.2 mm Galvanised Steel
SURFACE FINISH	65 μ Baked Polyester Powder Coat

INSULATION	
TYPE	Foil Faced Polyethylene

SOUND LEVEL * dB(A)	
SOUND PRESS. - Low / High	61.0 / 66.0
SOUND POWER LEVEL - Low / High	78.0 / 83.0
* Sound data is based on the outdoor fan's manufacturer sound level data.	

ELECTRICAL	
POWER SUPPLY - 50 Hz	400 Volts x 3 Phase + Neutral
VOLTAGE RANGE (min - max)	376 V - 440 V
FULL LOAD AMPS * - Phase 1	67.0
FULL LOAD AMPS * - Phase 2 & 3	67.0 & 67.0
RATED LOAD AMPS**	50.6
APPROX. STARTING AMPS	111.0
IP RATING	IP44

IMPORTANT - The local electricity authority may require limits on starting current and voltage drop, please check prior to purchase.

* Full Load Amps are based on Compressor and Fan Motor's maximum expected current.

** Rated Load Amps are measured and tested in accordance with AS/NZS3823.1.2.

CABLE SIZE & CIRCUIT BREAKER SIZE	
Suggested minimum cable size should be used as a guide only, refer to AS/NZS 3000 "Australian/New Zealand Wiring Rules" for more details.	
CABLE SIZE (Main Line)	25.0 mm ² (SUGGESTED MINIMUM)
CIRCUIT BREAKER SIZE - AMPS	80.0 (D-Curve Breaker)

OUTDOOR COIL	
TUBE TYPE	Copper - Rifle Bore
FIN TYPE	Aluminium - Wave
FACE AREA (m sqr) - Coil 1 & 2	1.87 & 3.75
FIN SPACING (per m) - Coil 1 & 2	630 & 630
COIL COATING	Blue Epoxy Coat Coil Fin Protection

OUTDOOR FAN	
NUMBER OF FANS x TYPE	3 x Axial Low Noise
NUMBER OF BLADES PER FAN	5
INPUT kW / FULL LOAD AMPS	0.54 / 2.79 each fan
MOTOR TYPE / DRIVE TYPE	6 Pole External Rotor / Direct
FAN SPEED CONTROL	2 Speed via Capacitor

The standard type outdoor fans fitted to this unit will accept up to 20 Pa of external static resistance.

INDOOR COIL	
TUBE TYPE	Copper - Rifle Bore
FIN TYPE	Aluminium - Louvre
FACE AREA (m sqr)	2.61 (interlaced)
FIN SPACING (per m)	591
COIL COATING	Blue Epoxy Coat Coil Fin Protection

INDOOR FAN	
NUMBER OF FANS x TYPE	2 x Backward Curve Plug Fan
INPUT kW / FULL LOAD AMPS	1.23 / 4.43 each fan
MOTOR TYPE / DRIVE TYPE	Variable Speed EC Motor / Direct Drive

COMPRESSOR	
NUMBER PER UNIT x TYPE	3 x Scroll (Hermetic)
FULL LOAD AMPS (each)	16.4
LOCKED ROTOR AMPS (each)	111.0
STARTING METHOD	D.O.L. (optional soft starter)

REFRIGERATION SYSTEM	
REFRIGERANT TYPE	R-410A
EXPANSION CONTROL-TYPE x NO. PER UNIT	Bi-Flow TXV (Thermostatic Valve) x 3
FACTORY CHARGE (each comp.)	8,300 grams

FILTER DRIER	
CONNECTION SIZE & TYPE (each comp.)	15.9 mm (5/8") ODF - Soldered
FACTORY SUPPLIED / FITTED	No
See Installation Section for complete Filter Drier specifications.	

PROTECTION DEVICES	
HIGH PRESSURE CUTOOUT SWITCH	Nonadjustable (Automatic Reset)
LOW PRESSURE CUTOOUT SWITCH	Nonadjustable (Automatic Reset)
COMPRESSOR MOTOR TEMP.	Internal Thermal Cut-Out
INDOOR FAN OVERLOAD	Full Electronic Monitoring
OUTDOOR FAN OVERLOAD	Internal Thermal Cut-Out
SUMP HEATER WATTS (each comp.)	50

ELECTRIC CONTROLS	
DEFROST METHOD	Reverse Cycle
DEFROST TYPE	Adaptive Demand Defrost
CONTROL CIRCUIT BREAKER	16.0 Amps
OPTIONAL THIRD PARTY BMS / CONTROLLER INPUTS	MODBUS 485 BACNET 485 BACNET TCP / IP 0-10VDC / 24VAC Third Party Input

OPERATING RANGE
It is essential that the unit is correctly sized for the application and operates within its recommended range of operating conditions as shown below.

MODE	RANGE	INDOOR AIR INTAKE TEMPERATURE	OUTDOOR AIR INTAKE TEMPERATURE
Cooling	Max.	29°C DB / 19°C WB	50°C DB
	Min.	20°C DB / 15°C WB	15°C DB
Heating	Max.	24°C DB	21°C DB / 16°C WB
	Min.	16°C DB	-10°C DB

IMPORTANT - Lower ambient available on request.
Contact your nearest ActronAir office for more details.

AIR FILTER PROVISION	
All return air including fresh air must have adequate filters supplied and fitted by the installing contractor. Filters are to be located in the return air filter retainer in the unit or in accessible location between the return air grille and the unit.	
FILTER RAILS FITTED (Filters not Supplied)	
FILTER SIZE - H x W x T (mm)	594 x 492 x 96
QUANTITY	9

3 Phase
Tri-Capacity

82.24 kW



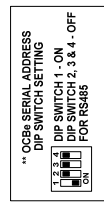
WIRING DIAGRAM

PKY820T

82.24 kW
3 Phase **Tri-Capacity**

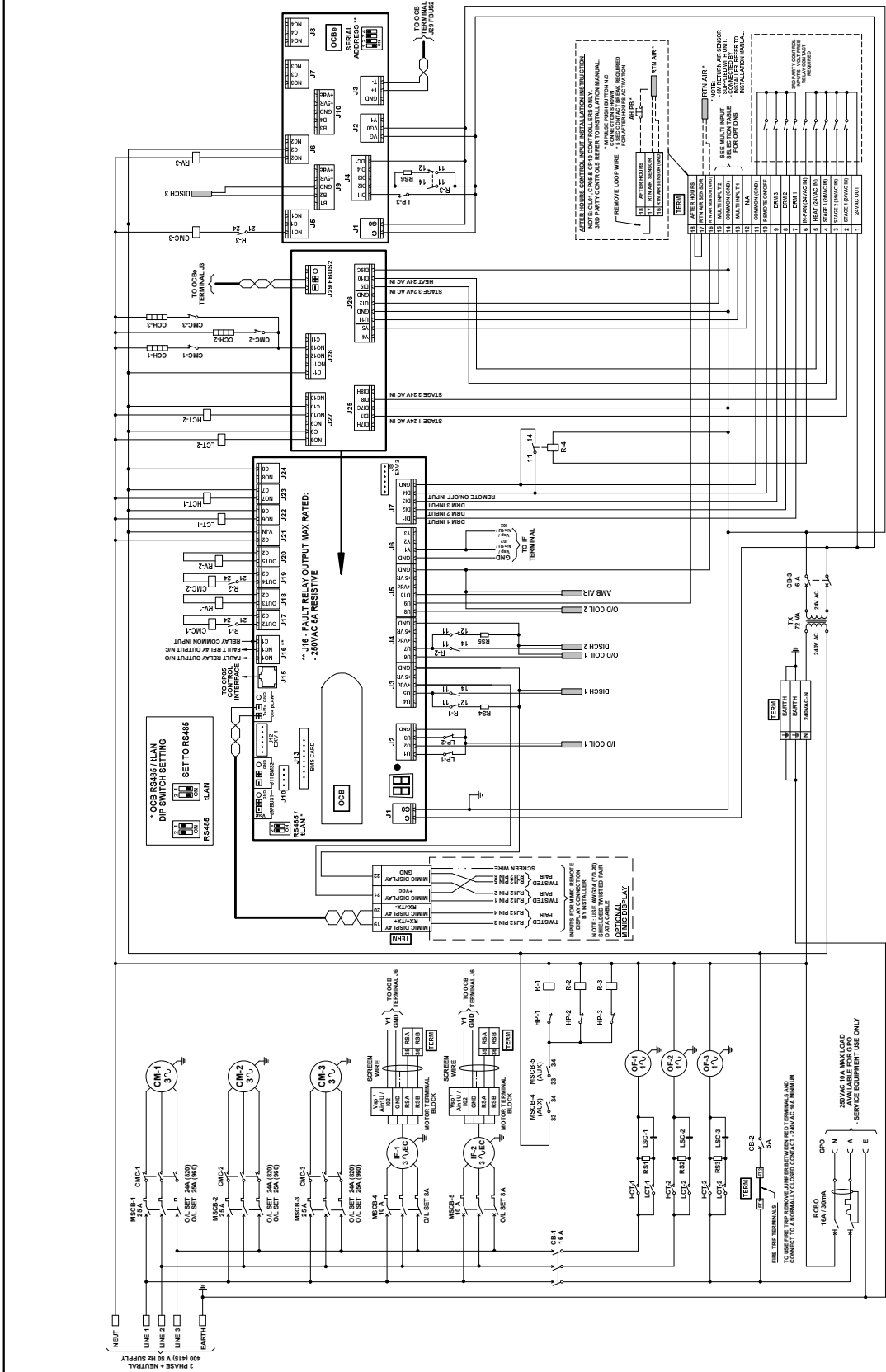
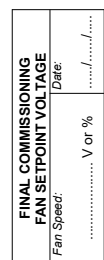
LEGEND

AH-PB	AFTER HOURS PUSH BUTTON
CB	CIRCUIT BREAKER
CCH	CRANKCASE HEATER
CM	COMPRESSOR MOTOR
CMC	COMPRESSOR MOTOR CONTACTOR
GPO	GENERAL PURPOSE OUTLET
HCT	HIGH PRESSURE CONTACTOR
HP	HIGH PRESSURE SWITCH
IF	INDOOR FAN MOTOR
LCT	LOW SPEED FAN CONTACTOR
LP	LOW PRESSURE SWITCH
LSC	LOW SPEED CAPACITOR
MSCB	MOTOR START CIRCUIT BREAKER / OL
OF	OUTDOOR FAN MOTOR
OCB	OUTDOOR CONTROL BOARD
OCBe	OUTDOOR CONTROL BOARD EXPANSION
R	RELAY
RV	REVERSING VALVE
RS	RESISTOR
RCBO	RESIDUAL CURRENT CIRCUIT BREAKER / OL
TERM	TERMINAL STRIP
TX	TRANSFORMER



MULTI INPUT SELECTION TABLE

MULTI INPUT MATRIX	DESCRIPTION	TYPE
A	SUPPLY AIR TEMP	SENSOR
B	ECONOMY MODE	DIGITAL INPUT
C	NIGHT MODE	DIGITAL INPUT
D	COMP STAGE CONTROL	0-10V ANALOGUE
E	IN-FAN SPEED CONTROL	0-10V ANALOGUE



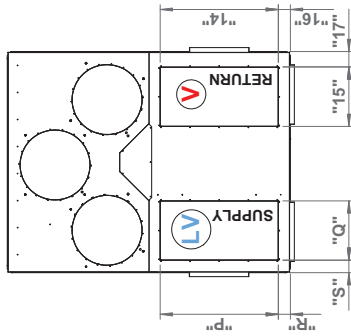
		Base Model No: PKY820-960T	Variation Code: STANDARD
		Description: CM100 & CX10 TRI-CAPACITY CONTROL SYSTEM WIRING DIAGRAM	
Rev. A	Description	By PCR	Date 21-03-2023
Rev. B	CHANGED TERMINAL DESC'S FOR ID FAN TO ALLOW DIFFERENT MANUFACTURERS CONNECTIONS. REMOVE DEFAULT FAN SPEED SETTINGS TABLE SET ID FAN OIL TO 6A	By JL	Date 21-03-2023
Rev. A3	Approved: RL	Drawn: RL	Date: 12-11-2018
Revision B	Approved: RL	Drawing No: 0515-9203	Date: 21-03-2023
ORIGINAL			

SUPPLY OUTLET DIMENSIONS

	LF			LD			LS						LV					
	A	B	C	D	E	F	G	H	J	K	L	M	N	P	Q	R	S	
PKY470-540	653	583	404	117	653	583	266	170	201	683	583	418	303	583	300	120	120	
PKY620-700	653	583	525	117	653	583	266	170	201	683	583	524	303	653	583	265	118	
PKY820-960	1203	605	469	115	1254	651	98	102	203	1203	605	467	423	1203	605	122	127	

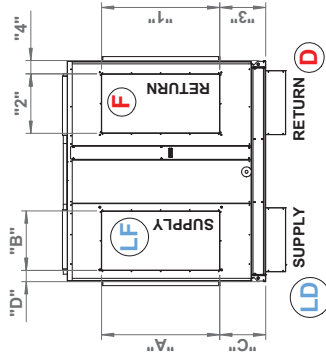
RETURN INLET DIMENSIONS

	F			D			S						V					
	1	2	3	4	5	6	7	8	9	10	11	12	13	14	15	16	17	
PKY470-540	903	703	292	98	903	703	142	106	201	903	703	360	252	903	703	140	100	
PKY620-700	903	703	385	98	903	703	142	106	201	903	703	385	252	903	703	140	100	
PKY820-960	1203	605	469	136	1254	651	98	102	203	1203	605	467	423	1203	605	122	157	

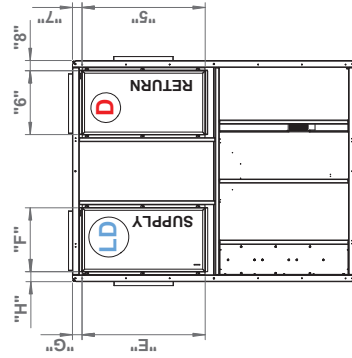


- NOTE: UNIT VIEWED FROM AIR HANDLING END**
- SIZE AND POSITION OF RETURN & SUPPLY ARE INDICATIVE ONLY, SEE TABLE FOR ACTUAL SIZE AND POSITION FOR EACH PARTICULAR MODEL
 - ALL FLANGES ARE OUTSIDE DIMENSIONS
 - ALL FLANGES ARE RAW EDGE EXCEPT FOR DOWN SUPPLY (LD) & DOWN RETURN (D) ON PKY820-960 WHICH HAVE A 26mm INTERNAL RETURN FLANGE.
 - ALL DIMENSIONS ARE FROM OUTSIDE EDGE OF BASE

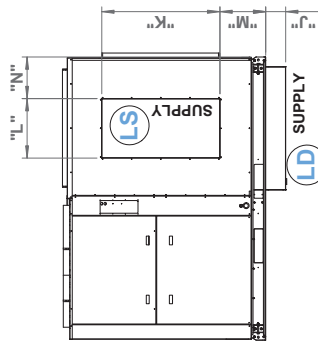
TOP VIEW



END VIEW



BOTTOM VIEW



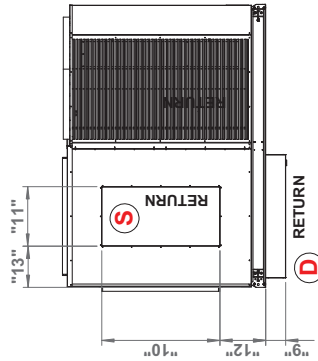
LH SIDE

LEGEND FOR SUPPLY POSITIONS

- LD = LEFT DOWN SUPPLY
- LF = LEFT FRONT SUPPLY
- LS = LEFT SIDE SUPPLY
- LV = LEFT VERTICAL SUPPLY

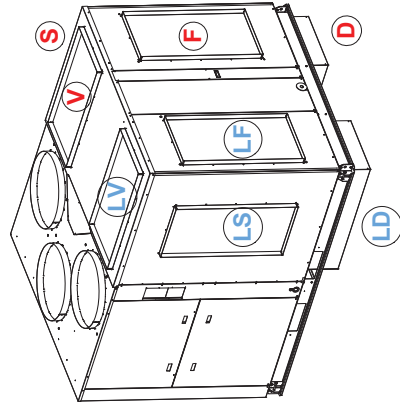
LEGEND FOR RETURN POSITIONS

- D = RIGHT DOWN RETURN
- F = RIGHT FRONT RETURN
- S = RIGHT SIDE RETURN
- V = RIGHT VERTICAL RETURN



RH SIDE

STANDARD PKY470-960T SUPPLY & RETURN LT VARIATIONS**



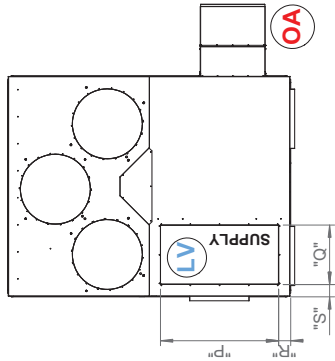
82.24 kW
3 Phase Tri-Capacity

SUPPLY OUTLET DIMENSIONS

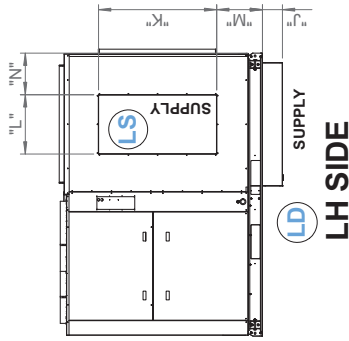
	LF			LD			LS						LV				
	A	B	C	D	E	F	G	H	J	K	L	M	N	P	Q	R	S
PKY470-540	653	583	404	117	653	583	266	170	201	683	583	418	303	583	300	300	120
PKY620-700	653	583	524	117	653	583	266	170	201	683	583	524	303	653	583	265	118
PKY820-960	1203	605	469	116	1254	651	98	102	203	1203	605	467	423	1203	605	122	127

RETURN INLET DIMENSIONS

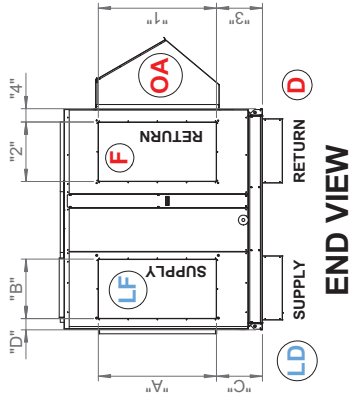
	F			D			OA						
	1	2	3	4	5	6	7	8	9	18	19	20	21
PKY470-540	903	703	295	80	NA	NA	NA	NA	NA	1197	557	138	227
PKY620-700	903	703	385	97	NA	NA	NA	NA	NA	1197	557	248	227
PKY820-960	1203	605	469	136	1254	651	98	102	203	1258	668	441	255



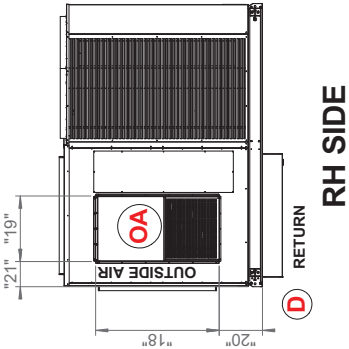
TOP VIEW



LH SIDE



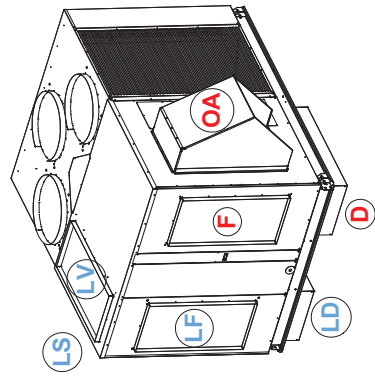
END VIEW



RH SIDE



BOTTOM VIEW



NOTE:
ON MODELS PKY470T TO PKY700T ECONOMISER ie "OUTSIDE AIR" IS NOT AVAILABLE AS A STANDARD OPTION WITH A "DOWN RETURN" ONLY AVAILABLE WITH A "FRONT RETURN" AS STANDARD.
A VR REQUEST CAN BE MADE FOR SPECIAL CONFIGURATION OF OUTSIDE AIR.

STANDARD PKY470-960T SUPPLY & RETURN LT-E VARIATIONS**

LEGEND FOR SUPPLY POSITIONS
LD = LEFT DOWN SUPPLY
LF = LEFT FRONT SUPPLY
LS = LEFT SIDE SUPPLY
LV = LEFT VERTICAL SUPPLY

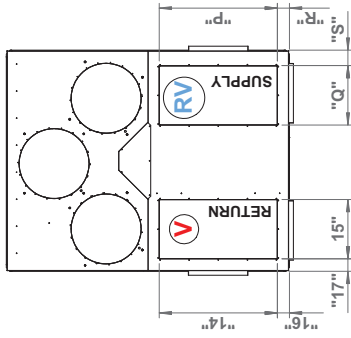
LEGEND FOR RETURN POSITIONS
D = RIGHT DOWN RETURN
F = RIGHT FRONT RETURN
OA = OUTSIDE AIR RETURN
NOTE: WEATHERHOOD IS AN OPTION

SUPPLY OUTLET DIMENSIONS

	RF					RD					RS					RV				
	A	B	C	D	E	F	G	H	J	K	L	M	N	P	Q	R	S			
PKY470-540	653	583	404	117	653	583	266	170	201	683	583	418	303	583	653	300	120			
PKY620-700	653	583	524	117	653	583	266	170	201	683	583	524	303	653	583	265	118			
PKY820-960	1203	605	469	115	1254	651	98	102	203	1203	605	467	423	1203	605	122	127			

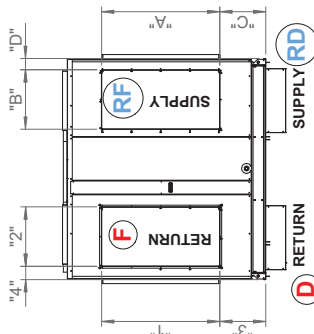
RETURN INLET DIMENSIONS

	F					D					S					V				
	1	2	3	4	5	6	7	8	9	10	11	12	13	14	15	16	17			
PKY470-540	903	703	292	98	903	703	142	106	201	903	703	360	252	903	703	140	100			
PKY620-700	903	703	385	98	903	703	142	106	201	903	703	385	252	903	703	140	100			
PKY820-960	1203	605	469	136	1254	651	98	102	203	1203	605	467	422	1203	605	122	157			



- NOTE: UNIT VIEWED FROM AIR HANDLING END
- SIZE AND POSITION OF RETURN & SUPPLY ARE INDICATIVE ONLY; SEE TABLE FOR ACTUAL SIZE AND POSITION FOR EACH PARTICULAR MODEL
- ALL FLANGES ARE OUTSIDE DIMENSIONS
- ALL FLANGES ARE RAW EDGE EXCEPT FOR DOWN SUPPLY (RD) & DOWN RETURN (D) ON PKY820-960 WHICH HAVE A 26mm INTERNAL RETURN FLANGE.
- ALL DIMENSIONS ARE FROM OUTSIDE EDGE OF BASE

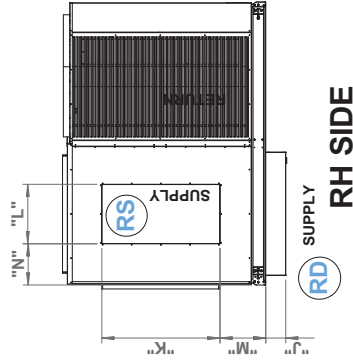
TOP VIEW



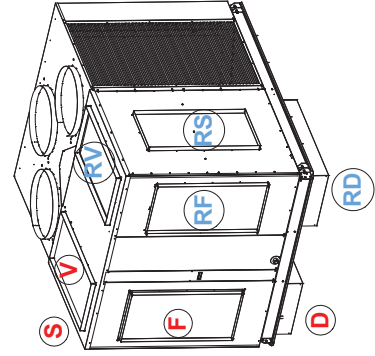
END VIEW



BOTTOM VIEW



RH SIDE



STANDARD PKY470-960T
SUPPLY & RETURN
R**T VARIATIONS

LEGEND FOR SUPPLY POSITIONS

- RD = RIGHT DOWN SUPPLY
- RF = RIGHT FRONT SUPPLY
- RS = RIGHT SIDE SUPPLY
- RV = RIGHT VERTICAL SUPPLY

LEGEND FOR RETURN POSITIONS

- D = LEFT DOWN RETURN
- F = LEFT FRONT RETURN
- S = LEFT SIDE RETURN
- V = LEFT VERTICAL RETURN

AIR HANDLING VARIATIONS

PKY820T

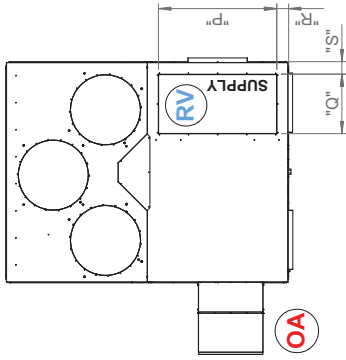
82.24 kW
3 Phase Tri-Capacity

SUPPLY OUTLET DIMENSIONS

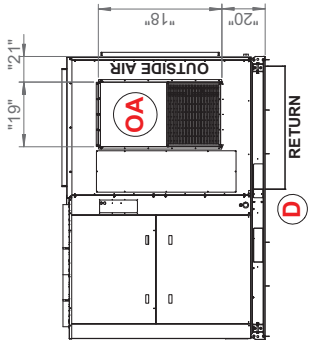
	RF			RD													RV		
	A	B	C	D	E	F	G	H	J	K	L	M	N	P	Q	R	S		
PKY470-540	653	583	404	117	653	583	266	170	201	683	583	418	303	583	653	300	120		
PKY620-700	653	583	524	117	653	583	266	170	201	683	583	524	303	653	583	265	118		
PKY820-960	1203	605	469	115	1254	651	98	102	203	1203	605	467	423	1203	605	122	127		

RETURN INLET DIMENSIONS

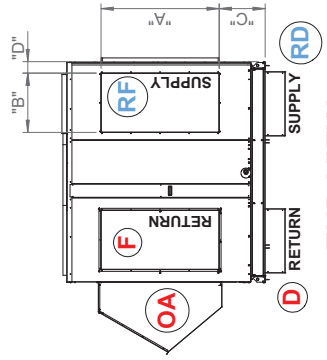
	D													OA		
	1	2	3	4	5	6	7	8	9	18	19	20	21			
PKY470-540	903	703	295	80	NA	NA	NA	NA	NA	1197	557	138	227			
PKY620-700	903	703	385	97	NA	NA	NA	NA	NA	1197	557	248	227			
PKY820-960	1203	605	469	136	1254	651	98	102	203	1258	668	441	255			



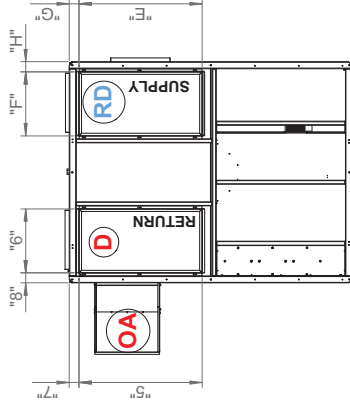
TOP VIEW



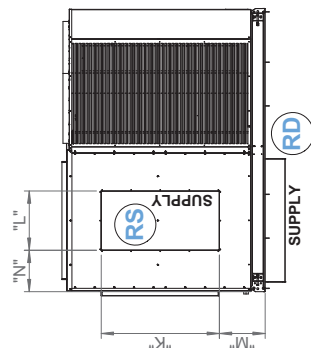
LH SIDE



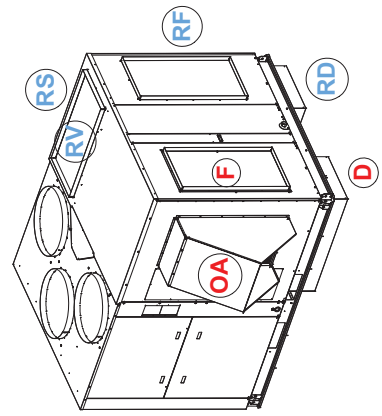
END VIEW



BOTTOM VIEW



RH SIDE



STANDARD PKY470-960T
SUPPLY & RETURN
R**T-E VARIATIONS

- NOTE: UNIT VIEWED FROM AIR HANDLING END
- SIZE AND POSITION OF RETURN & SUPPLY ARE INDICATIVE ONLY. SEE TABLE FOR ACTUAL SIZE AND POSITION FOR EACH PARTICULAR MODEL
- ALL FLANGES ARE OUTSIDE DIMENSIONS
- ALL FLANGES ARE RAW EDGE EXCEPT FOR DOWN SUPPLY (LD) & DOWN RETURN (D) ON PKY820-960 WHICH HAVE A 26mm INTERNAL RETURN FLANGE.
- ALL DIMENSIONS ARE FROM OUTSIDE EDGE OF BASE

LEGEND FOR SUPPLY POSITIONS

- RD = RIGHT DOWN SUPPLY
- RF = RIGHT FRONT SUPPLY
- RS = RIGHT SIDE SUPPLY
- RV = RIGHT VERTICAL SUPPLY

LEGEND FOR RETURN POSITIONS

- D = LEFT DOWN RETURN
 - F = LEFT FRONT RETURN
 - OA = OUTSIDE AIR RETURN
- NOTE: WEATHERHOOD IS AN OPTION

NOTE:
ON MODELS PKY470T TO PKY700T ECONOMISER ie "OUTSIDE AIR" IS NOT AVAILABLE AS A STANDARD OPTION WITH A "DOWN RETURN" ONLY AVAILABLE WITH A "FRONT RETURN" AS STANDARD.
A VR REQUEST CAN BE MADE FOR SPECIAL CONFIGURATION OF OUTSIDE AIR.