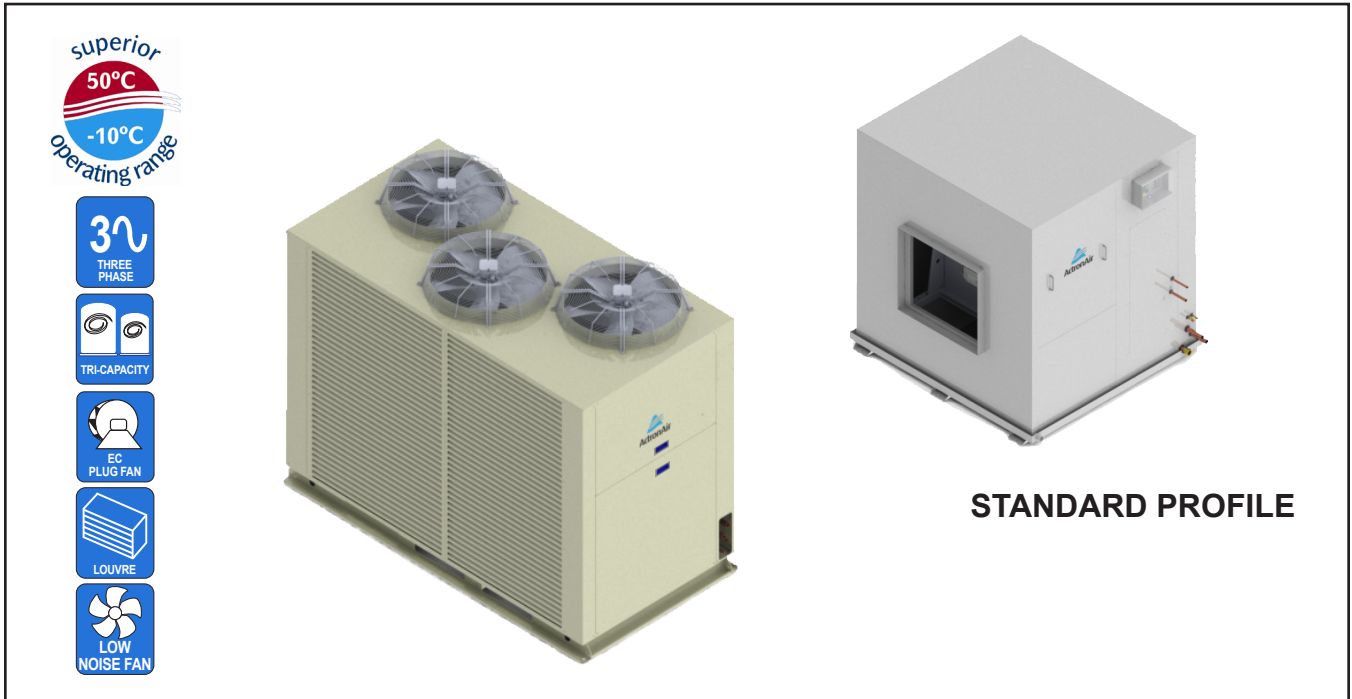


TRI-CAPACITY SPLIT DUCTED UNIT



STANDARD PROFILE

UNIT FEATURES

- Compliant Scroll Compressors
- Tri-Capacity 33% 67% 100% Capacity Stages
- Quad Thermostatic Expansion Valves
- Pre-charged with R-410A Refrigerant
- Two Speed Outdoor Fans
- Hydrophilic Blue Coat Coil Fin Protection - Indoor and Outdoor Coils
- Louvred Outdoor Coil Guard
- External Stainless Steel Screws - Outdoor Unit
- Adaptive Demand Defrost
- EC Variable Speed Backward Curve Plug Fan
- Adjustable Indoor Airflow via Control Interface
- Foil Faced Polyethylene Insulation
- Integrated Condensate Safety Drain Tray

UNIT OPTIONS

- Low Ambient / High Static Outdoor Fans
- ⁽⁹⁾Economy Starter Kit
- Compressor Soft Starters
- Phase Protection
- Additional Full Coil Coat Protection

CONTROL FEATURES

ActronAir CP05 / CP10

- Auto / Cool / Heat / Fan Only Modes
- 7-Day Time Clock with 2 On/Off Events per Day
- 12 Programmable Special Days with 2 On/Off Events per Day
- Daylight Saving Time Function
- Indoor Coil Anti-Freeze Protection
- HP / LP Safety Protection
- Alarm Fault Data Logger
- LCD Screen Displays Operating Status, Mode & Menu Information
- Night Mode Function

CONTROL OPTIONS

ActronAir CL01-2 (BCA Compliant) - Purchased Separately

- Available in White or Grey
- 7-Day Time Clock with 2 On/Off Events per Day

Optional BMS Control - Purchased Separately

- MODBUS 485 / BACNET 485 / BACNET TCP/IP

Optional 3rd Party Control Inputs - Standard Inclusion

- 0-10VDC / 24VAC / Volt Free Digital Input

UNIT COMPLIANCE

- MEPS 2012
- Demand Response AS4755.3.1:2012
- EMC Compliant
- BCA Compliant with CL01-2 Control Interface

SPECIFICATION SUMMARY

OUTDOOR UNIT MODEL	CAY620T	
INDOOR UNIT MODEL	EVY620T	
	⁽¹⁾ TOTAL	⁽²⁾ NETT
⁽³⁾ COOLING CAPACITY (kW)	63.00	60.80
⁽³⁾ SENSIBLE CAPACITY (kW)	47.80	45.60
⁽⁴⁾ HEATING CAPACITY (kW)	60.00	62.47
⁽⁵⁾ COOLING INPUT POWER (kW)	20.50	
⁽⁵⁾ HEATING INPUT POWER (kW)	20.15	
EER	3.07	2.97
COP	2.98	3.10
⁽⁶⁾ INDOOR AIRFLOW (l/s) - MIN. / NOMINAL / MAX.	2500 / 3200 / 3900	
OUTDOOR SOUND PRESS. LEVEL @ 3M dB(A) - LOW / HIGH	59.0 / 64.0	
OUTDOOR SOUND POWER LEVEL dB(A) - LOW / HIGH	76.0 / 81.0	
POWER SUPPLY - OUTDOOR	400V / 3Ph+N / 50Hz	
POWER SUPPLY - INDOOR	400V / 3Ph+N / 50Hz	
⁽²⁾ RATED LOAD AMPS - OUTDOOR / INDOOR / TOTAL	35.7 / 3.5 / 39.2	
⁽⁷⁾ FULL LOAD AMPS - OUTDOOR / INDOOR / TOTAL	47.9 / 6.0 / 53.9	
⁽⁸⁾ CIRCUIT BREAKER AND CABLE AMPS	63.0	
APPROXIMATE STARTING AMPS	140.0	
WEIGHT (kg) - INDOOR / OUTDOOR	340 / 577	

- ⁽¹⁾ Based on unit rating excluding indoor fan kW.
- ⁽²⁾ Measured and tested in accordance with AS/NZS 3823.1.2.
- ⁽³⁾ At 27°C DB / 19°C WB entering air temperatures and 35°C ambient.
- ⁽⁴⁾ At 20°C DB entering air temperature and 7°C DB / 6°C WB ambient.
- ⁽⁵⁾ Input power includes indoor fan kW.
- ⁽⁶⁾ Max. - Min. airflow application range.
- ⁽⁷⁾ Full Load Amps are based on compressor and fan motors' maximum expected current.
- ⁽⁸⁾ See Specifications sheet for cable size and circuit breaker size details.
- ⁽⁹⁾ Room Air Sensor needs to be relocated by the installer specific to site requirements.

Note: Use input power to estimate running cost.

3 Phase
Tri-Capacity

63.00 kW



CAPACITY SELECTION DATA

CAY620T / EVY620T

COOLING PERFORMANCE

AIR ENTERING		TOTAL CAPACITY kW	TOTAL SENSIBLE CAPACITY - kW											
OUTDOOR DB - °C	INDOOR WB - °C		AT DB TEMPERATURE ONTO INDOOR COIL - °C											
			20	21	22	23	24	25	26	27	28	29	30	
25	16	64.28	38.67	41.88	44.61	47.65	50.60	53.49						
	17	65.64	35.37	38.59	41.75	44.93	47.55	50.53	53.42					
	18	67.23	31.96	35.23	38.44	41.64	44.80	47.43	50.43	53.36	56.27			
	19	69.16	28.52	31.84	35.12	38.34	41.46	44.65	47.29	50.35	53.25	56.21	59.03	
	20	71.01	25.09	28.42	31.67	34.94	38.14	41.33	44.48	47.45	50.21	53.15	56.10	
	21	72.88		17.40	28.19	31.49	34.72	37.96	41.18	44.31	47.42	50.04	53.03	
22	75.11			24.72	28.01	31.31	34.57	37.80	40.99	44.14	47.25	49.85		
30	16	61.53	37.51	40.67	43.40	46.43	49.35	52.24						
	17	62.93	34.18	37.41	40.58	43.60	46.36	49.33	52.21					
	18	64.42	30.81	34.07	37.29	40.45	43.63	46.27	49.23	52.14	55.02			
	19	66.27	27.42	30.69	33.97	37.17	40.32	43.46	46.15	49.15	52.08	54.97		
	20	68.15	23.98	27.27	30.55	33.80	37.02	40.18	43.33	46.00	49.00	51.95	54.87	
	21	69.82		23.81	27.08	30.38	33.63	36.85	40.04	43.18	46.31	48.86	51.80	
22	71.92			23.62	26.94	30.20	33.45	36.69	39.86	43.00	46.09	48.71		
35	16	58.94	36.20	39.31	42.08	45.07	48.00	50.79						
	17	59.92	32.88	36.07	39.26	41.96	45.01	47.97	50.76					
	18	61.30	29.52	32.80	35.98	39.12	42.17	44.94	47.89	50.79				
	19	63.00	26.14	29.38	32.67	35.91	39.04	42.18	44.81	47.80	50.69	53.56		
	20	64.77	22.70	25.99	29.27	32.55	35.77	38.89	42.03	44.68	47.71	50.65	49.77	
	21	66.35		22.54	25.86	29.14	32.39	35.60	38.76	41.85	44.53	47.57	49.56	
22	68.35			22.41	25.71	28.97	32.22	35.43	38.60	41.73	44.85	46.57		
40	16	56.11	34.69	37.89	40.55	43.58	46.43							
	17	56.62	31.45	34.64	37.78	40.52	43.54	46.43						
	18	57.77	28.11	31.34	34.57	37.70	40.42	43.44	46.40	49.22				
	19	59.40	24.75	28.02	31.27	34.48	37.61	40.31	43.34	46.34	49.20			
	20	61.02	21.31	24.61	27.92	31.15	34.36	37.48	40.59	43.26	46.25	49.13	51.91	
	21	62.49		21.21	24.50	27.73	30.95	34.22	37.34	40.45	43.10	46.13	49.03	
22	64.38			21.02	24.35	27.61	30.87	34.08	37.21	40.29	42.95	45.99		
45	16	52.91	33.10	35.89	38.93	41.91								
	17	52.94	29.88	33.04	36.22	38.89	41.89	44.74						
	18	53.95	26.57	29.79	32.98	36.11	38.81	41.82	44.71					
	19	55.38	23.22	26.49	29.71	32.90	36.01	38.70	41.73	44.70	47.46			
	20	56.84	19.79	23.10	26.36	29.60	32.78	35.91	38.61	41.64	44.59	47.47		
	21	58.24		19.69	22.99	26.26	29.50	32.68	35.79	38.88	41.52	44.50	47.40	
22	59.96			19.57	22.82	26.14	29.34	32.57	35.68	38.75	41.40	44.38		
50	16	49.31	31.35	34.13	37.13	40.04								
	17	49.34	28.17	31.30	34.06	37.12	40.04							
	18	49.78	24.88	28.11	31.23	34.02	37.05	40.03						
	19	50.93	21.54	24.79	28.02	31.17	34.24	36.96	39.96	42.85				
	20	52.22	18.13	21.44	24.70	27.92	31.08	34.16	36.86	39.87	42.79			
	21	53.61		18.04	21.31	24.58	27.83	30.96	34.07	36.77	39.77	42.70	45.55	
22	55.02			17.92	21.18	24.44	27.67	30.87	33.93	36.65	39.66	42.59		

HEATING PERFORMANCE

WB TEMP ON OD COIL - °C	HEATING CAPACITY - kW									
	AT DB ENTERING INDOOR - °C									
	16		18		20		22		24	
	TH	IH	TH	IH	TH	IH	TH	IH	TH	IH
-10	39.33	36.97	39.17	36.82	38.98	36.64	38.82	36.49	38.65	36.33
-8	41.67	38.75	41.48	38.58	41.28	38.39	41.10	38.22	40.89	38.03
-6	44.08	40.55	43.86	40.35	43.68	40.18	43.46	39.98	43.21	39.76
-4	46.65	41.75	46.43	41.56	46.19	41.34	45.92	41.10	45.66	40.86
-2	49.35	42.93	49.07	42.69	48.78	42.44	48.49	42.19	48.23	41.96
0	52.15	44.85	51.86	44.60	51.53	44.32	51.21	44.04	50.91	43.78
2	54.87	48.83	54.51	48.51	54.17	48.21	53.81	47.89	53.46	47.58
4	57.80	54.91	57.39	54.52	57.01	54.16	56.57	53.75	56.19	53.38
6	60.89	60.89	60.41	60.41	60.00	60.00	59.58	59.58	59.04	59.04
8	64.14	64.14	63.63	63.63	63.20	63.20	62.66	62.66	62.11	62.11
10	67.63	67.63	67.06	67.06	66.45	66.45	65.88	65.88	65.30	65.30
12	71.16	71.16	70.58	70.58	69.93	69.93	69.25	69.25	68.55	68.55
14	74.92	74.92	74.22	74.22	73.49	73.49	72.77	72.77	72.10	72.10
16	78.88	78.88	78.12	78.12	77.44	77.44	76.62	76.62	75.80	75.80
18	82.90	82.90	82.17	82.17	81.34	81.34	80.45	80.45	79.56	79.56

TH - Total Heating Capacity (kW).
IH - Integrated Heating Capacity (kW)
Includes defrost losses.

AIRFLOW CORRECTION MULTIPLIER

% VARIATION	-22%	-15%	-10%	-5%	NOMINAL	+5%	+10%	+15%	+22%
INDOOR AIRFLOW (l/s)	2500	2720	2880	3040	3200	3360	3520	3680	3900
TOTAL COOLING	0.956	0.972	0.982	0.991	1.000	1.008	1.016	1.023	1.032
SENSIBLE COOLING	0.884	0.919	0.947	0.974	1.000	1.026	1.051	1.077	1.109
HEATING FACTOR	0.985	0.990	0.993	0.997	1.000	1.001	1.003	1.005	1.007

NOTES:

- No allowance has been made for the effect of indoor fan motor.
- Selection tables are based on nominal airflows. Correction factors must be applied for selection away from these conditions.

PIPE LENGTH CORRECTION MULTIPLIER

	5 m	10 m	20 m	30 m	40 m	50 m	60 m	70 m	75 m
COOLING	1.000	0.996	0.974	0.985	0.966	0.955	0.945	0.937	0.932
HEATING	1.000	1.000	1.000	1.000	1.000	1.000	1.000	1.000	1.000

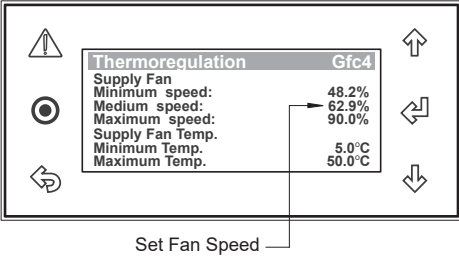
Correction multipliers are based on horizontal pipe runs.



FAN PERFORMANCE DATA

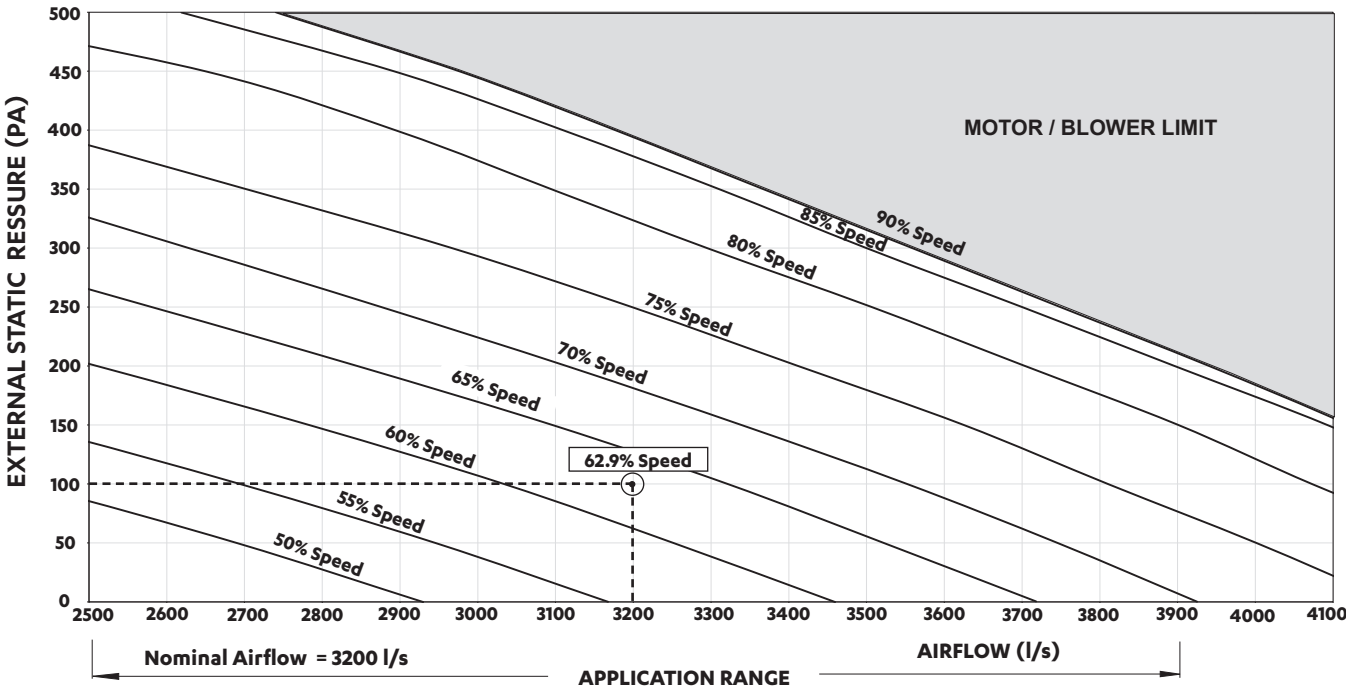
Airflow (l/s)	External Static Pressure (Pa)																			
	50		100		150		200		250		300		350		400		450		500	
	% Spd	W	% Spd	W	% Spd	W	% Spd	W	% Spd	W	% Spd	W	% Spd	W	% Spd	W	% Spd	W	% Spd	W
2500	48.2	869	51.5	1030	56.1	1269	59.9	1505	63.8	1765	67.9	2028	72.0	2297	75.8	2579	78.8	2875	83.2	3310
2600	49.2	905	53.3	1107	57.5	1350	61.3	1596	65.3	1864	69.5	2134	73.5	2398	76.8	2683	79.6	2973	84.6	3490
2700	50.2	941	55.1	1188	58.9	1435	62.8	1694	66.9	1965	71.1	2239	75.0	2495	77.8	2792	81.1	3096	88.1	3550
2800	52.2	1023	56.6	1275	60.3	1523	64.3	1792	68.6	2073	72.6	2346	76.1	2627	78.9	2913	83.2	3235		
2900	54.1	1106	58.0	1357	61.9	1623	66.0	1900	70.4	2191	74.1	2468	77.2	2751	80.1	3032	85.5	3372		
3000	55.9	1196	59.5	1446	63.5	1725	67.8	2013	71.9	2303	75.4	2580	78.5	2869	82.6	3198				
3100	57.5	1284	61.2	1548	65.1	1830	69.7	2133	73.4	2406	76.9	2703	80.1	3001	84.8	3371				
3200	59.1	1368	62.9	1652	67.1	1945	71.4	2238	75.0	2509	78.4	2854	82.4	3192						
3300	60.9	1480	64.6	1764	69.2	2059	73.1	2355	76.6	2676	80.1	3044	84.8	3363						
3400	62.7	1594	66.8	1887	71.1	2184	74.8	2486	78.3	2850	82.4	3188								
3500	64.5	1708	68.9	2010	72.8	2315	76.4	2641	79.9	3009	85.0	3342								
3600	66.7	1837	70.9	2144	74.6	2452	78.1	2802	82.4	3155										
3700	69.0	1975	72.8	2277	76.4	2603	79.9	2961	85.0	3315										
3800	71.1	2107	74.8	2411	78.2	2769	82.5	3130												
3900	73.1	2244	76.6	2578	80.0	2952	85.4	3292												

NOTES:
 % Speed = Indoor Fan Speed Control Setting, in percent
 (Value is set on the Control Interface via Service Menu *).
 W = Indoor Fan Power, Watts
 [] - Data in the box indicates Factory Default Setting.
 *Service → Service Settings → Thermoregulation → Thermoregulation Gfc4



3 Phase
Tri-Capacity
63.00 kW

INDOOR UNIT FAN CURVE



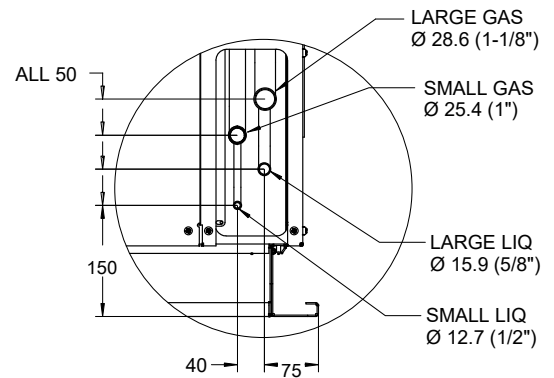
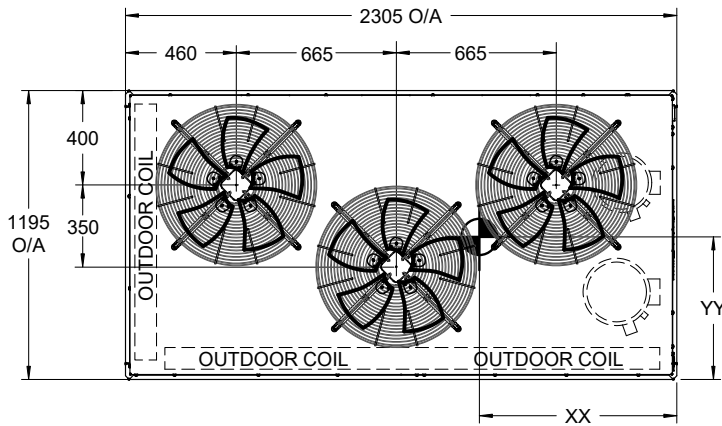
NOTE
 Fan Performance Data and Fan Curve shown is at dry coil and with no air filters installed. Consider external static pressure drop specific to your design requirements. Airflow should be reduced with respect to the moisture content in the air. Please review filter manufacturer for application. 2.5 m/s face velocity point will occur outside the application range.



OUTDOOR UNIT DIMENSIONS

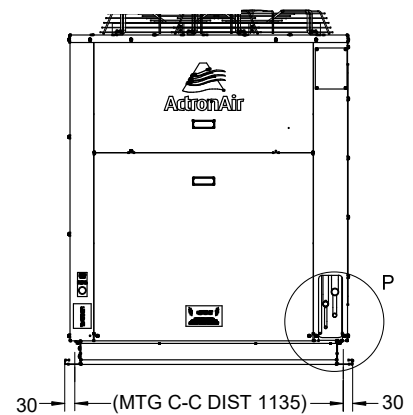
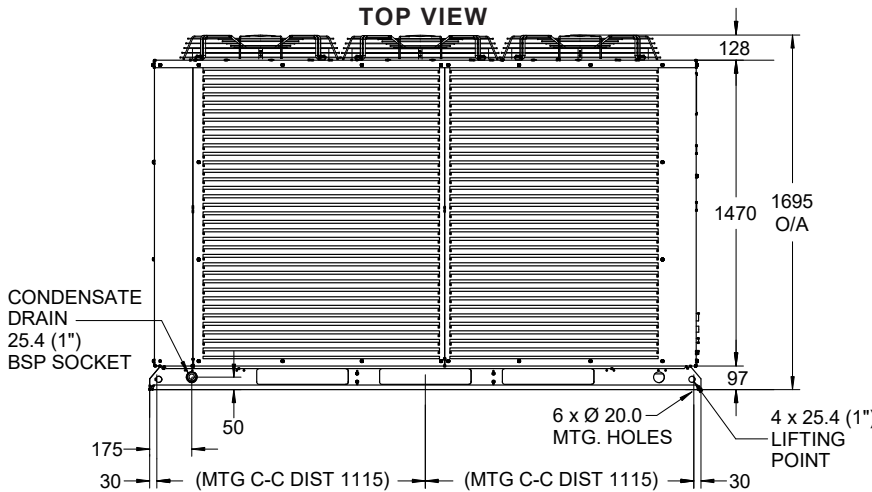
CAY620T

OVERALL NOMINAL DIMENSION (H x W x D)
= 1695 x 2305 x 1195



TOP VIEW

DETAIL P

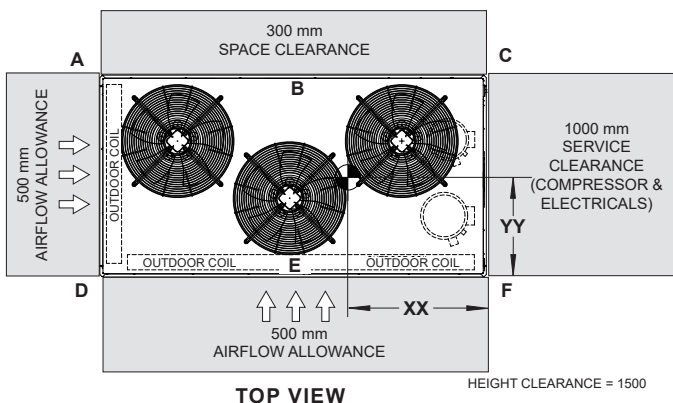


SIDE VIEW

FRONT VIEW

UNIT MODEL NUMBER	UNIT WEIGHT	CORNER WEIGHTS (kg)						CENTRE OF GRAVITY	
		A	B	C	D	E	F	XX	YY
CAY620T	577	68	65	121	93	93	137	931	569

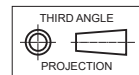
SERVICE ACCESS AREAS & AIRFLOW ALLOWANCES



TOP VIEW

HEIGHT CLEARANCE = 1500

NOTES:



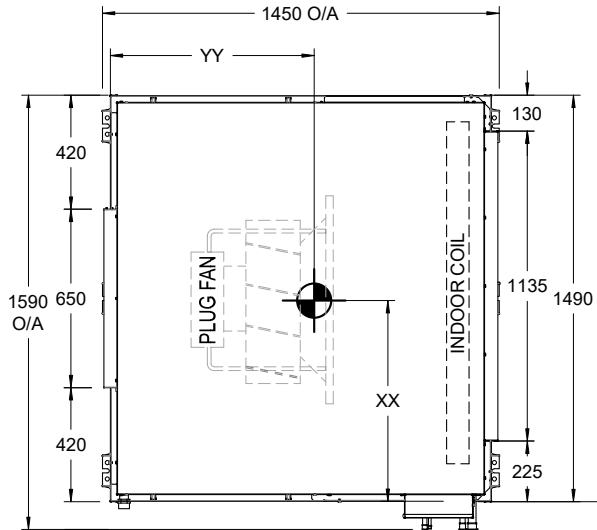
- Do not scale drawing. All dimensions are in mm unless otherwise specified. Refer to corresponding unit dimensional drawing for mounting hole details.
- Service Access Areas and Spaces for Airflow Clearances are suggested minimum based on the condition that the spaces around the units are free from any obstructions and a walkway passage of 1000 mm between the units or between the unit and the outside perimeter is available.
- Minimum service access areas and spaces for airflow clearances are responsibilities of the installer, ActronAir will not be held liable for any extra charges incurred due to lack of access and space for airflow.
- Under all circumstances, condenser air must not recirculate back onto condenser coil. Keep all clearance free of any obstruction.
- STACKING OF UNITS: Ensure that minimum airflow and clearances are met.
- Refer to Pipe Connection Details on Specifications Sheet.
- MTG C-C DIST = Mounting Centre to Centre Distance.
- Use M12 bolt for feet mounting.



63.00 kW
3 Phase
Tri-Capacity

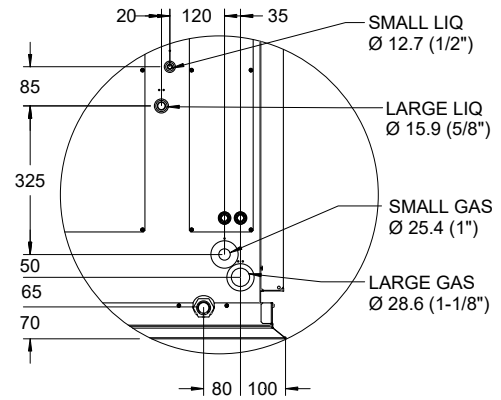
INDOOR UNIT DIMENSIONS

EVY620T

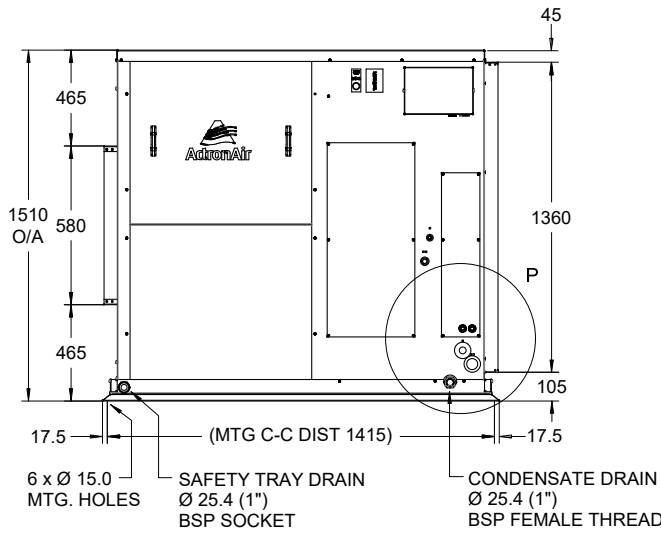


TOP VIEW

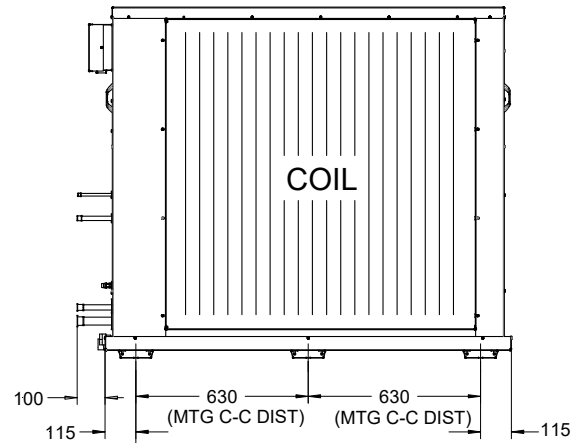
DIMENSION (H x W x D) = 1510 x 1590 x 1450
 SUPPLY DUCT (H x W) = 580 x 650
 RETURN DUCT = 1360 x 1135
 USE M12 BOLT FOR FEET MOUNTING



DETAIL P



FRONT VIEW

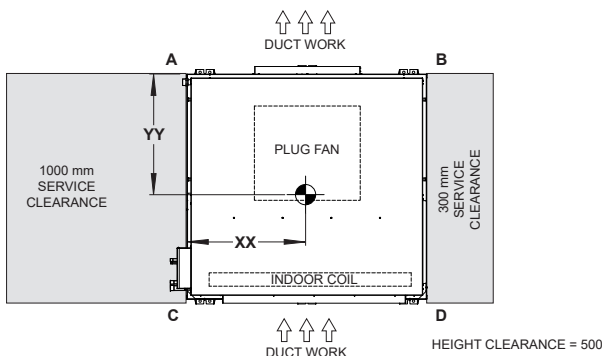


SIDE VIEW

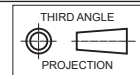
3 Phase
 Tri-Capacity
 63.00 kW

UNIT MODEL NUMBER	UNIT WEIGHT	CORNER WEIGHTS (kg)				CENTRE OF GRAVITY	
		A	B	C	D	XX	YY
EVY620T	340	79	79	91	91	730	771

SERVICE ACCESS AREAS & AIRFLOW ALLOWANCES



TOP VIEW



NOTES:

- Do not scale drawing. All dimensions are in mm unless otherwise specified. Refer to corresponding unit dimensional drawing for mounting hole details.
- Service Access Areas and Spaces for Airflow Clearances are suggested minimum based on the condition that the spaces around the units are free from any obstructions and a walkway passage of 1000 mm between the units or between the unit and the outside perimeter is available.
- Minimum service access areas and spaces for airflow clearances are responsibilities of the installer, ActronAir will not be held liable for any extra charges incurred due to lack of access and space for airflow.



Outdoor Radiated

Sound Power Level (SWL)

Fan Speed	Sound Power Level dB(A)	Octave Band Centre Frequency (Hz), dB						
		125	250	500	1k	2k	4k	8k
Low	76.0	83.3	73.3	73.4	70.5	64.7	56.8	52.0
High	81.0	88.6	78.8	77.3	75.3	70.2	62.3	57.0

Indoor Outlet

Sound Power Level (SWL)

Airflow Setting	Airflow Li/s	Sound Power Level dB(A)	Octave Band Centre Frequency (Hz), dB						
			125	250	500	1k	2k	4k	8k
Minimum	2500	71.2	75.5	72.6	69.2	64.9	60.7	56.5	53.6
Nominal	3200	77.9	82.5	79.5	76.1	71.5	67.0	64.4	58.2
Maximum	3900	83.2	87.2	85.2	81.5	76.6	71.8	69.8	63.0

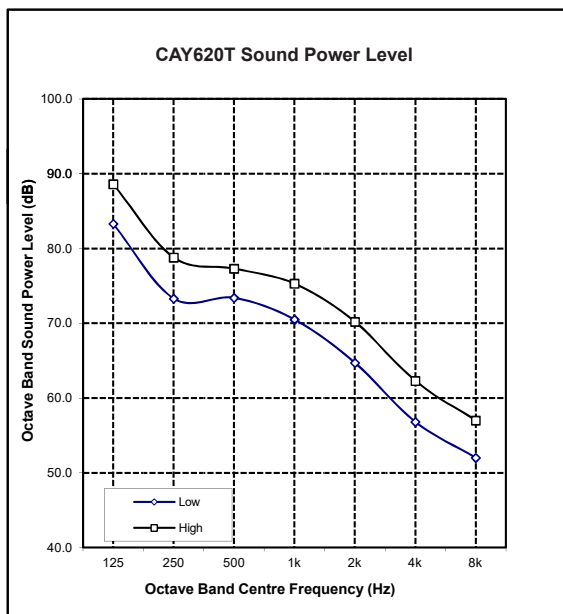
Indoor Inlet + Radiated

Sound Power Level (SWL)

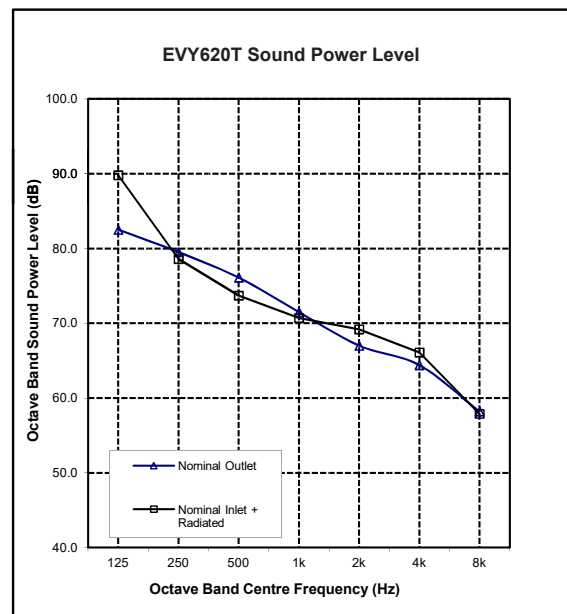
Airflow Setting	Airflow Li/s	Sound Power Level dB(A)	Octave Band Centre Frequency (Hz), dB						
			125	250	500	1k	2k	4k	8k
Minimum	2500	72.9	85.1	71.1	67.1	64.4	63.4	58.1	53.5
Nominal	3200	78.7	89.8	78.6	73.7	70.7	69.2	66.1	57.9
Maximum	3900	83.3	91.9	85.0	79.0	76.3	73.5	71.8	63.2

63.00 kW
3 Phase
Tri-Capacity

OUTDOOR RADIATED



INDOOR NOMINAL OUTLET / INLET + RADIATED



NOTES:

Radiated sound power levels are based on ISO 3743-1.



SPECIFICATIONS

CAY620T / EVY620T

CONSTRUCTION

CABINET (INDOOR UNIT)	Base	1.1 - 1.6 mm Galvanised Steel
	Top and Side	1.1 mm Galvanised Steel
CABINET (OUTDOOR UNIT)	Base	1.1 - 2.4 mm Galvanised Steel
	Top and Side	0.9 - 1.1 mm Galvanised Steel
SURFACE FINISH (Outdoor Unit)		65 µ Baked Polyester Powder Coat

INSULATION

INDOOR UNIT	Foil Faced Polyethylene
OUTDOOR UNIT	Foil Faced Polyethylene

ELECTRICAL

OUTDOOR UNIT	
Power Supply - 50 Hz	400 Volts x 3 Phase + Neutral
Voltage Range (min - max)	376 V - 440 V
Full Load Amps*	47.9
Rated Load Amps**	35.7
Approximate Starting Amps	140.0
IP Rating	IP44

INDOOR UNIT	
Power Supply - 50 Hz	400 Volts x 3 Phase + Neutral
Voltage Range (min - max)	376 V - 440 V
Full Load Amps*	6.0
IP Rating	IP20

OUTDOOR & INDOOR UNIT (TOTAL)	
Full Load Amps* - Phase 1	53.9
Full Load Amps* - Phase 2 & 3	53.9 and 53.9
Rated Load Amps**	39.2

IMPORTANT - The local electricity authority may require limits on starting current and voltage drop, please check prior to purchase.

* Full Load Amps are based on Compressor and Fan Motor's maximum expected current.

** Rated Load Amps are measured and tested in accordance with AS/NZS3823.1.2.

CABLE SIZE & CIRCUIT BREAKER SIZE

Suggested minimum cable size should be used as a guide only, refer to the accordance with the latest edition of the AS/NZS 3000 "Australian/New Zealand Wiring Rules" for more details.

Cable Size (main line)	16.0 mm ² (SUGGESTED MINIMUM)
Cable Size (indoor to outdoor wire)	1.5 mm ² (SUGGESTED MINIMUM)
Circuit Breaker Size - Amps	63.0

OUTDOOR COIL

TUBE TYPE	Copper - Rifle Bore
FIN TYPE	Aluminium - Wave
FACE AREA (m sq) - Coil 1 & 2	1.45 & 2.75
FIN SPACING (per m)	472 & 472
COIL COATING	Hydrophilic Blue Coat Coil Fin Protection

OUTDOOR FAN

NUMBER OF FANS x TYPE	3 x Axial Low Noise
NUMBER OF BLADES PER FAN	5
INPUT kW / FULL LOAD AMPS	0.50 / 2.62 each fan
MOTOR TYPE / DRIVE TYPE	6 Pole External Rotor / Direct
FAN SPEED CONTROL	2 Speed via Capacitor

The standard type outdoor fans fitted to this unit will accept up to 20 Pa of external static resistance.

INDOOR COIL

TUBE TYPE	Copper - Rifle Bore
FIN TYPE	Aluminium - Louvre
FACE AREA (m sq)	1.64 (interlaced)
FIN SPACING (per m)	472
COIL COATING	Hydrophilic Blue Coat Coil Fin Protection

INDOOR FAN

NUMBER OF FANS x TYPE	1 x Backward Curve Plug Fan
INPUT kW / FULL LOAD AMPS	2.20 / 6.0
MOTOR TYPE / DRIVE TYPE	Variable Speed EC Motor / Direct Drive

COMPRESSOR

NUMBER PER UNIT x TYPE	2 x Scroll (Hermetic)
FULL LOAD AMPS - (Comp. 1 & 2)	14.3 & 25.5
LOCKED ROTOR AMPS - (Comp. 1 & 2)	101.0 & 140.0
STARTING METHOD	D.O.L. (optional soft starter)

REFRIGERATION SYSTEM

REFRIGERANT TYPE	R-410A
EXPANSION CONTROL	TXV (Thermostatic Valve) x 4
FACTORY CHARGE - Circuit 1 & 2	7,900 grams & 15,400 grams
PRE-CHARGE LENGTH (metres)	5.0
ADDITIONAL REF. CHARGE (Crt. 1 & 2)	100.0 g/m & 165.0 g/m

INTERCONNECTING PIPE RUN

MAX PIPE LENGTH (metres)	75.0	
MAX. VERTICAL LENGTH (metres)	20 (Included in Max. Pipe Length)	
FIELD PIPE SIZES		
Liquid Pipe - (Crt. 1 & 2)	12.7 mm (1/2") & 15.9 mm (5/8")	
Gas Pipe - (Crt. 1 & 2)	25.4 mm (1") & 28.6 mm (1-1/8")	
PIPE CONNECTIONS (Factory Swaged)		
Indoor - (Crt. 1 & 2)	Liquid Pipe	12.7 mm (1/2") & 15.9 mm (5/8")
	Gas Pipe	25.4 mm (1") & 28.6 mm (1-1/8")
Outdoor	Liquid Pipe	12.7 mm (1/2") & 15.9 mm (5/8")
	Gas Pipe	25.4 mm (1") & 28.6 mm (1-1/8")
CONNECTION TYPE	Solder	

FILTER DRIER

CONNECTION SIZE & TYPE (Drier 1)	12.7 mm (1/2") ODF - Soldered
CONNECTION SIZE & TYPE (Drier 2)	15.9 mm (5/8") ODF - Soldered
FACTORY SUPPLIED / FITTED	Yes
See Installation Section for complete Filter Drier specifications.	

PROTECTION DEVICES

HIGH PRESSURE CUTOFF SWITCH	Nonadjustable (Automatic Reset)
LOW PRESSURE CUTOFF SWITCH	Nonadjustable (Automatic Reset)
COMPRESSOR MOTOR TEMP.	Internal Thermal Cut-Out
INDOOR FAN OVERLOAD	Full Electronic Monitoring
OUTDOOR FAN OVERLOAD	Internal Thermal Cut-Out
SUMP HEATER WATTS - (Comp. 1 & 2)	30W & 90W

ELECTRIC CONTROLS

DEFROST METHOD	Reverse Cycle
DEFROST TYPE	Adaptive Demand Defrost
CONTROL CIRCUIT BREAKER	16.0 Amps
OPTIONAL THIRD PARTY BMS / CONTROLLER INPUTS	MODBUS 485 BACNET 485 BACNET TCP/IP 0-10VDC / 24VAC Third Party Input

OPERATING RANGE

It is essential that the unit is correctly sized for the application and operates within its recommended range of operating conditions as shown below.

MODE	RANGE	INDOOR AIR INTAKE TEMPERATURE	OUTDOOR AIR INTAKE TEMPERATURE
Cooling	Max.	29°C DB / 19°C WB	50°C DB
	Min.	20°C DB / 15°C WB	15°C DB
Heating	Max.	24°C DB	21°C DB / 16°C WB
	Min.	16°C DB	-10°C DB

IMPORTANT - For low ambient cooling use option S. Lower ambient available on request. Contact your nearest ActronAir office for more details.

Low Ambient Cooling	Option S	Max.	29°C DB / 19°C WB	50°C DB
		Min.	20°C DB / 15°C WB	5°C DB
	On Request	Max.	29°C DB / 19°C WB	50°C DB
		Min.	20°C DB / 15°C WB	-5°C DB

AIR FILTERS

All return air including fresh air must have adequate filters supplied and fitted by the installing contractor. Filters are to be located in the return air filter retainer in the unit or in accessible location between the return air grille and the unit.

ActronAir does not supply or make any provisions for return air filter

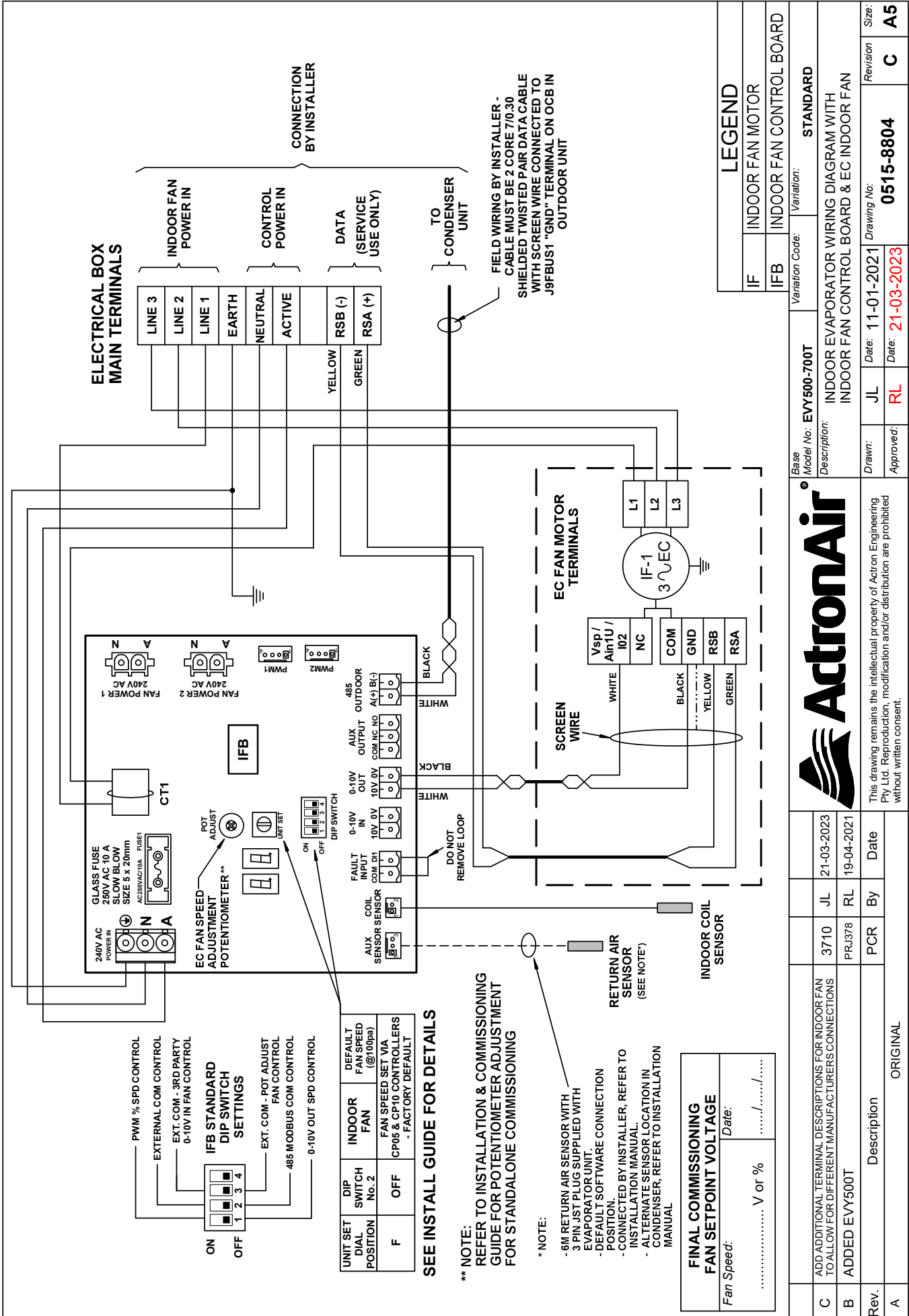
3 Phase
Tri-Capacity

63.00 kW



WIRING DIAGRAM

EVY620T



This drawing remains the intellectual property of Actron Engineering Pty Ltd. Reproduction, modification and/or distribution are prohibited without written consent.

Base Model No:	EVY500-700T	Variation:	STANDARD
Description:	INDOOR EVAPORATOR WIRING DIAGRAM WITH INDOOR FAN CONTROL BOARD & EC INDOOR FAN		
Drawn:	JL	Date:	11-01-2021
Approved:	RL	Date:	21-03-2023
Drawing No:	0515-8804	Revision:	C
Size:	A5		

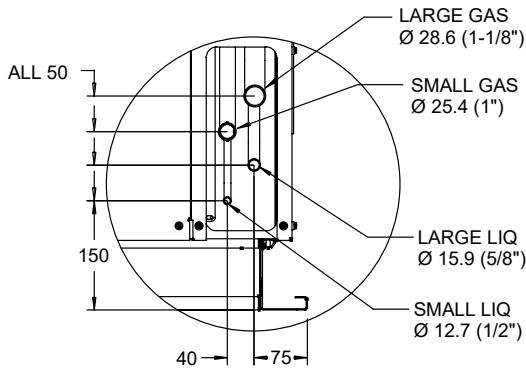
3 Phase Tri-Capacity 63.00 kW

OUTDOOR UNIT VARIATION

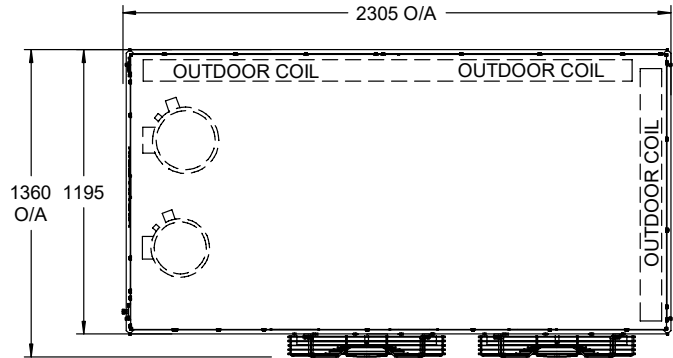
CAY620T-SV

SV SIDE DISCHARGE ELECTRONICALLY COMMUTATED FAN

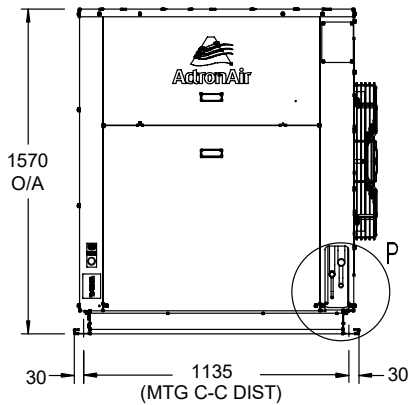
OVERALL NOMINAL DIMENSION (H x W x D)
= 1570 x 2305 x 1360



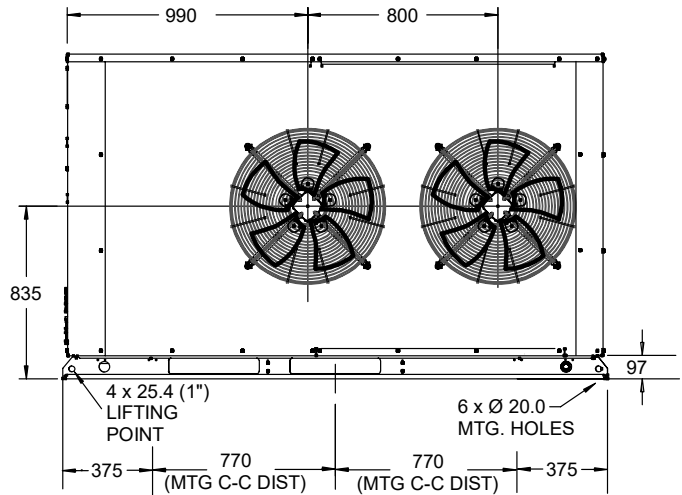
DETAIL P



TOP VIEW

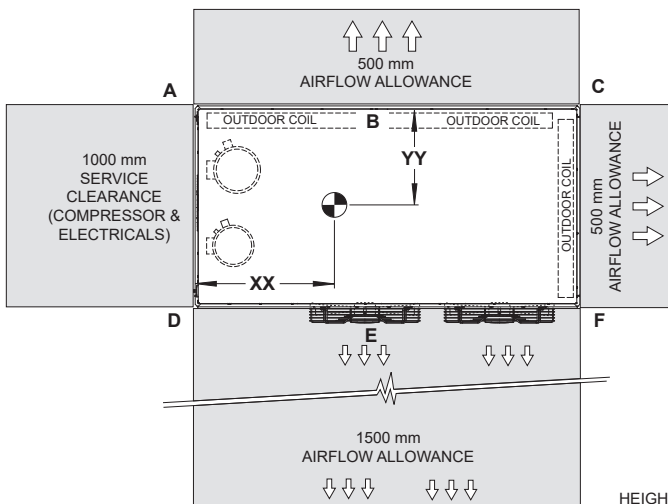


FRONT VIEW



SIDE VIEW

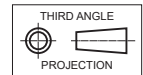
SERVICE ACCESS AREAS



TOP VIEW

HEIGHT CLEARANCE = 600

NOTES:



1. Do not scale drawing. All dimensions are in mm unless otherwise specified. Refer to corresponding unit dimensional drawing for mounting hole details.
2. Service Access Areas and Spaces for Airflow Clearances are suggested minimum based on the condition that the spaces around the units are free from any obstructions and a walkway passage of 1000 mm between the units or between the unit and the outside perimeter is available.
3. Minimum service access areas and spaces for airflow clearances are responsibilities of the installer, ActronAir will not be held liable for any extra charges incurred due to lack of access and space for airflow.
4. Under all circumstances, condenser air must not recirculate back onto condenser coil. Keep all clearance free of any obstruction.
5. STACKING OF UNITS: Ensure that minimum airflow and clearances are met.
6. Refer to Pipe Connection Details on Specifications Sheet.
7. MTG C-C DIST = Mounting Centre to Centre Distance.
8. Use M12 bolt for feet mounting.



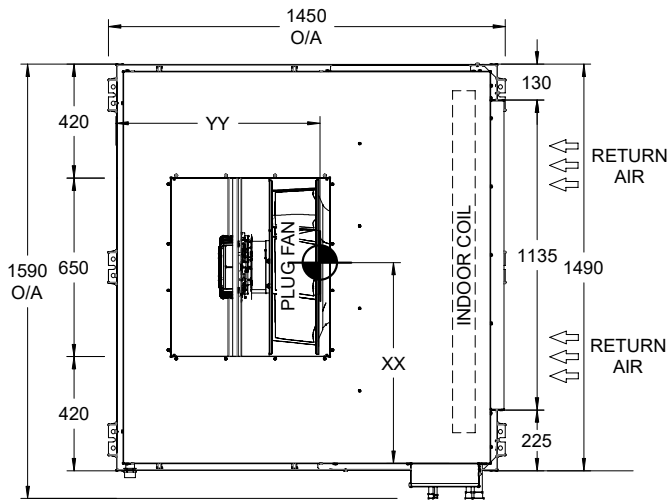
63.00 kW
3 Phase
Tri-Capacity

INDOOR UNIT VARIATION

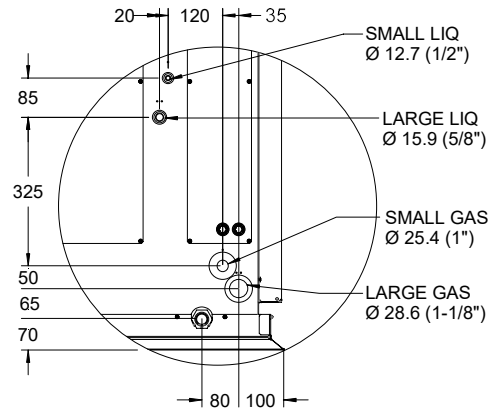
EVY620T-TV

TV TOP DISCHARGE ELECTRONICALLY COMMUTATED FAN

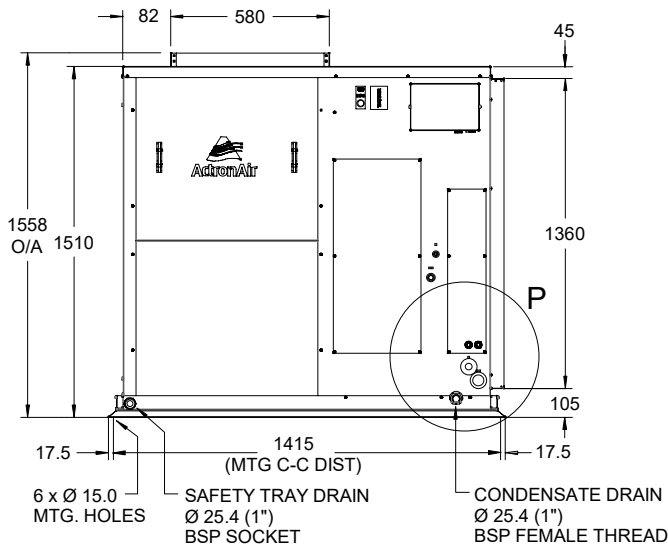
DIMENSION (H x W x D) = 1558 x 1450 x 1450
 SUPPLY DUCT (H x W) = 580 x 650
 RETURN DUCT = 1360 x 1135
 USE M12 BOLT FOR FEET MOUNTING



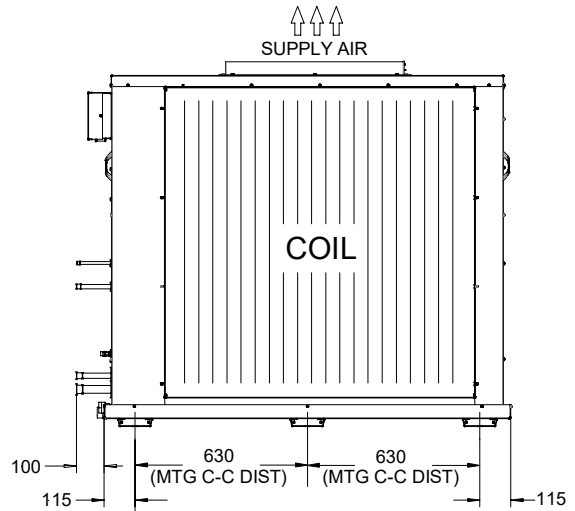
TOP VIEW



DETAIL P



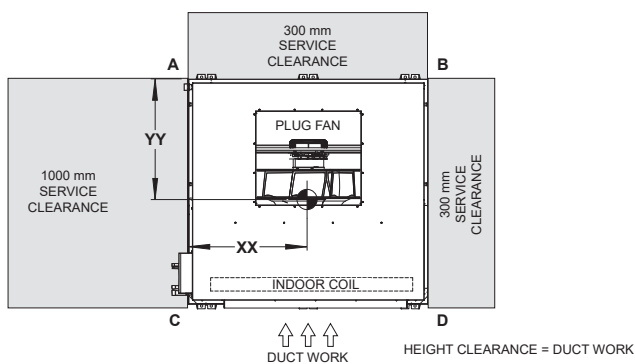
SIDE VIEW



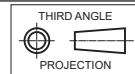
REAR VIEW

UNIT MODEL NUMBER	UNIT WEIGHT	CORNER WEIGHTS (kg)				CENTRE OF GRAVITY	
		A	B	C	D	XX	YY
EVY620T-TV	340	79	79	91	91	730	771

SERVICE ACCESS AREAS



TOP VIEW



NOTES:

1. Do not scale drawing. All dimensions are in mm unless otherwise specified. Refer to corresponding unit dimensional drawing for mounting hole details.
2. Service Access Areas and Spaces for Airflow Clearances are suggested minimum based on the condition that the spaces around the units are free from any obstructions and a walkway passage of 1000 mm between the units or between the unit and the outside perimeter is available.
3. Minimum service access areas and spaces for airflow clearances are responsibilities of the installer, ActronAir will not be held liable for any extra charges incurred due to lack of access and space for airflow.

3 Phase
Tri-Capacity

63.00 kW

