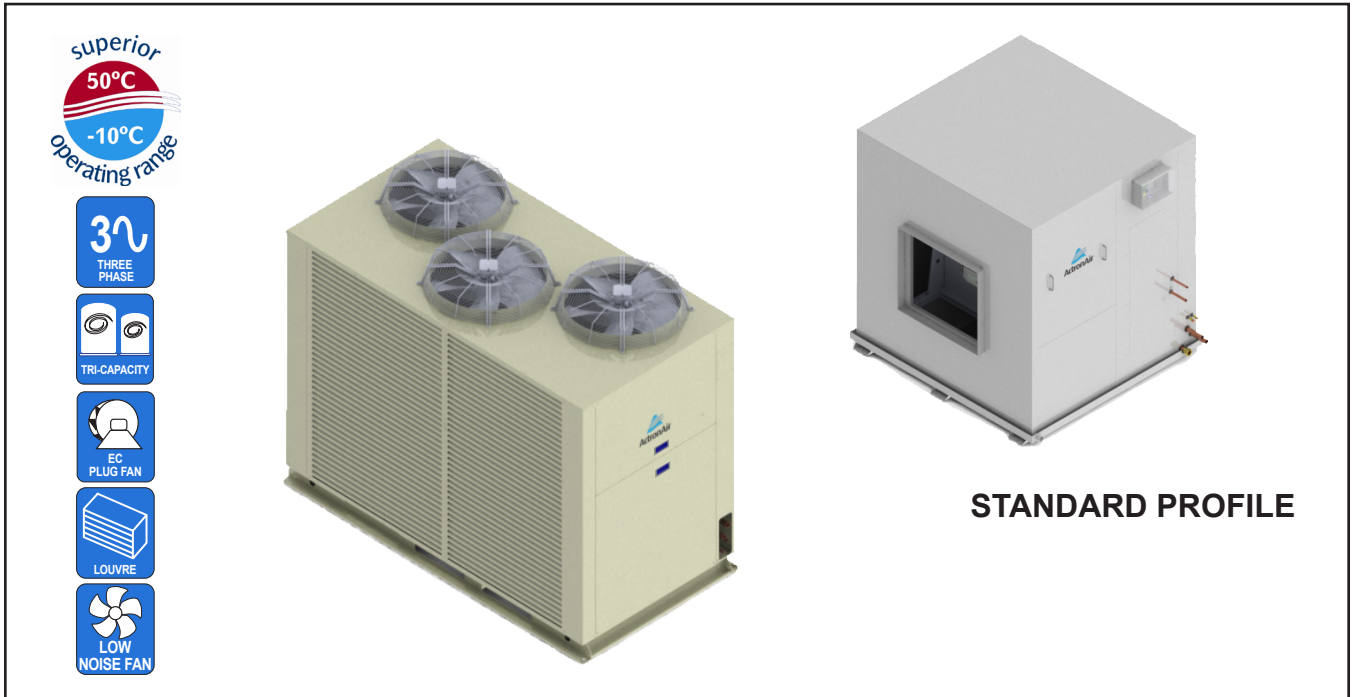


TRI-CAPACITY SPLIT DUCTED UNIT



STANDARD PROFILE

UNIT FEATURES

- Compliant Scroll Compressors
- Tri-Capacity 33% 67% 100% Capacity Stages
- Quad Thermostatic Expansion Valves
- Pre-charged with R-410A Refrigerant
- Two Speed Outdoor Fans
- Hydrophilic Blue Coat Coil Fin Protection - Indoor and Outdoor Coils
- Louvred Outdoor Coil Guard
- External Stainless Steel Screws - Outdoor Unit
- Adaptive Demand Defrost
- EC Variable Speed Backward Curve Plug Fan
- Adjustable Indoor Airflow via Control Interface
- Foil Faced Polyethylene Insulation
- Integrated Condensate Safety Drain Tray

UNIT OPTIONS

- Low Ambient / High Static Outdoor Fans
- ⁽⁹⁾ Economy Starter Kit
- Compressor Soft Starters
- Phase Protection
- Additional Full Coil Coat Protection

CONTROL FEATURES

ActronAir CP05 / CP10

- Auto / Cool / Heat / Fan Only Modes
- 7-Day Time Clock with 2 On/Off Events per Day
- 12 Programmable Special Days with 2 On/Off Events per Day
- Daylight Saving Time Function
- Indoor Coil Anti-Freeze Protection
- HP / LP Safety Protection
- Alarm Fault Data Logger
- LCD Screen Displays Operating Status, Mode & Menu Information
- Night Mode Function

CONTROL OPTIONS

ActronAir CL01-2 (BCA Compliant) - Purchased Separately

- Available in White or Grey
- 7-Day Time Clock with 2 On/Off Events per Day

Optional BMS Control - Purchased Separately

- MODBUS 485 / BACNET 485 / BACNET TCP/IP

Optional 3rd Party Control Inputs - Standard Inclusion

- 0-10VDC / 24VAC / Volt Free Digital Input

UNIT COMPLIANCE

- MEPS (GEMS Determination 2020)
- Demand Response AS4755.3.1:2012
- EMC Compliant
- BCA Compliant with CL01-2 Control Interface

SPECIFICATION SUMMARY

OUTDOOR UNIT MODEL	CAY700T	
INDOOR UNIT MODEL	EVY700T	
	⁽¹⁾ TOTAL	⁽²⁾ NETT
⁽³⁾ COOLING CAPACITY (kW)	71.70	69.20
⁽³⁾ SENSIBLE CAPACITY (kW)	56.48	53.98
⁽⁴⁾ HEATING CAPACITY (kW)	69.00	71.50
⁽⁵⁾ COOLING INPUT POWER (kW)	23.20	
⁽⁵⁾ HEATING INPUT POWER (kW)	23.50	
EER	3.09	2.98
COP	2.94	3.04
⁽⁶⁾ INDOOR AIRFLOW (l/s) - MIN. / NOMINAL / MAX.	2800 / 3600 / 4100	
OUTDOOR SOUND PRESS. LEVEL @ 3M dB(A) - LOW / HIGH	59.0 / 64.0	
OUTDOOR SOUND POWER LEVEL dB(A) - LOW / HIGH	76.0 / 81.0	
POWER SUPPLY - OUTDOOR	400V / 3Ph+N / 50Hz	
POWER SUPPLY - INDOOR	400V / 3Ph+N / 50Hz	
⁽²⁾ RATED LOAD AMPS - OUTDOOR / INDOOR / TOTAL	40.6 / 4.5 / 45.1	
⁽⁷⁾ FULL LOAD AMPS - OUTDOOR / INDOOR / TOTAL	54.5 / 6.0 / 60.5	
⁽⁸⁾ CIRCUIT BREAKER AND CABLE AMPS	80.0	
APPROXIMATE STARTING AMPS	174.0	
WEIGHT (kg) - INDOOR / OUTDOOR	340 / 604	

- ⁽¹⁾ Based on unit rating excluding indoor fan kW.
- ⁽²⁾ Measured and tested in accordance with AS/NZS 3823.1.2.
- ⁽³⁾ At 27°C DB / 19°C WB entering air temperatures and 35°C ambient.
- ⁽⁴⁾ At 20°C DB entering air temperature and 7°C DB / 6°C WB ambient.
- ⁽⁵⁾ Input power includes indoor fan kW.
- ⁽⁶⁾ Max. - Min. airflow application range.
- ⁽⁷⁾ Full Load Amps are based on compressor and fan motors' maximum expected current.
- ⁽⁸⁾ See Specifications sheet for cable size and circuit breaker size details.
- ⁽⁹⁾ Room Air Sensor needs to be relocated by the installer specific to site requirements.

Note: Use input power to estimate running cost.

3 Phase
Tri-Capacity

71.70 kW



CAPACITY SELECTION DATA

CAY700T / EVY700T

COOLING PERFORMANCE

AIR ENTERING		TOTAL CAPACITY kW	TOTAL SENSIBLE CAPACITY - kW													
OUTDOOR DB - °C	INDOOR WB - °C		AT DB TEMPERATURE ONTO INDOOR COIL - °C													
			20	21	22	23	24	25	26	27	28	29	30			
25	16	73.16	45.67	49.47	52.70	56.30	59.79	63.22								
	17	74.70	41.76	45.57	49.31	53.07	56.18	59.70	63.13							
	18	76.51	37.72	41.60	45.39	49.19	52.92	56.04	59.59	63.06	66.50					
	19	78.71	33.66	37.59	41.46	45.27	48.97	52.74	55.87	59.49	62.93	66.43	69.77			
	20	80.82	29.59	33.53	37.38	41.25	45.04	48.82	52.55	56.06	59.33	62.81	66.30			
	21	82.94		20.49	33.27	37.17	41.00	44.83	48.64	52.34	56.03	59.12	62.67			
22	85.48			29.15	33.05	36.96	40.82	44.64	48.42	52.14	55.83	59.90				
30	16	70.02	44.30	48.04	51.27	54.85	58.32	61.73								
	17	71.63	40.36	44.17	47.93	51.50	54.77	58.28	61.69							
	18	73.32	36.36	40.23	44.04	47.77	51.54	54.67	58.17	61.61	65.02					
	19	75.43	32.35	36.22	40.11	43.89	47.62	51.34	54.52	58.07	61.54	64.97				
	20	77.57	28.27	32.18	36.06	39.91	43.71	47.46	51.19	54.34	57.90	61.39	64.84			
	21	79.47		28.07	31.95	35.85	39.70	43.51	47.29	51.00	54.72	57.73	61.21			
22	81.86			27.85	31.78	35.64	39.50	43.32	47.07	50.79	54.45	57.56				
35	16	67.08	42.74	46.43	49.71	53.25	56.71	60.02								
	17	68.20	38.82	42.59	46.37	49.56	53.17	56.67	59.99							
	18	69.77	34.84	38.72	42.48	46.20	49.81	53.09	56.59	60.01						
	19	71.70	30.84	34.68	38.57	42.40	46.10	49.83	52.94	56.48	59.89	63.30				
	20	73.72	26.77	30.66	34.54	38.43	42.24	45.93	49.64	52.79	56.37	59.85	58.81			
	21	75.52		26.58	30.51	34.39	38.24	42.03	45.77	49.43	52.60	56.21	58.56			
22	77.79			26.42	30.32	34.19	38.03	41.83	45.59	49.29	52.98	55.02				
40	16	63.86	40.96	44.74	47.90	51.48	54.85									
	17	64.44	37.12	40.90	44.62	47.86	51.43	54.86								
	18	65.75	33.17	36.99	40.81	44.52	47.74	51.31	54.82	58.16						
	19	67.60	29.19	33.06	36.91	40.71	44.41	47.61	51.19	54.74	58.13					
	20	69.44	25.12	29.02	32.94	36.77	40.57	44.25	47.95	51.10	54.64	58.06	61.34			
	21	71.12		25.00	28.89	32.72	36.54	40.40	44.10	47.77	50.92	54.50	57.94			
22	73.27			24.77	28.72	32.58	36.44	40.23	43.94	47.58	50.73	54.33				
45	16	60.22	39.08	42.38	45.98	49.50										
	17	60.25	35.26	39.01	42.77	45.93	49.48	52.86								
	18	61.39	31.35	35.16	38.93	42.64	45.83	49.40	52.82							
	19	63.03	27.38	31.25	35.07	38.84	42.52	45.71	49.29	52.81	56.07					
	20	64.69	23.32	27.24	31.10	34.94	38.70	42.41	45.60	49.19	52.68	56.09				
	21	66.28		23.21	27.11	30.98	34.82	38.58	42.26	45.91	49.05	52.57	56.00			
22	68.24			23.06	26.90	30.84	34.62	38.45	42.13	45.77	48.91	52.43				
50	16	56.12	37.01	40.29	43.84	47.29										
	17	56.15	33.24	36.95	40.21	43.83	47.30									
	18	56.66	29.34	33.17	36.86	40.16	43.75	47.28								
	19	57.96	25.40	29.23	33.07	36.79	40.43	43.64	47.20	50.61						
	20	59.43	21.36	25.27	29.13	32.95	36.68	40.33	43.53	47.09	50.54					
	21	61.01		21.25	25.11	29.00	32.84	36.54	40.23	43.42	46.97	50.44	53.81			
22	62.61			21.11	24.97	28.83	32.65	36.44	40.05	43.28	46.84	50.31				

71.70 kW
3 Phase
Tri-Capacity

HEATING PERFORMANCE

WB TEMP ON OD COIL - °C	HEATING CAPACITY - kW									
	AT DB ENTERING INDOOR - °C									
	16		18		20		22		24	
	TH	IH	TH	IH	TH	IH	TH	IH	TH	IH
-10	45.88	43.12	45.73	42.99	45.61	42.88	45.49	42.76	45.36	42.64
-8	48.50	45.11	48.32	44.94	48.18	44.81	48.01	44.65	47.85	44.50
-6	51.11	47.02	50.89	46.82	50.70	46.64	50.63	46.58	50.43	46.39
-4	53.96	48.30	53.72	48.08	53.49	47.88	53.25	47.66	53.14	47.56
-2	57.04	49.63	56.75	49.37	56.48	49.14	56.29	48.97	55.99	48.71
0	60.24	51.81	59.91	51.52	59.56	51.22	59.25	50.95	58.91	50.66
2	63.33	56.36	62.94	56.01	62.45	55.58	62.16	55.33	61.76	54.97
4	66.49	63.17	66.19	62.88	65.63	62.35	65.18	61.92	64.85	61.61
6	69.97	69.97	69.49	69.49	69.00	69.00	68.51	68.51	67.97	67.97
8	73.67	73.67	73.15	73.15	72.61	72.61	72.15	72.15	71.54	71.54
10	77.75	77.75	77.13	77.13	76.51	76.51	75.89	75.89	75.15	75.15
12	81.77	81.77	81.09	81.09	80.41	80.41	79.59	79.59	78.88	78.88
14	86.00	86.00	85.18	85.18	84.40	84.40	83.56	83.56	82.74	82.74
16	90.28	90.28	89.44	89.44	88.60	88.60	87.55	87.55	86.75	86.75
18	94.85	94.85	93.75	93.75	92.91	92.91	91.90	91.90	90.85	90.85

TH - Total Heating Capacity (kW).
IH - Integrated Heating Capacity (kW)
Includes defrost losses.

AIRFLOW CORRECTION MULTIPLIER

% VARIATION	-22%	-15%	-10%	-5%	NOMINAL	+5%	+10%	+14%
INDOOR AIRFLOW (l/s)	2800	3060	3240	3420	3600	3780	3960	4100
TOTAL COOLING	0.958	0.973	0.983	0.993	1.000	1.008	1.016	1.021
SENSIBLE COOLING	0.880	0.921	0.948	0.975	1.000	1.026	1.052	1.071
HEATING FACTOR	0.989	0.992	0.995	0.998	1.000	1.002	1.004	1.005

NOTES:

- No allowance has been made for the effect of indoor fan motor.
- Selection tables are based on nominal airflows. Correction factors must be applied for selection away from these conditions.

PIPE LENGTH CORRECTION MULTIPLIER

	5 m	10 m	20 m	30 m	40 m	50 m	60 m	70 m	75 m
COOLING	1.000	0.997	0.983	0.970	0.958	0.946	0.933	0.921	0.916
HEATING	1.000	1.000	1.000	1.000	1.000	1.000	1.000	1.000	1.000

Correction multipliers are based on horizontal pipe runs.



INDOOR FAN DATA / FAN CURVE

CAY700T / EVY700T

FAN PERFORMANCE DATA

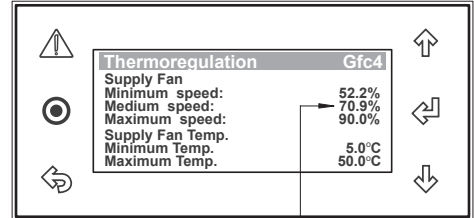
Airflow (l/s)	External Static Pressure (Pa)																			
	50		100		150		200		250		300		350		400		450		500	
	% Spd	W	% Spd	W	% Spd	W	% Spd	W	% Spd	W	% Spd	W	% Spd	W	% Spd	W	% Spd	W	% Spd	W
2800	52.2	1023	56.6	1275	60.3	1523	64.3	1792	68.6	2073	72.6	2346	76.1	2627	78.9	2913	83.2	3235		
2900	54.1	1106	58.0	1357	61.9	1623	66.0	1900	70.4	2191	74.1	2468	77.2	2751	80.1	3032	85.5	3372		
3000	55.9	1196	59.5	1446	63.5	1725	67.8	2013	71.9	2303	75.4	2580	78.5	2869	82.6	3198				
3100	57.5	1284	61.2	1548	65.1	1830	69.7	2133	73.4	2406	76.9	2703	80.1	3001	84.8	3371				
3200	59.1	1368	62.9	1652	67.1	1945	71.4	2238	75.0	2509	78.4	2854	82.4	3192						
3300	60.9	1480	64.6	1764	69.2	2059	73.1	2355	76.6	2676	80.1	3044	84.8	3363						
3400	62.7	1594	66.8	1887	71.1	2184	74.8	2486	78.3	2850	82.4	3188								
3500	64.5	1708	68.9	2010	72.8	2315	76.4	2641	79.9	3009	85.0	3342								
3600	66.7	1837	70.9	2144	74.6	2452	78.1	2802	82.4	3155										
3700	69.0	1975	72.8	2277	76.4	2603	79.9	2961	85.0	3315										
3800	71.1	2107	74.8	2411	78.2	2769	82.5	3130												
3900	73.1	2244	76.6	2578	80.0	2952	85.4	3292												
4000	75.0	2377	78.5	2750	82.8	3109														
4100	77.0	2560	80.7	2927	86.4	3266														

MOTOR / BLOWER LIMIT

NOTES:

- % Speed = Indoor Fan Speed Control Setting, in percent (Value is set on the Control Interface via Service Menu *).
- W = Indoor Fan Power, Watts
- - Data in the box indicates Factory Default Setting.

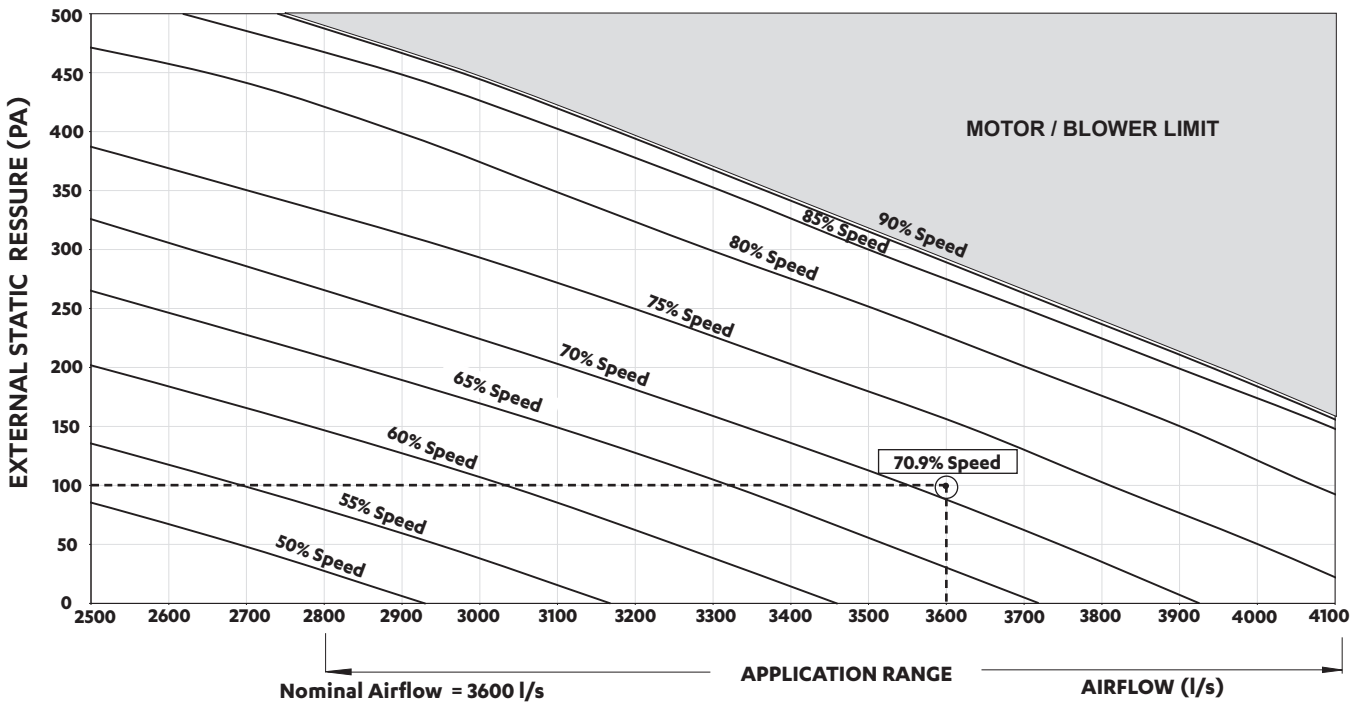
*Service → Service Settings → Thermoregulation → Thermoregulation Gfc4



3 Phase
Tri-Capacity

71.70 kW

INDOOR UNIT FAN CURVE



NOTE

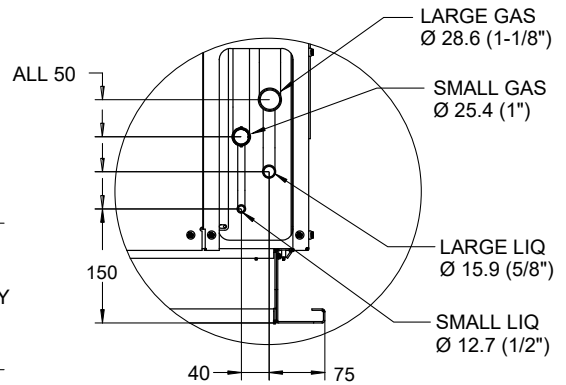
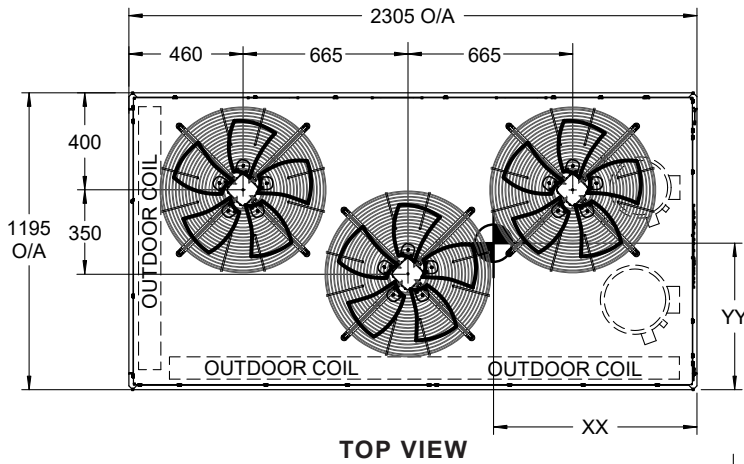
Fan Performance Data and Fan Curve shown is at dry coil and with no air filters installed. Consider external static pressure drop specific to your design requirements. Airflow should be reduce with respect to the moisture content in the air. Please review filter manufacturer for application. 2.5 m/s face velocity point will occur at outside the application range.



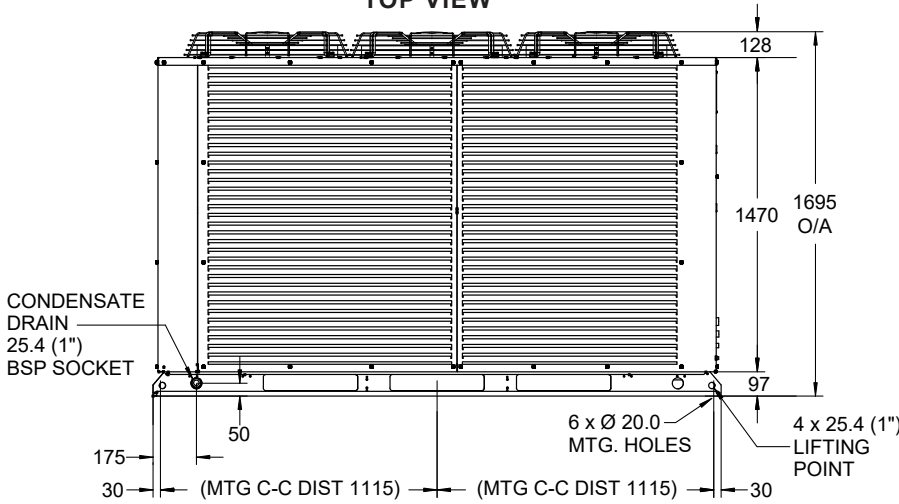
OUTDOOR UNIT DIMENSIONS

CAY700T

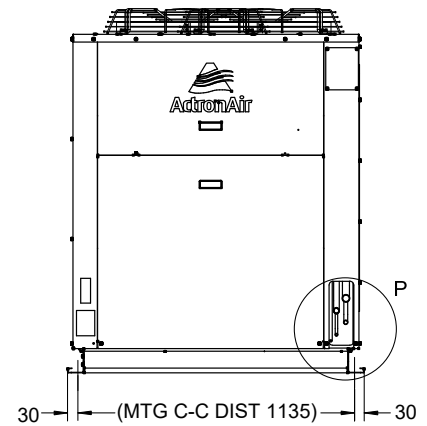
OVERALL NOMINAL DIMENSION (H x W x D)
= 1695 x 2305 x 1195



DETAIL P



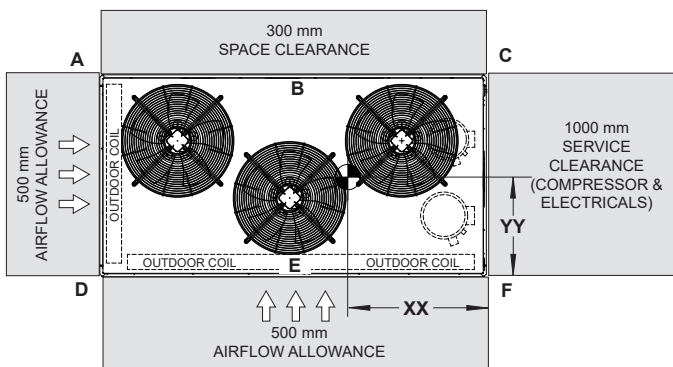
SIDE VIEW



FRONT VIEW

UNIT MODEL NUMBER	UNIT WEIGHT	CORNER WEIGHTS (kg)						CENTRE OF GRAVITY POSITION	
		A	B	C	D	E	F	XX	YY
CAY700T	604	71	68	126	98	98	143	931	569

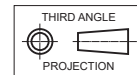
SERVICE ACCESS AREAS & AIRFLOW ALLOWANCES



TOP VIEW

HEIGHT CLEARANCE = 1500

NOTES:



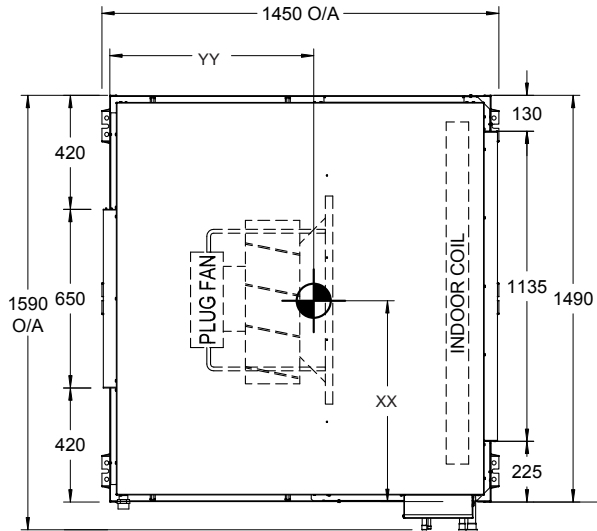
- Do not scale drawing. All dimensions are in mm unless otherwise specified. Refer to corresponding unit dimensional drawing for mounting hole details.
- Service Access Areas and Spaces for Airflow Clearances are suggested minimum based on the condition that the spaces around the units are free from any obstructions and a walkway passage of 1000 mm between the units or between the unit and the outside perimeter is available.
- Minimum service access areas and spaces for airflow clearances are responsibilities of the installer, ActronAir will not be held liable for any extra charges incurred due to lack of access and space for airflow.
- Under all circumstances, condenser air must not recirculate back onto condenser coil. Keep all clearance free of any obstruction.
- STACKING OF UNITS: Ensure that minimum airflow and clearances are met.
- Refer to Pipe Connection Details on Specifications Sheet.
- MTG C-C DIST = Mounting Centre to Centre Distance.
- Use M12 bolt for feet mounting.



71.70 kW
3 Phase
Tri-Capacity

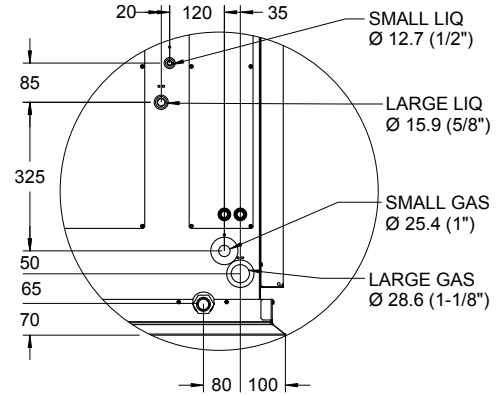
INDOOR UNIT DIMENSIONS

EVY700T

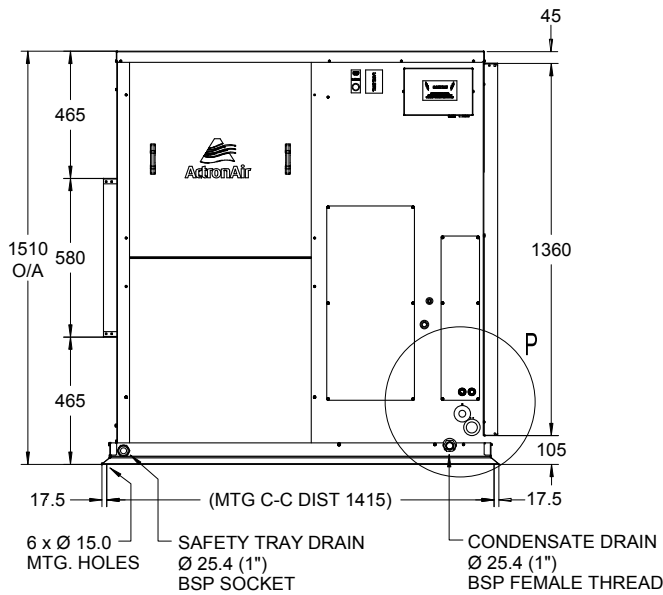


TOP VIEW

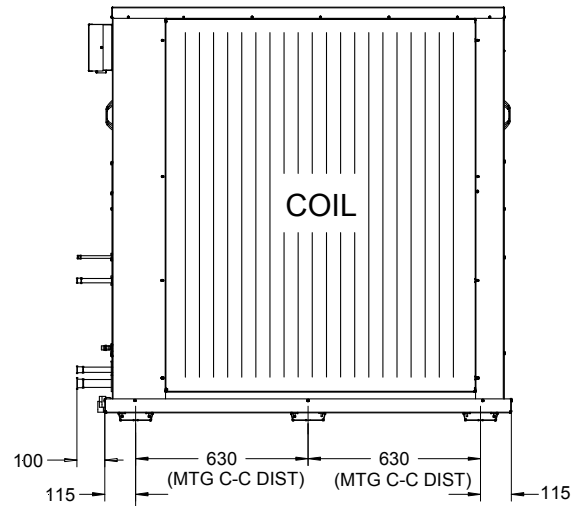
DIMENSION (H x W x D) = 1510 x 1590 x 1450
 SUPPLY DUCT (H x W) = 580 x 650
 RETURN DUCT = 1360 x 1135
 USE M12 BOLT FOR FEET MOUNTING



DETAIL P



FRONT VIEW

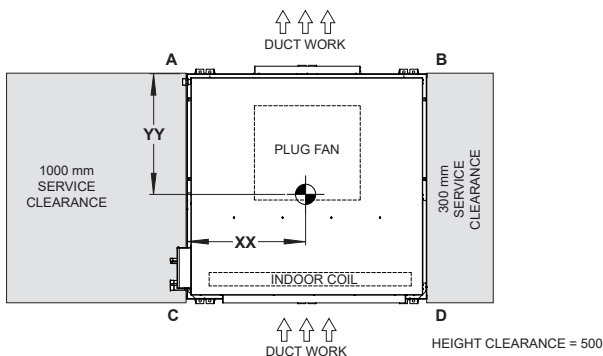


SIDE VIEW

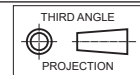
3 Phase
 Tri-Capacity
 71.70 KW

UNIT MODEL NUMBER	UNIT WEIGHT	CORNER WEIGHTS (kg)				CENTRE OF GRAVITY (mm)	
		A	B	C	D	XX	YY
EVY700T	340	79	79	91	91	730	771

SERVICE ACCESS AREAS & AIRFLOW ALLOWANCES



TOP VIEW



NOTES:

- Do not scale drawing. All dimensions are in mm unless otherwise specified. Refer to corresponding unit dimensional drawing for mounting hole details.
- Service Access Areas and Spaces for Airflow Clearances are suggested minimum based on the condition that the spaces around the units are free from any obstructions and a walkway passage of 1000 mm between the units or between the unit and the outside perimeter is available.
- Minimum service access areas and spaces for airflow clearances are responsibilities of the installer, ActronAir will not be held liable for any extra charges incurred due to lack of access and space for airflow.



Outdoor Radiated

Sound Power Level (SWL)

Fan Speed	Sound Power Level dB(A)	Octave Band Centre Frequency (Hz), dB						
		125	250	500	1k	2k	4k	8k
Low	76.0	83.3	73.3	73.4	70.5	64.7	56.8	52.0
High	81.0	88.6	78.8	77.3	75.3	70.2	62.3	57.0

Indoor Outlet

Sound Power Level (SWL)

Airflow Setting	Airflow Li/s	Sound Power Level dB(A)	Octave Band Centre Frequency (Hz), dB						
			125	250	500	1k	2k	4k	8k
Minimum	2800	73.4	76.2	75.2	71.5	67.3	63.0	59.3	55.0
Nominal	3600	80.8	85.7	82.9	79.0	74.1	69.3	67.3	60.6
Maximum	4100	83.7	87.8	85.4	82.2	77.1	72.3	70.2	63.5

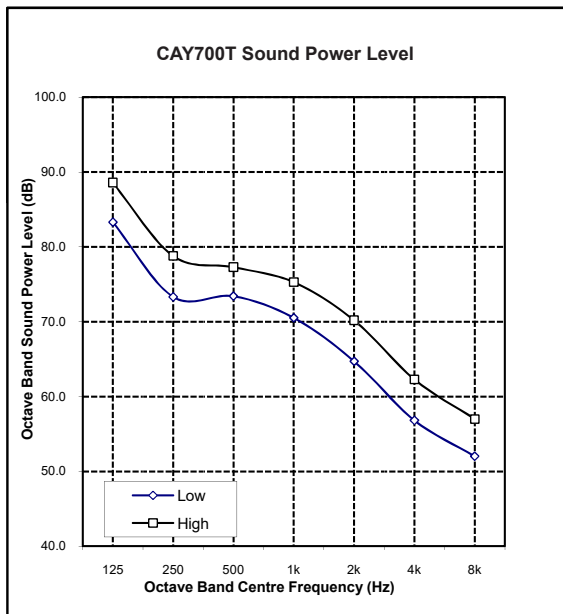
Indoor Inlet + Radiated

Sound Power Level (SWL)

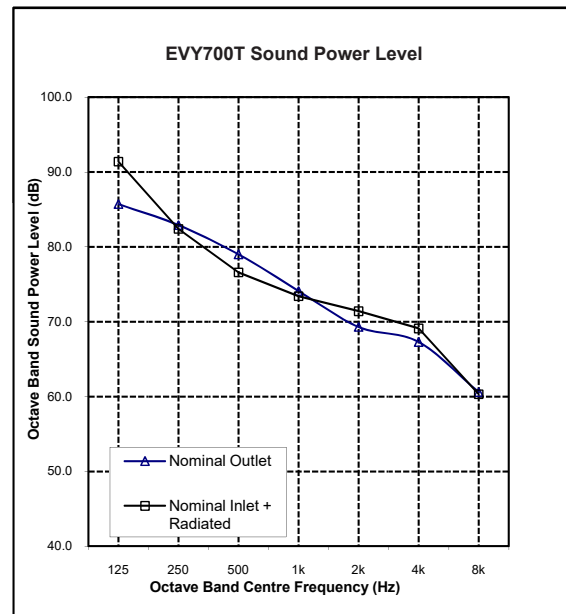
Airflow Setting	Airflow Li/s	Sound Power Level dB(A)	Octave Band Centre Frequency (Hz), dB						
			125	250	500	1k	2k	4k	8k
Minimum	2800	75.5	87.7	74.3	69.8	67.1	65.9	61.3	55.0
Nominal	3600	81.2	91.4	82.4	76.6	73.4	71.4	69.1	60.3
Maximum	4100	83.8	92.3	85.6	79.8	76.2	74.0	72.3	63.8

71.70 kW
3 Phase
Tri-Capacity

OUTDOOR RADIATED



INDOOR NOMINAL OUTLET / INLET + RADIATED



NOTES:

Radiated sound power levels are based on ISO 3743-1.



SPECIFICATIONS

CAY700T / EVY700T

CONSTRUCTION

CABINET (INDOOR UNIT)	Base	1.1 - 1.6 mm Galvanised Steel
	Top and Side	1.1 mm Galvanised Steel
CABINET (OUTDOOR UNIT)	Base	1.1 - 2.4 mm Galvanised Steel
	Top and Side	0.9 - 1.1 mm Galvanised Steel
SURFACE FINISH (Outdoor Unit)		65 µ Baked Polyester Powder Coat

INSULATION

INDOOR UNIT	Foil Faced Polyethylene
OUTDOOR UNIT	Foil Faced Polyethylene

ELECTRICAL

OUTDOOR UNIT	
Power Supply - 50 Hz	400 Volts x 3 Phase + Neutral
Voltage Range (min - max)	376 V - 440 V
Full Load Amps*	54.5
Rated Load Amps**	40.6
Approximate Starting Amps	174.0
IP Rating	IP44

INDOOR UNIT	
Power Supply - 50 Hz	400 Volts x 3 Phase + Neutral
Voltage Range (min - max)	376 V - 440 V
Full Load Amps*	6.0
IP Rating	IP20

OUTDOOR & INDOOR UNIT (TOTAL)	
Full Load Amps* - Phase 1	60.5
Full Load Amps* - Phase 2 & 3	60.5 and 60.5
Rated Load Amps**	45.1

IMPORTANT - The local electricity authority may require limits on starting current and voltage drop, please check prior to purchase.

* Full Load Amps are based on Compressor and Fan Motor's maximum expected current.

** Rated Load Amps are measured and tested in accordance with AS/NZS3823.1.2.

CABLE SIZE & CIRCUIT BREAKER SIZE

Suggested minimum cable size should be used as a guide only, refer to the accordance with the latest edition of the AS/NZS 3000 "Australian/New Zealand Wiring Rules" for more details.

Cable Size (main line)	25.0 mm ² (SUGGESTED MINIMUM)
Cable Size (indoor to outdoor wire)	1.5 mm ² (SUGGESTED MINIMUM)
Circuit Breaker Size - Amps	80.0

OUTDOOR COIL

TUBE TYPE	Copper - Rifle Bore
FIN TYPE	Aluminium - Wave
FACE AREA (m sq) - Coil 1 & 2	1.45 & 2.75
FIN SPACING (per m)	472 & 472
COIL COATING	Hydrophilic Blue Coat Coil Fin Protection

OUTDOOR FAN

NUMBER OF FANS x TYPE	3 x Axial Low Noise
NUMBER OF BLADES PER FAN	5
INPUT kW / FULL LOAD AMPS	0.52 / 2.62 each fan
MOTOR TYPE / DRIVE TYPE	6 Pole External Rotor / Direct
FAN SPEED CONTROL	2 Speed via Capacitor

The standard type outdoor fans fitted to this unit will accept up to 20 Pa of external static resistance.

INDOOR COIL

TUBE TYPE	Copper - Rifle Bore
FIN TYPE	Aluminium - Louvre
FACE AREA (m sq)	1.64 (interlaced)
FIN SPACING (per m)	472
COIL COATING	Hydrophilic Blue Coat Coil Fin Protection

INDOOR FAN

NUMBER OF FANS x TYPE	1 x Backward Curve Plug Fan
INPUT kW / FULL LOAD AMPS	2.83 / 6.0
MOTOR TYPE / DRIVE TYPE	Variable Speed EC Motor / Direct Drive

COMPRESSOR

NUMBER PER UNIT x TYPE	2 x Scroll (Hermetic)
FULL LOAD AMPS - (Comp. 1 & 2)	15.2 & 30.9
LOCKED ROTOR AMPS - (Comp. 1 & 2)	95.0 & 174.0
STARTING METHOD	D.O.L. (optional soft starter)

REFRIGERATION SYSTEM

REFRIGERANT TYPE	R-410A
EXPANSION CONTROL	TXV (Thermostatic Valve) x 4
FACTORY CHARGE - Circuit 1 & 2	9,200 grams & 15,500 grams
PRE-CHARGE LENGTH (metres)	5.0
ADDITIONAL REF. CHARGE (Crt. 1 & 2)	100.0 g/m & 165.0 g/m

INTERCONNECTING PIPE RUN

MAX PIPE LENGTH (metres)	75.0	
MAX. VERTICAL LENGTH (metres)	20 (Included in Max. Pipe Length)	
FIELD PIPE SIZES		
Liquid Pipe - (Crt. 1 & 2)	12.7 mm (1/2") & 15.9 mm (5/8")	
Gas Pipe - (Crt. 1 & 2)	25.4 mm (1") & 28.6 mm (1-1/8")	
PIPE CONNECTIONS (Factory Swaged)		
Indoor - (Crt. 1 & 2)	Liquid Pipe	12.7 mm (1/2") & 15.9 mm (5/8")
	Gas Pipe	25.4 mm (1") & 28.6 mm (1-1/8")
Outdoor	Liquid Pipe	12.7 mm (1/2") & 15.9 mm (5/8")
	Gas Pipe	25.4 mm (1") & 28.6 mm (1-1/8")
CONNECTION TYPE	Solder	

FILTER DRIER

CONNECTION SIZE & TYPE (Drier 1)	12.7 mm (1/2") ODF - Soldered
CONNECTION SIZE & TYPE (Drier 2)	15.9 mm (5/8") ODF - Soldered
FACTORY SUPPLIED / FITTED	Yes
See Installation Section for complete Filter Drier specifications.	

PROTECTION DEVICES

HIGH PRESSURE CUTOFF SWITCH	Nonadjustable (Automatic Reset)
LOW PRESSURE CUTOFF SWITCH	Nonadjustable (Automatic Reset)
COMPRESSOR MOTOR TEMP.	Internal Thermal Cut-Out
INDOOR FAN OVERLOAD	Full Electronic Monitoring
OUTDOOR FAN OVERLOAD	Internal Thermal Cut-Out
SUMP HEATER WATTS - (Comp. 1 & 2)	50W & 90W

ELECTRIC CONTROLS

DEFROST METHOD	Reverse Cycle
DEFROST TYPE	Adaptive Demand Defrost
CONTROL CIRCUIT BREAKER	16.0 Amps
OPTIONAL THIRD PARTY BMS / CONTROLLER INPUTS	MODBUS 485 BACNET 485 BACNET TCP/IP 0-10VDC / 24VAC Third Party Input

OPERATING RANGE

It is essential that the unit is correctly sized for the application and operates within its recommended range of operating conditions as shown below.

MODE	RANGE	INDOOR AIR INTAKE TEMPERATURE	OUTDOOR AIR INTAKE TEMPERATURE
Cooling	Max.	29°C DB / 19°C WB	50°C DB
	Min.	20°C DB / 15°C WB	15°C DB
Heating	Max.	24°C DB	21°C DB / 16°C WB
	Min.	16°C DB	-10°C DB

IMPORTANT - For low ambient cooling use option S. Lower ambient available on request. Contact your nearest ActronAir office for more details.

Low Ambient Cooling	Option S	Max.	29°C DB / 19°C WB	50°C DB
		Min.	20°C DB / 15°C WB	5°C DB
	On Request	Max.	29°C DB / 19°C WB	50°C DB
		Min.	20°C DB / 15°C WB	-5°C DB

AIR FILTERS

All return air including outside air must have adequate filters supplied and fitted by the installing contractor. Filters are to be located in the return air filter retainer in the unit or in accessible location between the return air grille and the unit.

ActronAir does not supply or make any provisions for return air filter

3 Phase
Tri-Capacity

71.70 kW

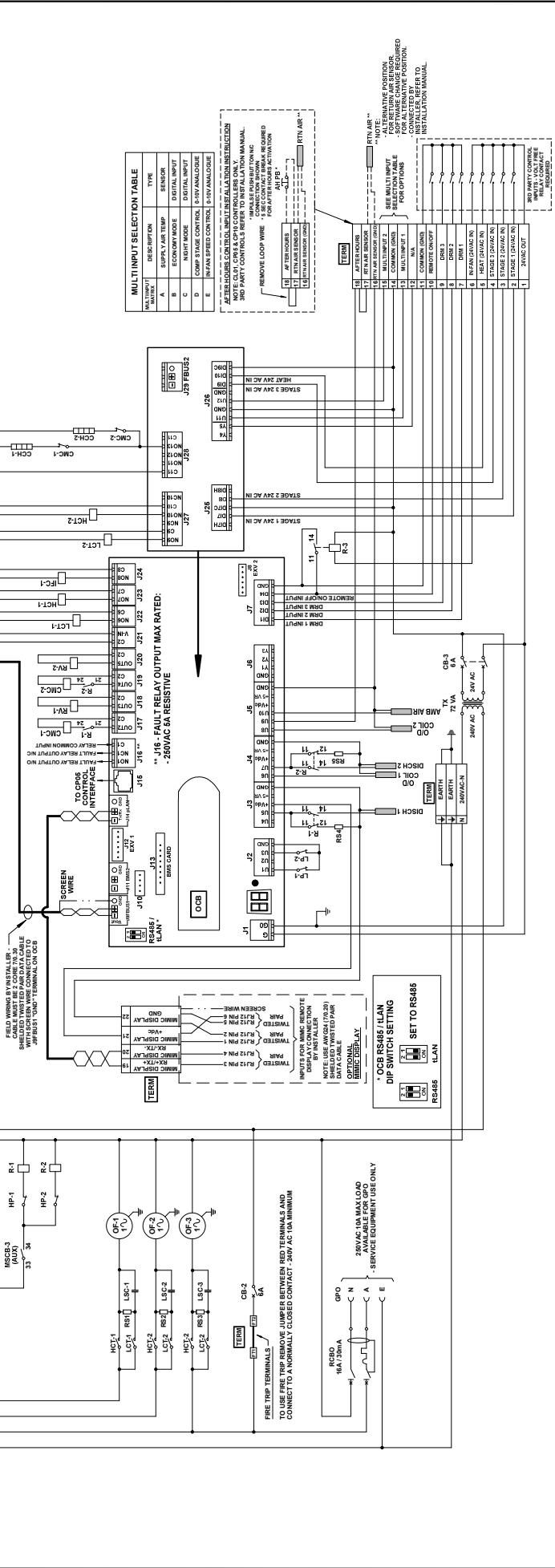
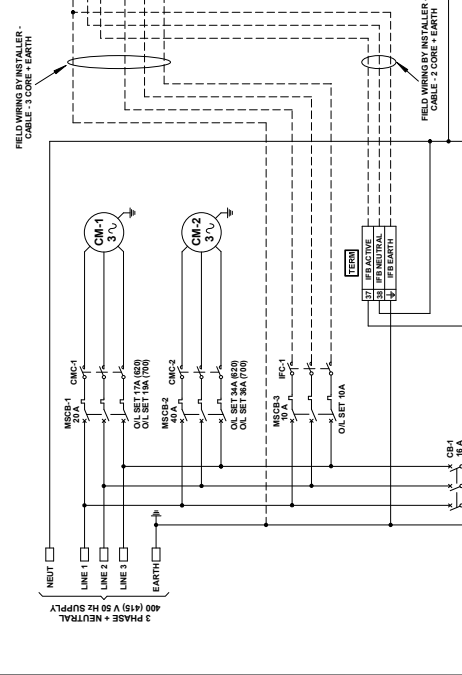
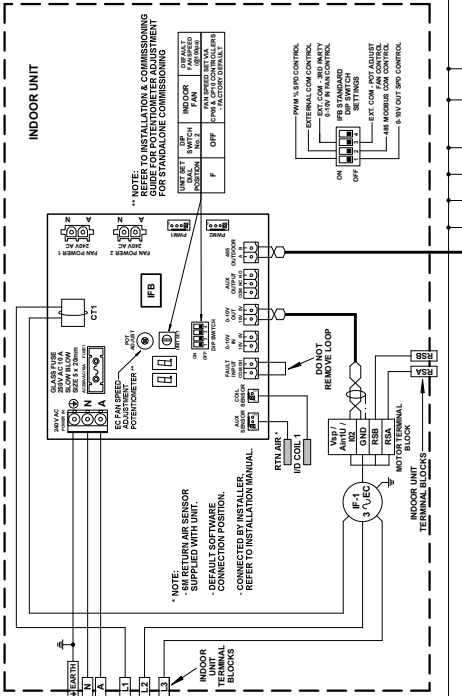


WIRING DIAGRAM

CAY700T

LEGEND	
AH-PB	AFTER HOURS PUSH BUTTON
CB	CIRCUIT BREAKER
CCH	CRANKCASE HEATER
CM	COMPRESSOR MOTOR
CMC	COMPRESSOR MOTOR CONTACTOR
GPO	GENERAL PURPOSE OUTLET
HCT	HIGH SPEED FAN CONTACTOR
HP	HIGH PRESSURE SWITCH
IFB	INDOOR FAN MOTOR
IFC	INDOOR FAN CONTACTOR
LCT	LOW SPEED FAN CONTACTOR
LP	LOW PRESSURE SWITCH
LSC	LOW SPEED CAPACITOR
MSCB	MOTOR START CIRCUIT BREAKER / OL
OCB	OUTDOOR FAN MOTOR
OF	OUTDOOR FAN CONTACTOR
R	RELAY
RS	RESISTOR
RV	REVERSING VALVE
RCBO	RESIDUAL CURRENT CIRCUIT BREAKER / OL
TERM	TERMINAL BLOCK
TX	TRANSFORMER

FINAL COMMISSIONING FAN SETPOINT VOLTAGE
Date:/...../.....
Fan Speed: V or %



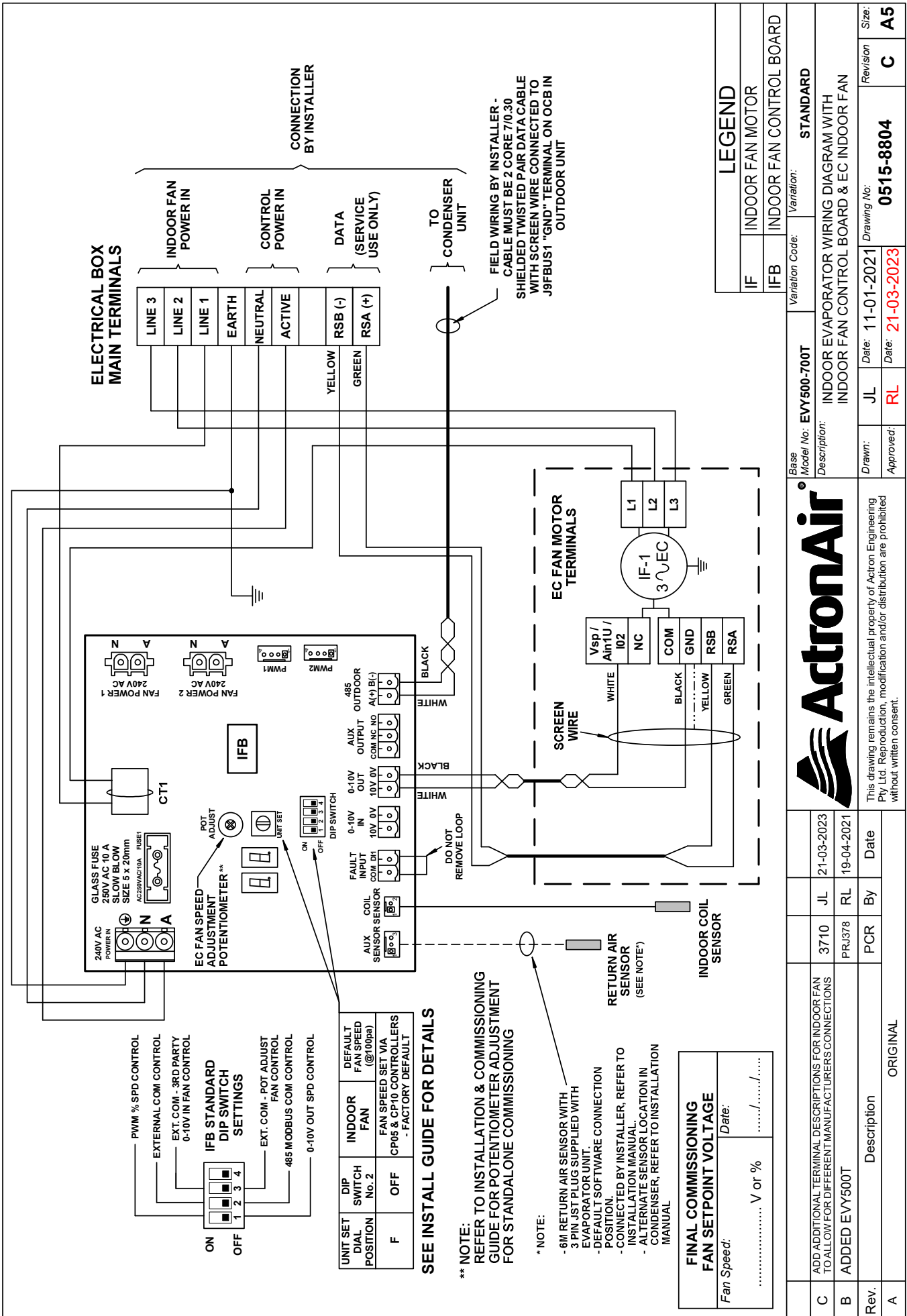
Base Model No: CAY620-700T		Variation Code: STANDARD	
Description: CM100 TRI-CAPACITY CONTROL SYSTEM WITH CIB01 INDOOR FAN CONTROL BOARD WIRING DIAGRAM			
Drawn: JL	Date: 05-02-2021	Drawing No: 0515-8406	Revision: B
Approved: RL	Date: 15-03-2023		Size: A3
Rev. Description		ORIGINAL	
B	CHANGED TERMINAL DESC'S FOR I/O FAN TO ALLOW DIFFERENT MANUFACTURERS CONNECTIONS. REMOVE DEFAULT FAN SPEED SETTINGS TABLE SET I/O FAN OIL TO 10A	3710	PCR
A		JL	By Date

ActronAir

This drawing remains the intellectual property of Actron Engineering Pty Ltd. Reproduction, modification and/or distribution are prohibited without written consent.

WIRING DIAGRAM

EVY700T



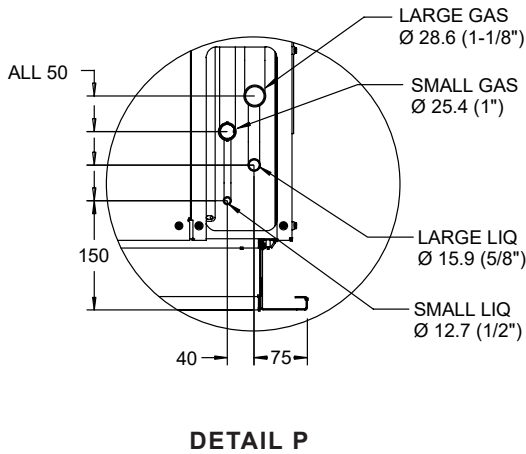
This drawing remains the intellectual property of Actron Engineering Pty Ltd. Reproduction, modification and/or distribution are prohibited without written consent.

3 Phase
Tri-Capacity
71.70 kW

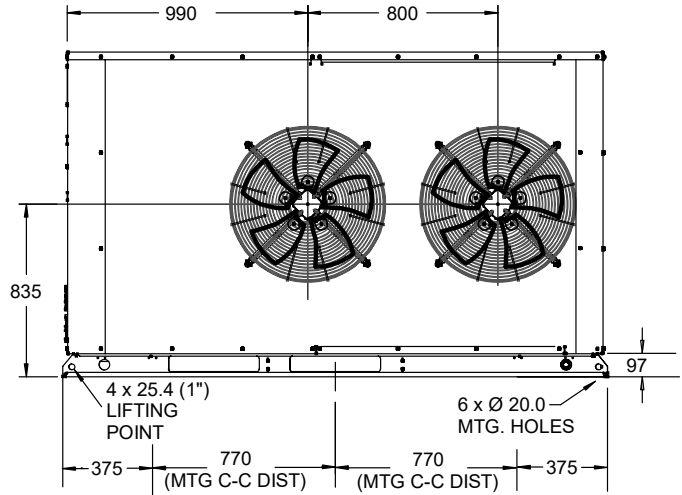
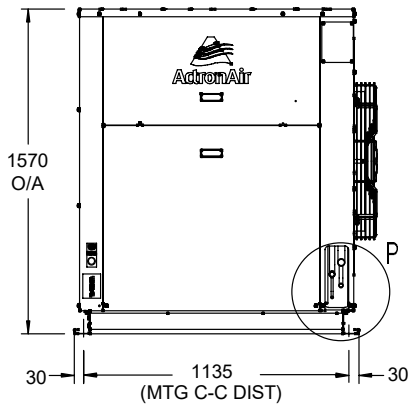
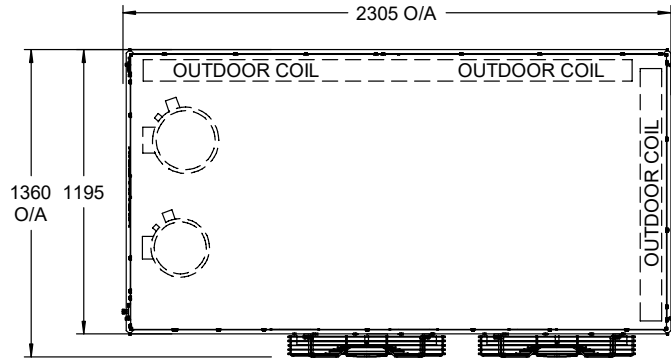
OUTDOOR UNIT VARIATION

CAY700T-SV

SV SIDE DISCHARGE ELECTRONICALLY COMMUTATED FAN



OVERALL NOMINAL DIMENSION (H x W x D)
= 1570 x 2305 x 1360

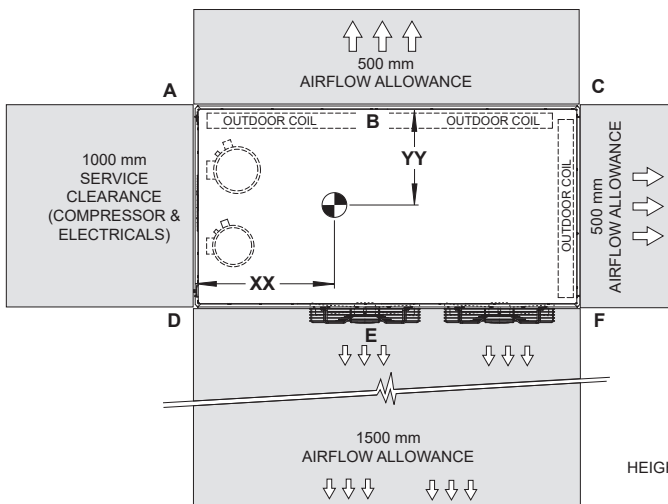


71.70 kW
3 Phase
Tri-Capacity

FRONT VIEW

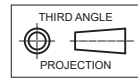
SIDE VIEW

SERVICE ACCESS AREAS



HEIGHT CLEARANCE = 600

NOTES:



1. Do not scale drawing. All dimensions are in mm unless otherwise specified. Refer to corresponding unit dimensional drawing for mounting hole details.
2. Service Access Areas and Spaces for Airflow Clearances are suggested minimum based on the condition that the spaces around the units are free from any obstructions and a walkway passage of 1000 mm between the units or between the unit and the outside perimeter is available.
3. Minimum service access areas and spaces for airflow clearances are responsibilities of the installer, ActronAir will not be held liable for any extra charges incurred due to lack of access and space for airflow.
4. Under all circumstances, condenser air must not recirculate back onto condenser coil. Keep all clearance free of any obstruction.
5. STACKING OF UNITS: Ensure that minimum airflow and clearances are met.
6. Refer to Pipe Connection Details on Specifications Sheet.
7. MTG C-C DIST = Mounting Centre to Centre Distance.
8. Use M12 bolt for feet mounting.

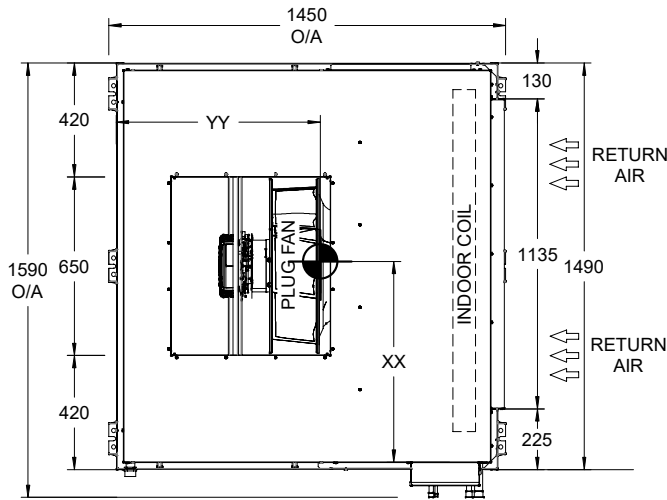


INDOOR UNIT VARIATION

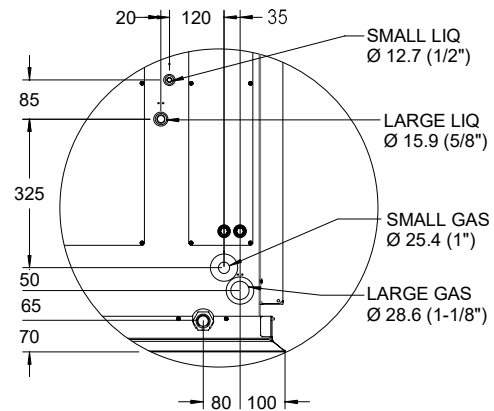
EVY700T-TV

TV TOP DISCHARGE ELECTRONICALLY COMMUTATED FAN

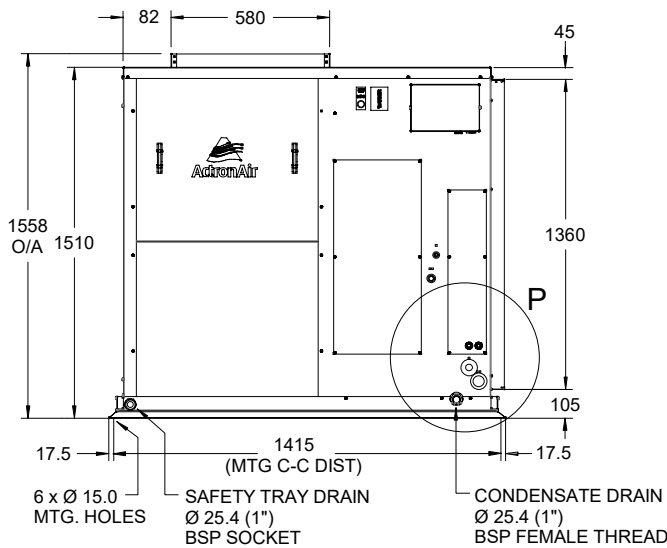
DIMENSION (H x W x D) = 1558 x 1590 x 1450
 SUPPLY DUCT (H x W) = 580 x 650
 RETURN DUCT = 1360 x 1135
 USE M12 BOLT FOR FEET MOUNTING



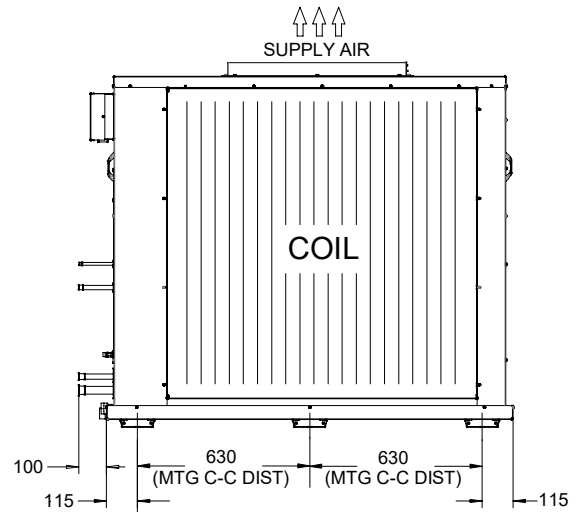
TOP VIEW



DETAIL P



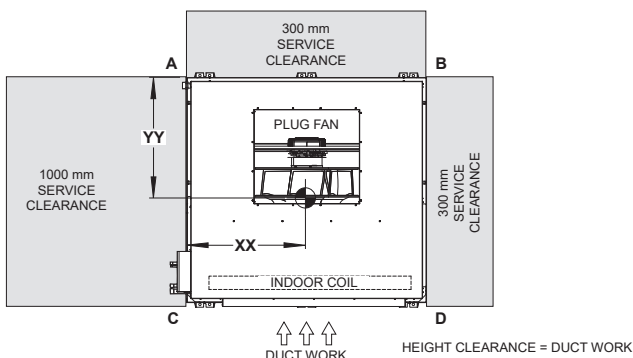
SIDE VIEW



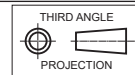
REAR VIEW

UNIT MODEL NUMBER	UNIT WEIGHT	CORNER WEIGHTS (kg)				CENTRE OF GRAVITY	
		A	B	C	D	XX	YY
EVY700T-TV	340	79	79	91	91	730	771

SERVICE ACCESS AREAS



TOP VIEW



NOTES:

1. Do not scale drawing. All dimensions are in mm unless otherwise specified. Refer to corresponding unit dimensional drawing for mounting hole details.
2. Service Access Areas and Spaces for Airflow Clearances are suggested minimum based on the condition that the spaces around the units are free from any obstructions and a walkway passage of 1000 mm between the units or between the unit and the outside perimeter is available.
3. Minimum service access areas and spaces for airflow clearances are responsibilities of the installer, ActronAir will not be held liable for any extra charges incurred due to lack of access and space for airflow.

3 Phase
Tri-Capacity

71.70 kW

