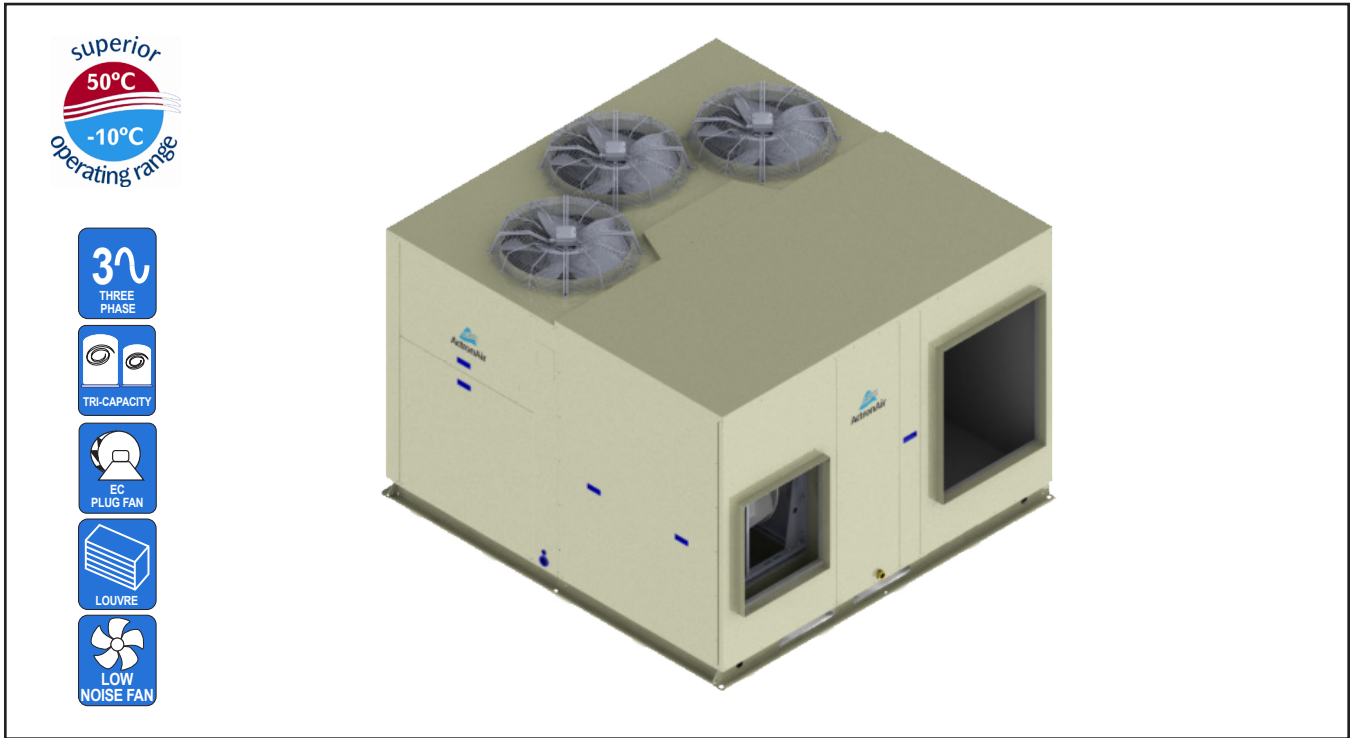


# TRI-CAPACITY PACKAGE UNIT



## UNIT FEATURES

- Compliant Scroll Compressors
- Tri-Capacity 33% 67% 100% Capacity Stages
- Dual Bi-Flow Thermostatic Expansion Valves
- Full Factory Charged with R-410A Refrigerant
- Return Air Filter Rails Fitted
- Two Speed Outdoor Fans
- Hydrophilic Blue Coat Coil Fin Protection - Indoor and Outdoor Coils
- Outdoor Coils Condensate Drain Socket
- Louvred Outdoor Coil Guard
- External Stainless Steel Screws
- Adaptive Demand Defrost
- EC Variable Speed Backward Curve Plug Fan
- Adjustable Indoor Airflow via Control Interface
- Foil Faced Polyethylene Insulation

## UNIT OPTIONS

- Reverse Handing with Various Airflow Options
- <sup>(9)</sup> Economy Starter Kit (Available on LHS/RHS only)
- Outside Air Damper
- Low Ambient / High Static Outdoor Fans
- Compressor Soft Starters
- Phase Protection
- Additional Full Coil Coat Protection

## CONTROL FEATURES

### ActronAir CP05 / CP10

- Auto / Cool / Heat / Fan Only Modes
- 7-Day Time Clock with 2 On/Off Events per Day
- 12 Programmable Special Days with 2 On/Off Events per Day
- Daylight Saving Time Function
- Indoor Coil Anti-Freeze Protection
- HP / LP Safety Protection
- Alarm Fault Data Logger
- LCD Screen Displays Operating Status, Mode & Menu Information
- Night Mode Function

## CONTROL OPTIONS

### ActronAir CL01-2 (BCA Compliant) - Purchased Separately

- Available in White or Grey
- 7-Day Time Clock with 2 On/Off Events per Day

### Optional BMS Control - Purchased Separately

- MODBUS 485 / BACNET 485 / BACNET TCP/IP

### Optional 3rd Party Control Inputs - Standard Inclusion

- 0-10VDC / 24VAC / Volt Free Digital Input

## SPECIFICATION SUMMARY

PACKAGE UNIT MODEL	PKY700T	
	<sup>(1)</sup> TOTAL	<sup>(2)</sup> NETT
<sup>(3)</sup> COOLING CAPACITY (kW)	71.70	69.20
<sup>(3)</sup> SENSIBLE CAPACITY (kW)	56.48	53.98
<sup>(4)</sup> HEATING CAPACITY (kW)	69.00	71.50
<sup>(5)</sup> COOLING INPUT POWER (kW)	23.20	
<sup>(5)</sup> HEATING INPUT POWER (kW)	23.50	
EER	3.09	2.98
COP	2.94	3.04
<sup>(6)</sup> INDOOR AIRFLOW (l/s) - MIN. / NOMINAL / MAX.	2800 / 3600 / 4100	
OUTDOOR SOUND PRESS. LEVEL @ 3M dB(A) - LOW / HIGH	60.0 / 65.0	
OUTDOOR SOUND POWER LEVEL dB(A) - LOW / HIGH	77.0 / 82.0	
POWER SUPPLY	400V / 3Ph+N / 50Hz	
<sup>(2)</sup> RATED LOAD AMPS	45.1	
<sup>(7)</sup> FULL LOAD AMPS	60.5	
<sup>(8)</sup> CIRCUIT BREAKER AND CABLE AMPS	80.0	
APPROXIMATE STARTING AMPS	174.0	
WEIGHT (kg)	964	

<sup>(1)</sup> Based on unit rating excluding indoor fan kW.

<sup>(2)</sup> Measured and tested in accordance with AS/NZS 3823.1.2.

<sup>(3)</sup> At 27°C DB / 19°C WB entering air temperatures and 35°C ambient.

<sup>(4)</sup> At 20°C DB entering air temperature and 7°C DB / 6°C WB ambient.

<sup>(5)</sup> input power includes indoor fan kW.

<sup>(6)</sup> Max. - Min. airflow application range.

<sup>(7)</sup> Full Load Amps are based on compressor and fan motors' maximum expected current.

<sup>(8)</sup> See Specifications sheet for cable size and circuit breaker size details.

<sup>(9)</sup> Room Air Sensor needs to be relocated by the installer specific to site requirements.

Note: Use input power to estimate running cost.

## UNIT COMPLIANCE

- MEPS (GEMS Determination 2020)
- Demand Response AS4755.3.1:2012
- BCA Compliant with CL01-2 Control Interface
- EMC Compliant



# CAPACITY SELECTION DATA

# PKY700T

## COOLING PERFORMANCE

AIR ENTERING		TOTAL CAPACITY kW	TOTAL SENSIBLE CAPACITY - kW										
OUTDOOR DB - °C	INDOOR WB - °C		AT DB TEMPERATURE ONTO INDOOR COIL - °C										
			20	21	22	23	24	25	26	27	28	29	30
25	16	73.16	45.67	49.47	52.70	56.30	59.79	63.22					
	17	74.70	41.76	45.57	49.31	53.07	56.18	59.70	63.13				
	18	76.51	37.72	41.60	45.39	49.19	52.92	56.04	59.59	63.06	66.50		
	19	78.71	33.66	37.59	41.46	45.27	48.97	52.74	55.87	59.49	62.93	66.43	69.77
	20	80.82	29.59	33.53	37.38	41.25	45.04	48.82	52.55	56.06	59.33	62.81	66.30
	21	82.94		20.49	33.27	37.17	41.00	44.83	48.64	52.34	56.03	59.12	62.67
22	85.48			29.15	33.05	36.96	40.82	44.64	48.42	52.14	55.83	59.90	
30	16	70.02	44.30	48.04	51.27	54.85	58.32	61.73					
	17	71.63	40.36	44.17	47.93	51.50	54.77	58.28	61.69				
	18	73.32	36.36	40.23	44.04	47.77	51.54	54.67	58.17	61.61	65.02		
	19	75.43	32.35	36.22	40.11	43.89	47.62	51.34	54.52	58.07	61.54	64.97	
	20	77.57	28.27	32.18	36.06	39.91	43.71	47.46	51.19	54.34	57.90	61.39	64.84
	21	79.47		28.07	31.95	35.85	39.70	43.51	47.29	51.00	54.72	57.73	61.21
22	81.86			27.85	31.78	35.64	39.50	43.32	47.07	50.79	54.45	57.56	
35	16	67.08	42.74	46.43	49.71	53.25	56.71	60.02					
	17	68.20	38.82	42.59	46.37	49.56	53.17	56.67	59.99				
	18	69.77	34.84	38.72	42.48	46.20	49.81	53.09	56.59	60.01			
	19	71.70	30.84	34.68	38.57	42.40	46.10	49.83	52.94	56.48	59.89	63.30	
	20	73.72	26.77	30.66	34.54	38.43	42.24	45.93	49.64	52.79	56.37	59.85	58.81
	21	75.52		26.58	30.51	34.39	38.24	42.03	45.77	49.43	52.60	56.21	58.56
22	77.79			26.42	30.32	34.19	38.03	41.83	45.59	49.29	52.98	55.02	
40	16	63.86	40.96	44.74	47.90	51.48	54.85						
	17	64.44	37.12	40.90	44.62	47.86	51.43	54.86					
	18	65.75	33.17	36.99	40.81	44.52	47.74	51.31	54.82	58.16			
	19	67.60	29.19	33.06	36.91	40.71	44.41	47.61	51.19	54.74	58.13		
	20	69.44	25.12	29.02	32.94	36.77	40.57	44.25	47.95	51.10	54.64	58.06	61.34
	21	71.12		25.00	28.89	32.72	36.54	40.40	44.10	47.77	50.92	54.50	57.94
22	73.27			24.77	28.72	32.58	36.44	40.23	43.94	47.58	50.73	54.33	
45	16	60.22	39.08	42.38	45.98	49.50							
	17	60.25	35.26	39.01	42.77	45.93	49.48	52.86					
	18	61.39	31.35	35.16	38.93	42.64	45.83	49.40	52.82				
	19	63.03	27.38	31.25	35.07	38.84	42.52	45.71	49.29	52.81	56.07		
	20	64.69	23.32	27.24	31.10	34.94	38.70	42.41	45.60	49.19	52.68	56.09	
	21	66.28		23.21	27.11	30.98	34.82	38.58	42.26	45.91	49.05	52.57	56.00
22	68.24			23.06	26.90	30.84	34.62	38.45	42.13	45.77	48.91	52.43	
50	16	56.12	37.01	40.29	43.84	47.29							
	17	56.15	33.24	36.95	40.21	43.83	47.30						
	18	56.66	29.34	33.17	36.86	40.16	43.75	47.28					
	19	57.96	25.40	29.23	33.07	36.79	40.43	43.64	47.20	50.61			
	20	59.43	21.36	25.27	29.13	32.95	36.68	40.33	43.53	47.09	50.54		
	21	61.01		21.25	25.11	29.00	32.84	36.54	40.23	43.42	46.97	50.44	53.81
22	62.61			21.11	24.97	28.83	32.65	36.44	40.05	43.28	46.84	50.31	

71.70 kW  
3 Phase  
Tri-Capacity

## HEATING PERFORMANCE

WB TEMP ON OD COIL - °C	HEATING CAPACITY - kW									
	AT DB ENTERING INDOOR - °C									
	16		18		20		22		24	
	TH	IH	TH	IH	TH	IH	TH	IH	TH	IH
-10	45.88	43.12	45.73	42.99	45.61	42.88	45.49	42.76	45.36	42.64
-8	48.50	45.11	48.32	44.94	48.18	44.81	48.01	44.65	47.85	44.50
-6	51.11	47.02	50.89	46.82	50.70	46.64	50.63	46.58	50.43	46.39
-4	53.96	48.30	53.72	48.08	53.49	47.88	53.25	47.66	53.14	47.56
-2	57.04	49.63	56.75	49.37	56.48	49.14	56.29	48.97	55.99	48.71
0	60.24	51.81	59.91	51.52	59.56	51.22	59.25	50.95	58.91	50.66
2	63.33	56.36	62.94	56.01	62.45	55.58	62.16	55.33	61.76	54.97
4	66.49	63.17	66.19	62.88	65.63	62.35	65.18	61.92	64.85	61.61
6	69.97	69.97	69.49	69.49	69.00	69.00	68.51	68.51	67.97	67.97
8	73.67	73.67	73.15	73.15	72.61	72.61	72.15	72.15	71.54	71.54
10	77.75	77.75	77.13	77.13	76.51	76.51	75.89	75.89	75.15	75.15
12	81.77	81.77	81.09	81.09	80.41	80.41	79.59	79.59	78.88	78.88
14	86.00	86.00	85.18	85.18	84.40	84.40	83.56	83.56	82.74	82.74
16	90.28	90.28	89.44	89.44	88.60	88.60	87.55	87.55	86.75	86.75
18	94.85	94.85	93.75	93.75	92.91	92.91	91.90	91.90	90.85	90.85

TH - Total Heating Capacity (kW).  
IH - Integrated Heating Capacity (kW)  
Includes defrost losses.

## AIRFLOW CORRECTION MULTIPLIER

% VARIATION	-22%	-15%	-10%	-5%	NOMINAL	+5%	+10%	+14%
INDOOR AIRFLOW (l/s)	2800	3060	3240	3420	3600	3780	3960	4100
TOTAL COOLING	0.958	0.973	0.983	0.993	1.000	1.008	1.016	1.021
SENSIBLE COOLING	0.880	0.921	0.948	0.975	1.000	1.026	1.052	1.071
HEATING FACTOR	0.989	0.992	0.995	0.998	1.000	1.002	1.004	1.005

### NOTES:

- No allowance has been made for the effect of indoor fan motor.
- Selection tables are based on nominal airflows. Correction factors must be applied for selection away from these conditions.



# INDOOR FAN DATA / FAN CURVE

# PKY700T

## FAN PERFORMANCE DATA

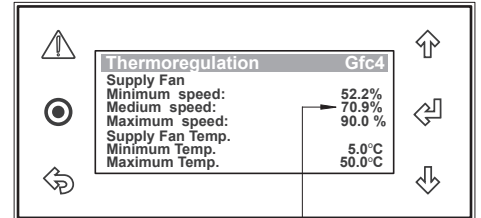
Airflow (l/s)	External Static Pressure (Pa)																			
	50		100		150		200		250		300		350		400		450		500	
	% Spd.	W	% Spd.	W	% Spd.	W	% Spd.	W	% Spd.	W	% Spd.	W	% Spd.	W	% Spd.	W	% Spd.	W	% Spd.	W
2800	52.2	1023	56.6	1275	60.3	1523	64.3	1792	68.6	2073	72.6	2346	76.1	2627	78.9	2913	83.2	3235		
2900	54.1	1106	58.0	1357	61.9	1623	66.0	1900	70.4	2191	74.1	2468	77.2	2751	80.1	3032	85.5	3372		
3000	55.9	1196	59.5	1446	63.5	1725	67.8	2013	71.9	2303	75.4	2580	78.5	2869	82.6	3198				
3100	57.5	1284	61.2	1548	65.1	1830	69.7	2133	73.4	2406	76.9	2703	80.1	3001	84.8	3371				
3200	59.1	1368	62.9	1652	67.1	1945	71.4	2238	75.0	2509	78.4	2854	82.4	3192						
3300	60.9	1480	64.6	1764	69.2	2059	73.1	2355	76.6	2676	80.1	3044	84.8	3363						
3400	62.7	1594	66.8	1887	71.1	2184	74.8	2486	78.3	2850	82.4	3188								
3500	64.5	1708	68.9	2010	72.8	2315	76.4	2641	79.9	3009	85.0	3342								
<b>3600</b>	66.7	1837	<b>70.9</b>	<b>2144</b>	74.6	2452	78.1	2802	82.4	3155										
3700	69.0	1975	72.8	2277	76.4	2603	79.9	2961	85.0	3315										
3800	71.1	2107	74.8	2411	78.2	2769	82.5	3130												
3900	73.1	2244	76.6	2578	80.0	2952	85.4	3292												
4000	75.0	2377	78.5	2750	82.8	3109														
4100	77.0	2560	80.7	2927	86.4	3266														

MOTOR / BLOWER LIMIT

### NOTES:

- % Speed = Indoor Fan Speed Control Setting, in percent (Value is set on the Control Interface via Service Menu \*).
- W = Indoor Fan Power, Watts
- Data in the box indicates Factory Default Setting.

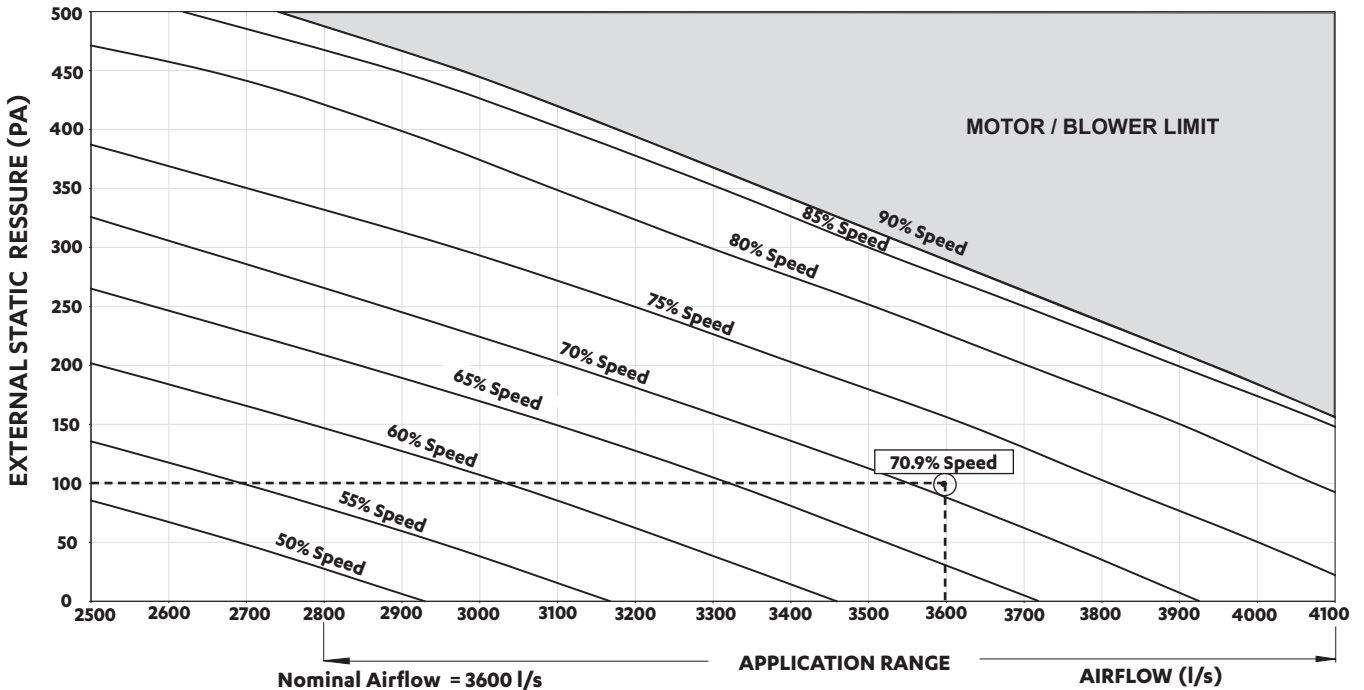
\*Service → Service Settings → Thermoregulation → Thermoregulation Gfc4



3 Phase  
Tri-Capacity

71.70 KW

## INDOOR UNIT FAN CURVE



### NOTE

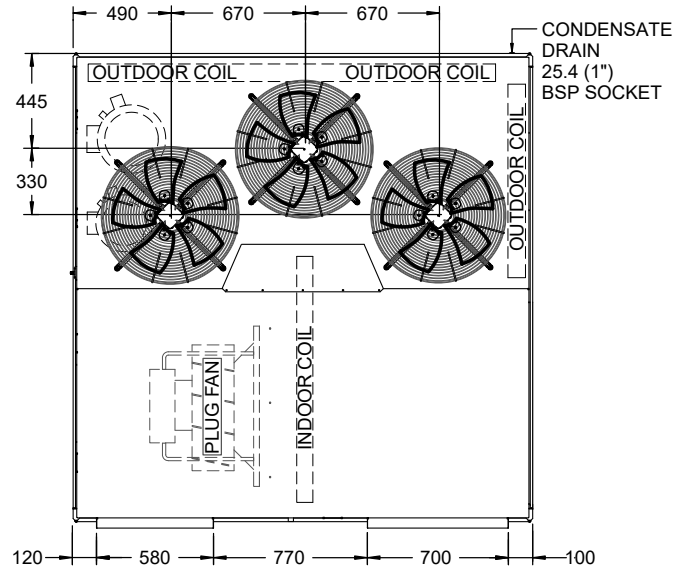
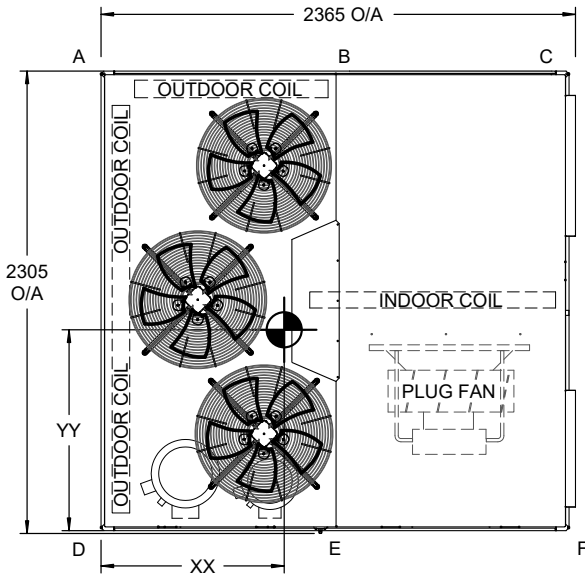
Fan Performance Data and Fan Curve shown is at dry coil and with no air filters installed. Consider external static pressure drop specific to your design requirements. Airflow should be reduced with respect to the moisture content in the air. Please review filter manufacturer for application. 2.5 m/s face velocity point will occur at 4097 l/s.



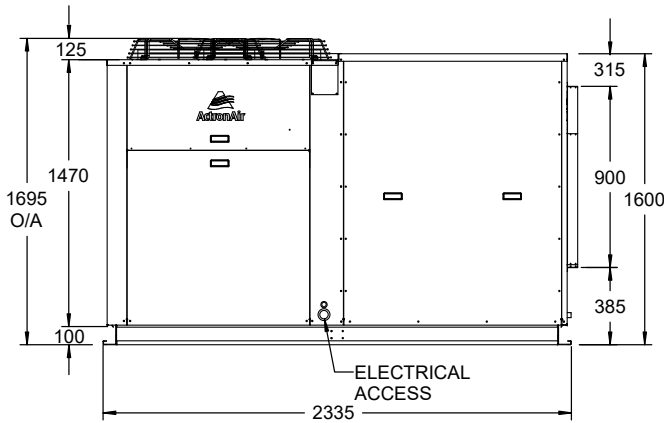
# PACKAGE UNIT DIMENSIONS

# PKY700T

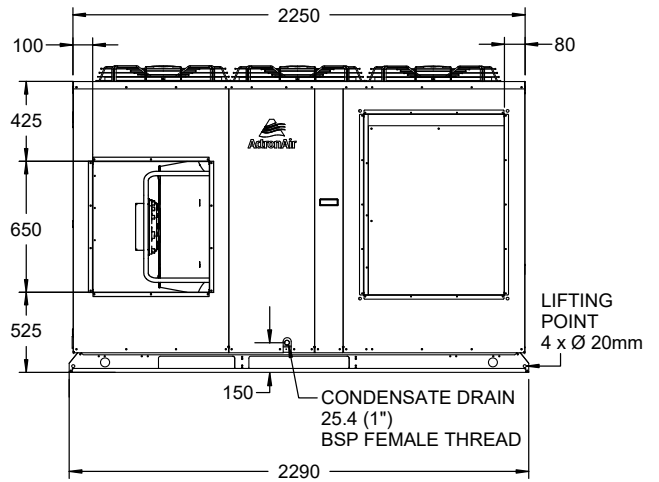
DIMENSION (H x W x D) = 1695 x 2305 x 2365  
 SUPPLY DUCT (H x W) = 650 x 580  
 RETURN DUCT = 900 x 700



TOP VIEWS



FRONT VIEW



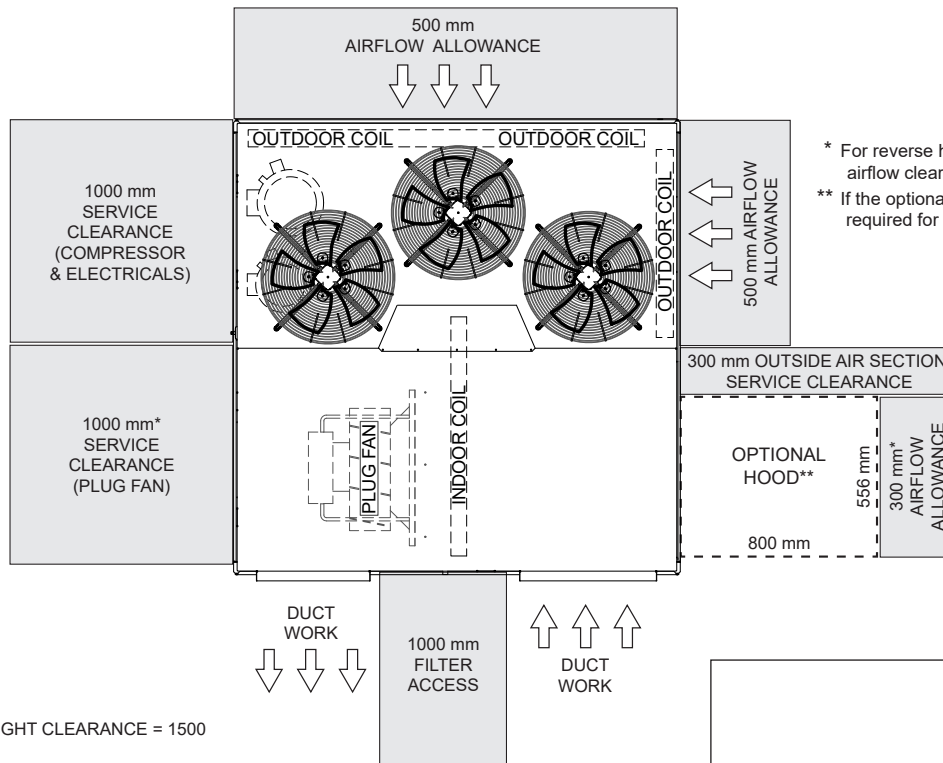
SIDE VIEW

UNIT AIR HANDING CONFIGURATION (LH / RH)	NO. OF POINTS	UNIT WEIGHT (kg)	CORNER WEIGHTS (kg)						CENTRE OF GRAVITY (mm)	
			A	B	C	D	E	F	XX	YY
LEFT HANDING	6	964	143	194	59	191	287	90	1115	1060
RIGHT HANDING	6	964	134	213	110	197	234	76		

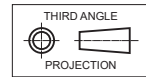


71.70 kW  
3 Phase  
Tri-Capacity

## SERVICE ACCESS AREAS AND AIRFLOW CLEARANCES



- \* For reverse handing, service clearance for plug fan and airflow clearance for hood will be reversed.
- \*\* If the optional hood is not installed, 500 mm clearance is required for service access.

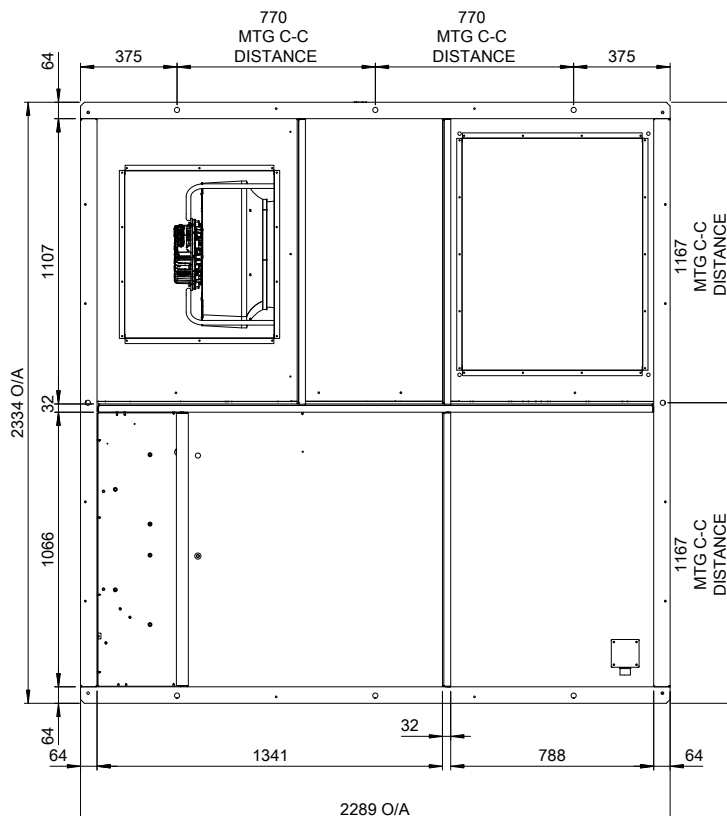


### NOTES:

1. Do not scale drawing. All dimensions are in mm unless specified. Refer to corresponding unit dimensional drawing for mounting hole details.
2. Service Access Areas and Spaces for Airflow Clearances given above are suggested minimum based on the condition that the spaces around the units are free from any obstructions and a walkway passage of 1000 mm between the units or between the unit and the outside perimeter is available.
3. Minimum service access areas and spaces for airflow clearances are responsibilities of the installer, ActronAir will not be held liable for any extra charges incurred due to lack of access and space for airflow.
4. Under all circumstances, condenser air must not recirculate back onto condenser coil. Keep all clearance free of any obstructions.
5. Maximum External Static of Outdoor Fans is 20 Pa.
6. STACKING OF UNITS: Ensure that minimum airflow and clearances are met.
7. MTG C-C DIST = Mounting Centre to Centre Distance.
8. Use M12 bolt for feet mounting.
9. LH / RH refers to Left Hand or Right Hand location of supply air.
10. Diagrams are left handing.

## UNIT BASE DIMENSIONS

Down discharge/down return option shown below



**Outdoor Radiated**

**Sound Power Level (SWL)**

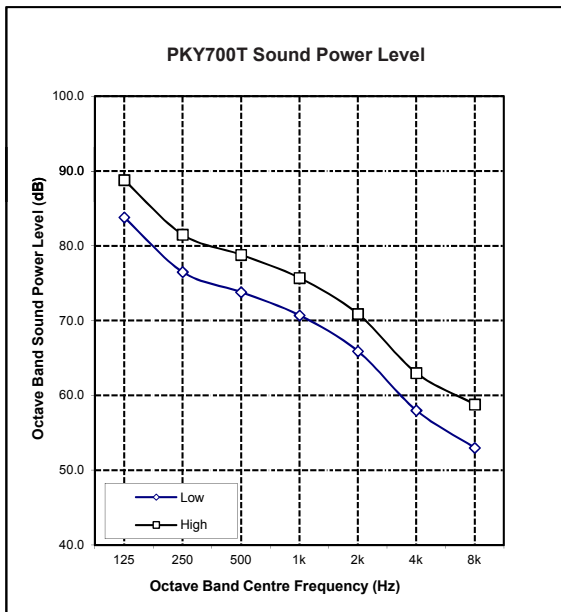
Fan Speed	Sound Power Level dB(A)	Octave Band Centre Frequency (Hz), dB						
		125	250	500	1k	2k	4k	8k
Low	77.0	83.8	76.5	73.8	70.7	65.9	58.0	53.0
High	82.0	88.8	81.5	78.8	75.7	70.9	63.0	58.8

**Indoor Outlet**

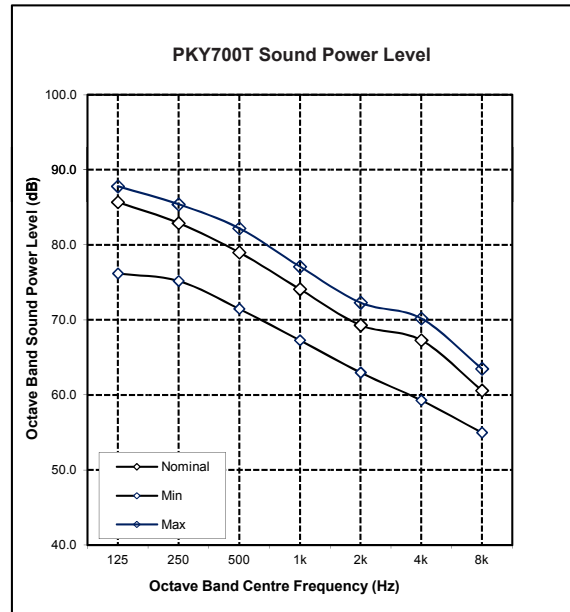
**Sound Power Level (SWL)**

Airflow Setting	Airflow Li/s	Sound Power Level dB(A)	Octave Band Centre Frequency (Hz), dB						
			125	250	500	1k	2k	4k	8k
Minimum	2800	73.4	76.2	75.2	71.5	67.3	63.0	59.3	55.0
Nominal	3600	80.8	85.7	82.9	79.0	74.1	69.3	67.3	60.6
Maximum	4100	83.7	87.8	85.4	82.2	77.1	72.3	70.2	63.5

**OUTDOOR RADIATED**



**INDOOR OUTLET**



**NOTES:**

Radiated sound power levels are based on ISO 3743-1.



71.70 kW  
3 Phase  
Tri-Capacity

# SPECIFICATIONS

# PKY700T

CONSTRUCTION	
CABINET BASE	1.9 mm Galvanised Steel
CABINET TOP AND SIDES	0.9 - 1.6 mm Galvanised Steel
SURFACE FINISH	65 microns Baked Polyester Powder Coat

INSULATION	
TYPE	Foil Faced Polyethylene

SOUND LEVEL * dB(A)	
SOUND PRESS. - Low / High	60.0 / 65.0 @ 3 m Distance
SOUND POWER LEVEL - Low / High	77.0 / 82.0

\*Sound data is based on the outdoor fan's manufacturer sound level data.

ELECTRICAL	
POWER SUPPLY - 50 Hz	400 Volts x 3 Phase + Neutral
VOLTAGE RANGE (min - max)	376V - 440V
FULL LOAD AMPS * - Phase 1	60.5
FULL LOAD AMPS * - Phase 2 & 3	60.5 and 60.5
RATED LOAD AMPS**	45.1
APPROX. STARTING AMPS	174.0
IP RATING	IP44

IMPORTANT - The local electricity authority may require limits on starting current and voltage drop, please check prior to purchase.  
 \* Full Load Amps are based on compressor and fan motor's maximum expected current.  
 \*\* Rated Load Amps are measured and tested in accordance with AS/NZS3823.1.2.

CABLE SIZE & CIRCUIT BREAKER SIZE	
Suggested minimum cable size should be used as a guide only, refer to the accordance with the latest edition of the AS/NZS 3000 "Australian/New Zealand Wiring Rules" for more details.	
CABLE SIZE (MAIN LINE)	25.0 mm <sup>2</sup> (SUGGESTED MINIMUM)
CIRCUIT BREAKER SIZE - Amps	80.0

OUTDOOR COIL	
TUBE TYPE	Copper - Rifle Bore
FIN TYPE	Aluminium - Corrugated
FACE AREA (m sqr) - Coil 1 & 2	1.45 & 2.75
FIN SPACING (per m) - Coil 1 & 2	472 & 472
COIL COATING	Hydrophilic Blue Coat Coil Fin Protection

OUTDOOR FAN	
NUMBER OF FANS x TYPE	3 x Axial Low Noise
NUMBER OF BLADES PER FAN	5
INPUT kW / FULL LOAD AMPS	0.52 / 2.62 each fan
MOTOR TYPE / DRIVE TYPE	6 Pole External Rotor / Direct Drive
FAN SPEED CONTROL	2 Speed via Capacitor
The standard type outdoor fans fitted to this unit will accept up to 20 Pa of external static resistance.	

INDOOR COIL	
TUBE TYPE	Copper - Rifle Bore
FIN TYPE	Aluminium - Louvre
FACE AREA (m sqr)	1.64 (interlaced)
FIN SPACING (per m)	472
COIL COATING	Hydrophilic Blue Coat Coil Fin Protection

INDOOR FAN	
NUMBER OF FANS x TYPE	1 x Backward Curve Plug Fan
INPUT kW / FULL LOAD AMPS	2.83 / 6.0
MOTOR TYPE / DRIVE TYPE	Variable Speed EC Motor / Direct Drive

COMPRESSOR	
NUMBER PER UNIT x TYPE	2 x Scroll (Hermetic)
FULL LOAD AMPS - (Comp. 1 & 2)	15.2 & 30.9
LOCKED ROTOR AMPS - (Comp. 1 & 2)	95.0 & 174.0
STARTING METHOD	D.O.L. (optional soft starter)

REFRIGERATION SYSTEM	
REFRIGERANT TYPE	R-410A
EXPANSION CONTROL - TYPE x NO. PER UNIT	Bi-Flow TXV (Thermostatic Valve) x 2
FACTORY CHARGE - (Crt. 1 & 2)	8,300 grams & 12,800 grams

PROTECTION DEVICES	
HIGH PRESSURE CUTOOUT SWITCH	Nonadjustable (Automatic Reset)
LOW PRESSURE CUTOOUT SWITCH	Nonadjustable (Automatic Reset)
COMPRESSOR MOTOR TEMP.	Internal Thermal Cut-Out
INDOOR FAN OVERLOAD	Full Electronic Monitoring
OUTDOOR FAN OVERLOAD	Internal Thermal Cut-Out
SUMP HEATER WATTS - (Comp. 1 & 2)	50W & 90W

ELECTRIC CONTROLS	
DEFROST METHOD	Reverse Cycle
DEFROST TYPE	Adaptive Demand Defrost
CONTROL CIRCUIT BREAKER	16.0 Amps
OPTIONAL THIRD PARTY BMS / CONTROLLER INPUTS	MODBUS 485 BACNET 485 BACNET TCP/IP 0-10VDC / 24VAC Third Party Input

OPERATING RANGE			
It is essential that the unit is correctly sized for the application and operates within its recommended range of operating conditions as shown below.			
MODE	RANGE	INDOOR AIR INTAKE TEMPERATURE	OUTDOOR AIR INTAKE TEMPERATURE
Cooling	Max.	29°C DB / 19°C WB	50°C DB
	Min.	20°C DB / 15°C WB	15°C DB
Heating	Max.	24°C DB	21°C DB / 16°C WB
	Min.	16°C DB	-10°C DB

IMPORTANT - Lower ambient available on request.  
 Contact your nearest ActronAir office for more details.

AIR FILTER PROVISION		
All return air including fresh air must have adequate filters supplied and fitted by the installing contractor. Filters are to be located in the return air filter retainer in the unit or in accessible location between the return air grille and the unit.		
ActronAir does not supply or make any provisions for return air filter.		
FILTER RAILS FITTED (Filters not Supplied)		
FILTER SIZES - H x W x T (mm)	508 x 621 x 100	407 x 621 x 100
QUANTITY	4	2

3 Phase  
Tri-Capacity

7.1.70 kW



# WIRING DIAGRAM

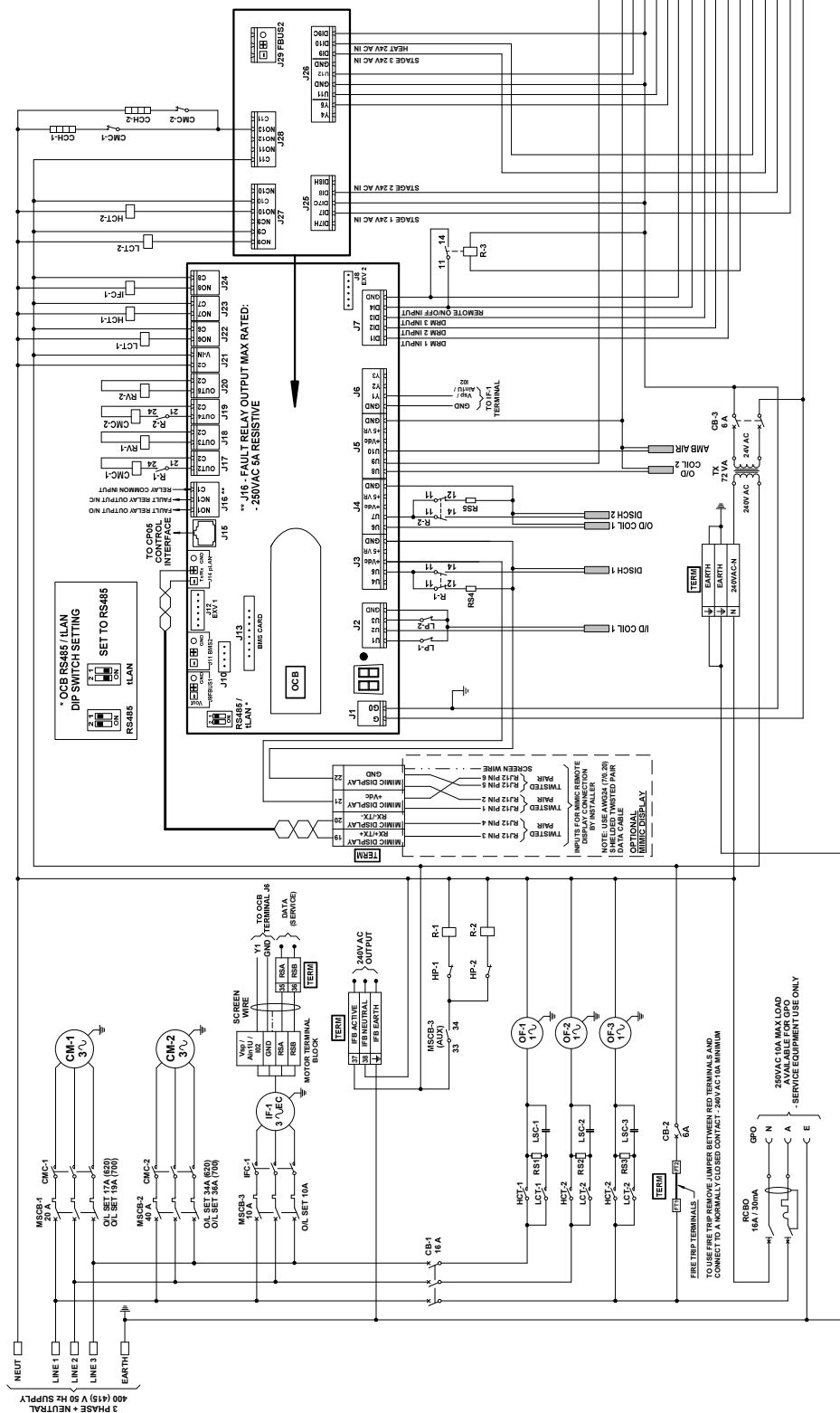
# PKY700T

73.13 kW  
3 Phase Tri-Capacity

**LEGEND**

AH-PB	AFTER HOURS PUSH BUTTON
CB	CIRCUIT BREAKER
CCH	CRANKCASE HEATER
CM	COMPRESSOR MOTOR
CMC	COMPRESSOR MOTOR CONTACTOR
GPO	GENERAL PURPOSE OUTLET
HCT	HIGH SPEED FAN CONTACTOR
HP	HIGH PRESSURE SWITCH
IF	INDOOR FAN MOTOR
IFC	INDOOR FAN CONTACTOR
LCT	LOW SPEED FAN CONTACTOR
LP	LOW PRESSURE SWITCH
LSC	LOW SPEED CAPACITOR
MSCB	MOTOR START CIRCUIT BREAKER / OL
OCB	OUTDOOR CONTROL BOARD
OF	OUTDOOR FAN MOTOR
R	RELAY
RS	RESISTOR
RV	REVERSING VALVE
RCBO	RESIDUAL CURRENT CIRCUIT BREAKER / OL
TERM	TERMINAL BLOCK
TX	TRANSFORMER

**FINAL COMMISSIONING FAN SETPOINT VOLTAGE**  
Fan Speed: ..... V or %  
Date: .....



**\*OCB RS485 / LAN DIP SWITCH SETTING**  
DIP SWITCH SETTING  
RS485: 2 (ON), 1 (OFF)  
LAN: 2 (ON), 1 (OFF)

**ActronAir**

Base Model No: PKY620-700T  
Description: CM100 TRI-CAPACITY CONTROL SYSTEM WIRING DIAGRAM

Variation Code: STANDARD

Drawn: JL  
Date: 11-01-2021  
Drawing No: 0515-8606

Approved: RL  
Date: 14-03-2023

Revision: B  
Size: A3

14-03-2023

3710

PCR

By: JL

Date: 14-03-2023

DESCRIPTION: CHANGED TERMINAL DESC. FOR ID FAN TO ALLOW DIFFERENT MANUFACTURERS CONNECTIONS. REMOVE DEFAULT FAN SPEED SETTINGS TABLE. SET ID FAN OIL TO 10A

Rev. A

ORIGINAL

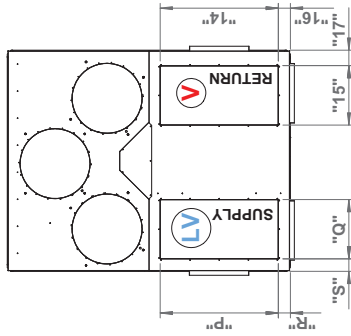


**SUPPLY OUTLET DIMENSIONS**

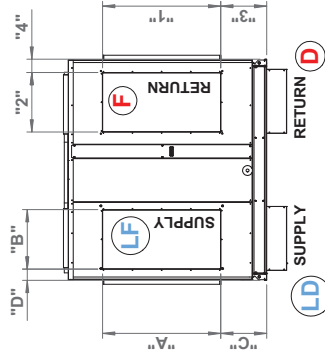
	LF					LD										LS					LV													
	A	B	C	D	E	F	G	H	J	K	L	M	N	P	Q	R	S	F	G	H	I	J	K	L	M	N	O	P	Q	R	S			
PKY470-540	653	583	404	117	653	583	266	170	201	653	583	418	303	583	653	300	120	653	583	266	170	201	653	583	418	303	583	653	300	120				
PKY620-700	653	583	525	117	653	583	266	170	201	653	583	524	303	653	583	265	118	653	583	266	170	201	653	583	524	303	653	583	265	118				
PKY820-960	1203	605	469	115	1254	651	98	102	203	1203	605	467	423	1203	605	122	127	1203	605	469	115	1254	651	98	102	203	1203	605	467	423	1203	605	122	127

**RETURN INLET DIMENSIONS**

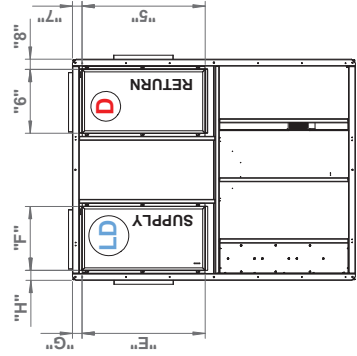
	F					D										S					V													
	1	2	3	4	5	6	7	8	9	10	11	12	13	14	15	16	17	1	2	3	4	5	6	7	8	9	10	11	12	13	14	15	16	17
PKY470-540	903	703	292	98	903	703	142	106	201	903	703	360	252	903	703	140	100	903	703	292	98	903	703	142	106	201	903	703	360	252	903	703	140	100
PKY620-700	903	703	385	98	903	703	142	106	201	903	703	385	252	903	703	140	100	903	703	385	98	903	703	142	106	201	903	703	385	252	903	703	140	100
PKY820-960	1203	605	469	136	1254	651	98	102	203	1203	605	467	422	1203	605	122	157	1203	605	469	136	1254	651	98	102	203	1203	605	467	422	1203	605	122	157



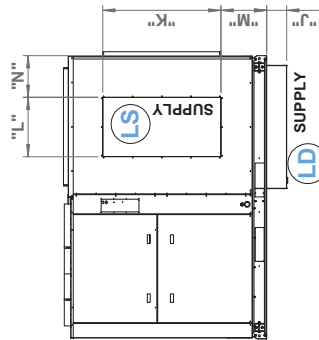
**TOP VIEW**



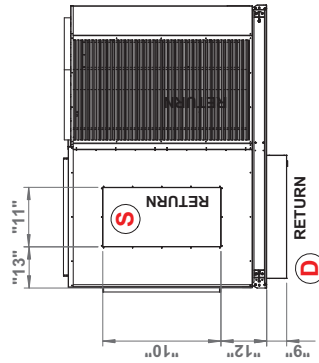
**END VIEW**



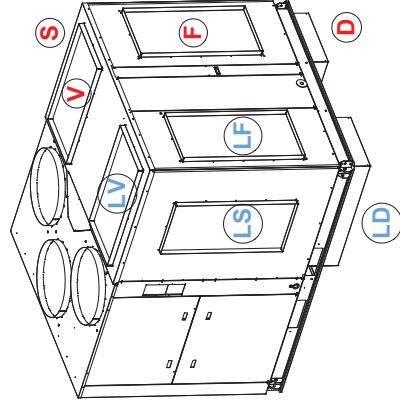
**BOTTOM VIEW**



**LH SIDE**



**RH SIDE**



**STANDARD PKY470-960T  
SUPPLY & RETURN  
L\*\*T VARIATIONS**

**LEGEND FOR SUPPLY POSITIONS**

- LD = LEFT DOWN SUPPLY
- LF = LEFT FRONT SUPPLY
- LS = LEFT SIDE SUPPLY
- LV = LEFT VERTICAL SUPPLY

**LEGEND FOR RETURN POSITIONS**

- D = RIGHT DOWN RETURN
- F = RIGHT FRONT RETURN
- S = RIGHT SIDE RETURN
- V = RIGHT VERTICAL RETURN

- NOTE: UNIT VIEWED FROM AIR HANDLING END
- SIZE AND POSITION OF RETURN & SUPPLY ARE INDICATIVE ONLY. SEE TABLE FOR ACTUAL SIZE AND POSITION FOR EACH PARTICULAR MODEL
- ALL FLANGES ARE OUTSIDE DIMENSIONS
- ALL FLANGES ARE RAW EDGE EXCEPT FOR DOWN SUPPLY (LD) & DOWN RETURN (D) ON PKY820-960 WHICH HAVE A 26mm INTERNAL RETURN FLANGE.
- ALL DIMENSIONS ARE FROM OUTSIDE EDGE OF BASE

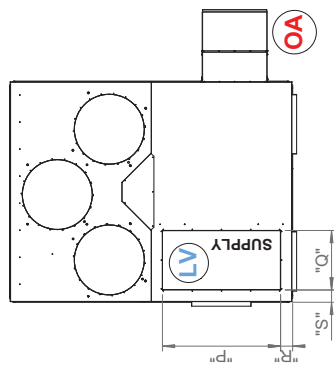
**73.13 kW**  
**3 Phase** **Tri-Capacity**

**SUPPLY OUTLET DIMENSIONS**

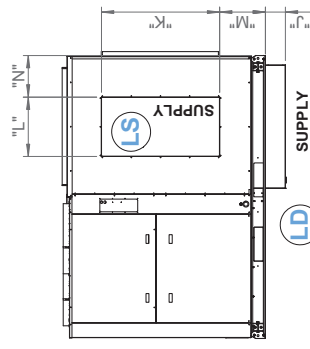
	LF					LD											LS					LV				
	A	B	C	D	E	F	G	H	I	J	K	L	M	N	O	P	Q	R	S	T	U	V	W	X	Y	Z
PKY470-540	653	583	404	117	653	583	266	170	201	653	583	418	303	583	653	300	120	653	583	418	303	583	653	300	120	
PKY620-700	653	583	524	117	653	583	266	170	201	653	583	524	303	653	583	265	118	653	583	524	303	653	583	265	118	
PKY820-960	1203	605	469	116	1254	651	98	102	203	1203	605	467	423	1203	605	122	127	1203	605	467	423	1203	605	122	127	

**RETURN INLET DIMENSIONS**

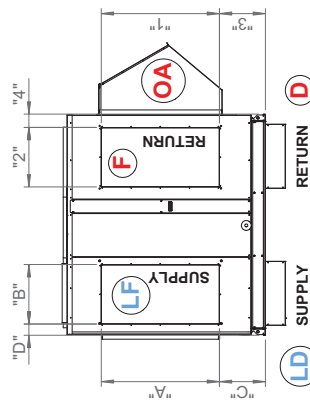
	F											D											OA						
	1	2	3	4	5	6	7	8	9	10	11	12	13	14	15	16	17	18	19	20	21	22	23	24	25	26	27		
PKY470-540	903	703	295	80	NA	NA	NA	NA	NA	NA	NA	1197	557	138	227	NA	NA	NA	NA	NA	NA	NA	1197	557	248	227	NA	NA	NA
PKY620-700	903	703	385	97	NA	NA	NA	NA	NA	NA	NA	1197	557	248	227	NA	NA	NA	NA	NA	NA	NA	1197	557	248	227	NA	NA	NA
PKY820-960	1203	605	469	136	1254	651	98	102	203	1258	668	441	255	NA	NA	NA	NA	NA	NA	NA	NA	NA	1258	668	441	255	NA	NA	NA



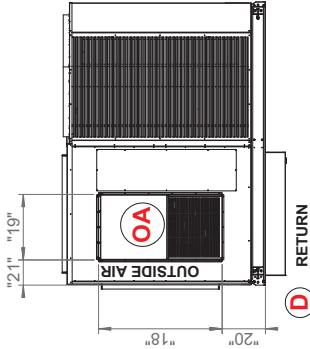
**TOP VIEW**



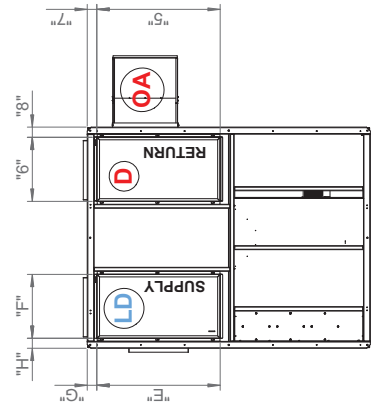
**LH SIDE**



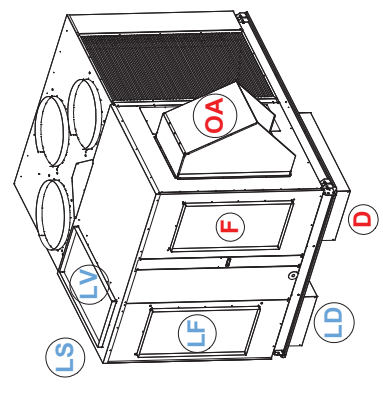
**END VIEW**



**RH SIDE**



**BOTTOM VIEW**



**STANDARD PKY470-960T  
SUPPLY & RETURN  
L\*\*T-E VARIATIONS**

- NOTE: UNIT VIEWED FROM AIR HANDLING END
- SIZE AND POSITION OF RETURN & SUPPLY ARE INDICATIVE ONLY, SEE TABLE FOR ACTUAL SIZE AND POSITION FOR EACH PARTICULAR MODEL
- ALL FLANGES ARE OUTSIDE DIMENSIONS
- ALL FLANGES ARE RAW EDGE EXCEPT FOR DOWN SUPPLY (LD) & DOWN RETURN (D) ON PKY820-960 WHICH HAVE A 26mm INTERNAL RETURN FLANGE.
- ALL DIMENSIONS ARE FROM OUTSIDE EDGE OF BASE

NOTE:  
ON MODELS PKY470T TO PKY700T ECONOMISER IS "OUTSIDE AIR" IS NOT AVAILABLE AS A STANDARD OPTION WITH A "DOWN RETURN" ONLY AVAILABLE WITH A "FRONT RETURN" AS STANDARD.  
A VR REQUEST CAN BE MADE FOR SPECIAL CONFIGURATION OF OUTSIDE AIR.

**LEGEND FOR SUPPLY POSITIONS**

- LD = LEFT DOWN SUPPLY
- LF = LEFT FRONT SUPPLY
- LS = LEFT SIDE SUPPLY
- LV = LEFT VERTICAL SUPPLY

**LEGEND FOR RETURN POSITIONS**

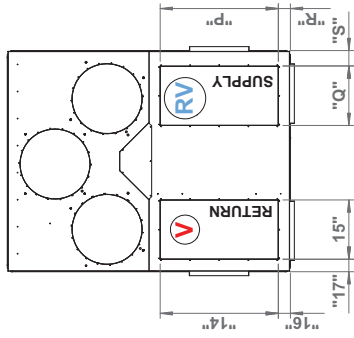
- D = RIGHT DOWN RETURN
- F = RIGHT FRONT RETURN
- OA = OUTSIDE AIR RETURN
- NOTE: WEATHERHOOD IS AN OPTION

**SUPPLY OUTLET DIMENSIONS**

	RF			RD			RS						RV				
	A	B	C	D	E	F	G	H	J	K	L	M	N	P	Q	R	S
PKY470-540	653	583	404	117	653	583	266	170	201	653	583	418	303	583	300	120	
PKY620-700	653	583	524	117	653	583	266	170	201	653	583	524	303	653	583	265	118
PKY820-960	1203	605	469	115	1254	651	98	102	203	1203	605	467	423	1203	605	122	127

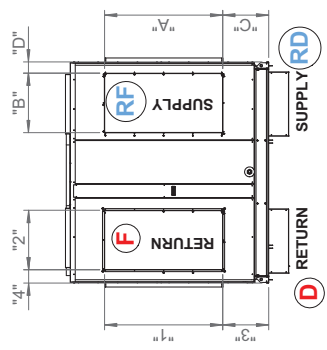
**RETURN INLET DIMENSIONS**

	F			D			S						V				
	1	2	3	4	5	6	7	8	9	10	11	12	13	14	15	16	17
PKY470-540	903	703	292	98	903	703	142	106	201	903	703	360	252	903	703	140	100
PKY620-700	903	703	385	98	903	703	142	106	201	903	703	385	252	903	703	140	100
PKY820-960	1203	605	469	136	1254	651	98	102	203	1203	605	467	422	1203	605	122	157

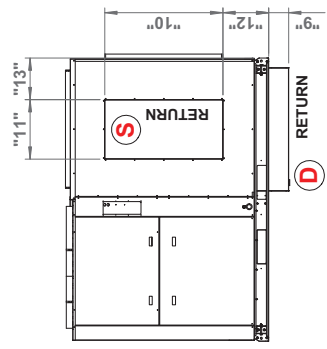


- NOTE: UNIT VIEWED FROM AIR HANDLING END
- SIZE AND POSITION OF RETURN & SUPPLY ARE INDICATIVE ONLY. SEE TABLE FOR ACTUAL SIZE AND POSITION FOR EACH PARTICULAR MODEL
- ALL FLANGES ARE OUTSIDE DIMENSIONS
- ALL FLANGES ARE RAW EDGE EXCEPT FOR DOWN SUPPLY (RD) & DOWN RETURN (D) ON PKY820-960 WHICH HAVE A 26mm INTERNAL RETURN FLANGE.
- ALL DIMENSIONS ARE FROM OUTSIDE EDGE OF BASE

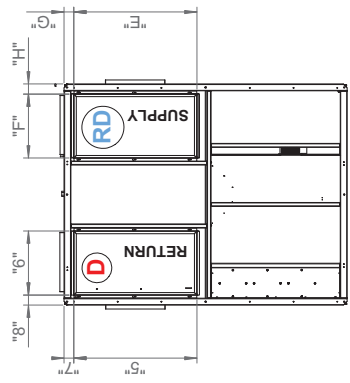
**TOP VIEW**



**END VIEW**



**LH SIDE**



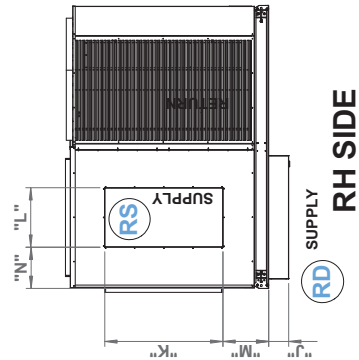
**BOTTOM VIEW**

**LEGEND FOR SUPPLY POSITIONS**

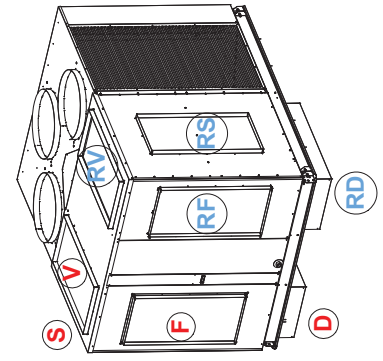
- RD = RIGHT DOWN SUPPLY
- RF = RIGHT FRONT SUPPLY
- RS = RIGHT SIDE SUPPLY
- RV = RIGHT VERTICAL SUPPLY

**LEGEND FOR RETURN POSITIONS**

- D = LEFT DOWN RETURN
- F = LEFT FRONT RETURN
- S = LEFT SIDE RETURN
- V = LEFT VERTICAL RETURN



**RH SIDE**



**STANDARD PKY470-960T  
SUPPLY & RETURN  
R\*\*T VARIATIONS**

# AIR HANDLING VARIATIONS

# PKY700T

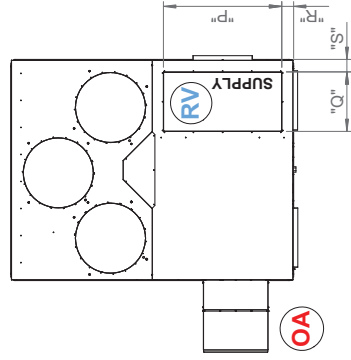
**73.13 kW**  
**3 Phase** **Tri-Capacity**

**SUPPLY OUTLET DIMENSIONS**

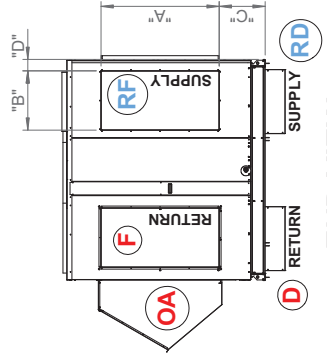
	RF			RD												RV		
	A	B	C	D	E	F	G	H	J	K	L	M	N	P	Q	R	S	
PKY470-540	653	583	404	117	653	583	266	170	201	653	583	418	303	583	653	300	120	
PKY620-700	653	583	524	117	653	583	266	170	201	653	583	524	303	653	583	265	118	
PKY820-960	1203	605	469	115	1254	651	98	102	203	1203	605	467	423	1203	605	122	127	

**RETURN INLET DIMENSIONS**

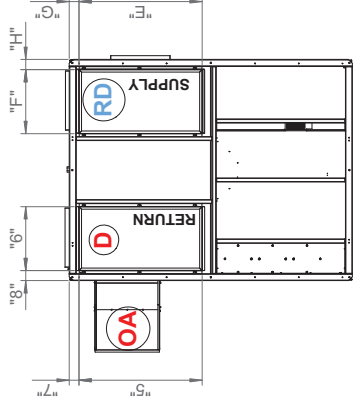
	D												OA			
	1	2	3	4	5	6	7	8	9	NA	NA	NA	18	19	20	21
PKY470-540	903	703	295	80	NA	NA	NA	NA	NA	1197	557	138	227			
PKY620-700	903	703	385	97	NA	NA	NA	NA	NA	1197	557	248	227			
PKY820-960	1203	605	469	136	1254	651	98	102	203	1258	668	441	255			



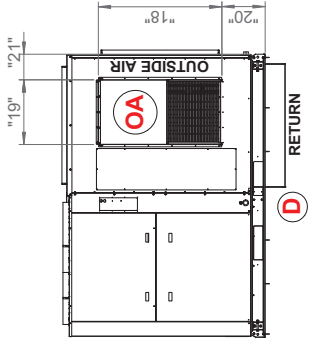
**TOP VIEW**



**END VIEW**



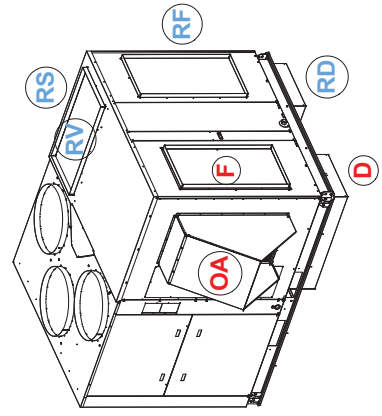
**BOTTOM VIEW**



**LH SIDE**



**RH SIDE**



**NOTE:**  
ON MODELS PKY470T TO PKY700T ECONOMISER ie "OUTSIDE AIR" IS NOT AVAILABLE AS A STANDARD OPTION WITH A "DOWN RETURN" ONLY AVAILABLE WITH A "FRONT RETURN" AS STANDARD.  
A VR REQUEST CAN BE MADE FOR SPECIAL CONFIGURATION OF OUTSIDE AIR.

**STANDARD PKY470-960T SUPPLY & RETURN R\*\*T-E VARIATIONS**

**LEGEND FOR SUPPLY POSITIONS**

- RD = RIGHT DOWN SUPPLY
- RF = RIGHT FRONT SUPPLY
- RS = RIGHT SIDE SUPPLY
- RV = RIGHT VERTICAL SUPPLY

**LEGEND FOR RETURN POSITIONS**

- D = LEFT DOWN RETURN
  - F = LEFT FRONT RETURN
  - OA = OUTSIDE AIR RETURN
- NOTE: WEATHERHOOD IS AN OPTION**