

ECOFLEX MINI VRF R32 SERIES

One-Way Cassette Indoor Unit

Installation and Commissioning Guide



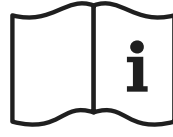
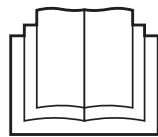
Model Numbers

MOC-018CS
MOC-022CS
MOC-028CS
MOC-036CS
MOC-045CS
MOC-056CS
MOC-071CS



CAUTION:

The system is charged with flammable refrigerant, safety checks are necessary to ensure that the risk of ignition is minimised.



IMPORTANT NOTE:

Please read the R-32 Safety Manual and this manual carefully before installing or operating your air conditioning unit. Information in this manual is to be used in conjunction with the R-32 Safety Manual. Make sure to save this manual for future reference.



Table of Contents

01. Preface	3
02. Safety Warning	4
02.01. Warning Signs	4
02.02. Safety Precautions	5
02.03. Electric Safety Requirements	6
02.04. Appendix	7
03. Installation Precautions	10
03.01. Qualification and Safety Regulation Requirements	10
03.02. Precautions for Carrying and Lifting the Air Conditioner	12
03.03. Installation Sites - Not Recommended	12
03.04. Recommended Installation Sites	12
03.05. Parts	15
03.06. Product Dimensions	16
04. 2 Installation Materials	17
04.01. Accessories	17
04.02. Locally Purchased Accessories	18
04.03. Heat Insulation Material Requirements	18
05. Preparations Before Installation	19
05.01. Unpacking Check	19
05.02. Indoor Unit (Indoor Unit) Positioning	19
05.03. Determine the positions of the ceiling opening, the unit and the lifting screws	21
06. Indoor Unit Installation	24
06.01. Installation of lifting bolts	24
06.02. Installation of Lifting Bolts	24
06.03. Indoor Unit Installation	25
06.04. Panel Installation	26
07. Refrigerant Connecting Piping Installation	30
07.01. Pipe Layout	30
07.02. Pipe Connection Steps	30
07.03. Pipe Connection	31
07.04. Refrigerant Piping Fixing	33
07.05. Vacuum Pumping	34
07.06. Leak Detection	34
07.07. Heat Insulation Treatment	34
08. Drainage Pipe Installation	35
08.01. Installation of Water Discharge Pipe for the Indoor Unit	35
08.02. Water Discharge Test	38
09. Electrical Connection	39
09.01. Electrical Characteristics	40
09.02. Schematic diagram of the main terminal blocks of main control board	40
09.03. Wiring	41
10. Application Control	56
10.01. Error Codes and Definitions	56
10.02. Operating Status Codes and Definitions (Non-Error)	58
10.03. Spot Check Description	59
11. Test Run	60
11.01. Test Run	60
11.02. Indoor Unit	60
11.03. Outdoor Unit	60
11.04. Inspection After Installation	61

12. Cleaning, Maintenance and After-Sales Service	62
12.01. Safety Warning	62
12.02. Cleaning and Maintenance	62
12.03. Maintenance of Conventional Parts	65

01. Preface

Dear users,

Thank you for purchasing and using our product. Please read this manual carefully before you install, use, maintain or troubleshoot this product so that you can familiarize yourself with the product and use it correctly.




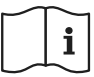
For Outdoor Units or other Indoor Units, please refer to the applicable installation & owner’s manuals provided with them.

For detailed operation of auxiliary control devices, such as wired, remote and centralized controllers, please refer to their instructions.

- To ensure the correct installation and operation of the product, the following instructions are provided:
- To ensure the correct and safe operation of the product, please strictly follow the requirements listed in this manual.
- All figures and contents in this manual are for reference only. Due to continuing product improvement, the specifications are subject to change without notice.
- Regular cleaning and maintenance of the product are required for intended performance and long service life. Each year before using the air conditioner, please contact your local dealer, and we will assign professionals to provide paid services of cleaning, maintenance, and inspection.
- Please retain this manual for future reference.




02. Safety Warning

Please thoroughly read and ensure that you fully understand the safety precautions (including the signs and symbols) in this manual, and follow relevant instructions during use to prevent damage to health or property.

	WARNING	This symbol shows that this appliance used a flammable refrigerant. If the refrigerant is leaked and exposed to an external ignition source, there is a risk of fire.
	CAUTION	This symbol shows that the operation manual should be read carefully.
	CAUTION	This symbol shows that a service personnel should be handling this equipment with reference to the installation manual.
	CAUTION	This symbol shows that information is available such as the operating manual or installation manual.

02.01. Warning Signs

Different marks are used to indicate the levels of hazard severity. Please follow the instructions and ensure safe operation:

	DANGER	Failure to observe the warning will result in severe personal injury or death.
	WARNING	Failure to observe the warning could result in severe personal injury or death, property damage, or electrical or fire hazards.
	CAUTION	Failure to observe the warning could result in minor personal injury, product or property damage, or other unsafe situations.
	NOTE	Useful operation and maintenance information.

Warning Contets



Ensure Proper Grounding



Professional Only

Prohibition signs



No Flammable Materials



No Strong Current



No Open Fire



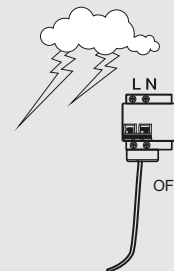
No Acid or Alkali Materials

02.02. Safety Precautions



DANGER

During thunderstorms, disconnect the main power switch. Otherwise, lightning may damage the unit. In the event of refrigerant leakage, smoking and open flames are prohibited. Disconnect the main power switch immediately, open windows to allow ventilation, keep away from the leakage point, and contact your local dealer or technical support to request a professional repair.



WARNING

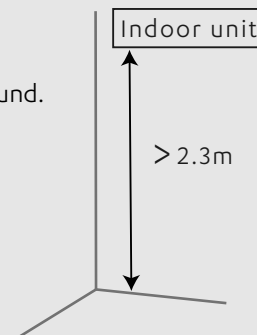
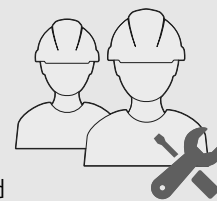
Air conditioner installation must comply with local standards and electrical codes, and relevant instructions in this manual.

Do not use any liquid cleanser, liquefied cleanser, or corrosive cleanser to wipe this unit or spray water or other liquids on the unit. Otherwise, the plastic parts of the unit will become damaged and an electrical shock may occur. Disconnect the main power switch before cleaning and maintenance to avoid accidents.

Ask a professional to remove and reinstall the air conditioner. Ask a professional for maintenance and repair assistance.

This air conditioner is classified as an “appliance which is not accessible to the general public”.

The Indoor Unit shall be placed at a height not accessible to children, at least 2.3m above the ground.



CAUTION

This appliance is not intended for use by persons (including children) with reduced physical, sensory or mental capabilities, or lack of experience and knowledge, unless they have been given supervision or instruction concerning use of the appliance by a person responsible for their safety.

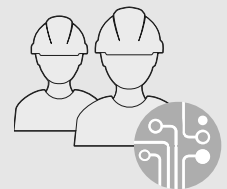
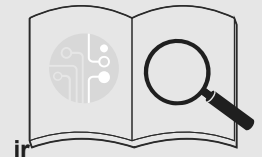
Children should be supervised to ensure that they do not play with the appliance.

The units are partial unit air conditioners, complying with partial unit requirements of this International Standard, and must only be connected to other units that have been confirmed as complying to corresponding partial unit requirements of this International Standard.

02.03. Electric Safety Requirements

WARNING

- The air conditioner shall be installed according to the local wiring specifications. Wiring work must be completed by qualified electricians.
- All wiring work must comply with electrical safety specifications.
- The air conditioner must be well grounded. Specifically, the main switch of the air conditioner must have a reliable grounding cable.
- Before contacting wiring devices, cut off all the power supplies.
- The user **MAY NOT** disassemble or repair the air conditioner. Doing so can be dangerous. In the event of a fault, immediately cut off the power and contact your local dealer or technical support.
- A separate power supply that meets the rated parameter values must be provided for the air conditioner.
- The fixed wiring to which the air conditioner is connected must be equipped with a power cut-off device that meets the wiring requirements.
- To avoid danger, a damaged power cable must be replaced by professionals from the maintenance department or a similar department of the manufacturer.
- The air conditioner's circuit board (PCB) is designed with a fuse to provide overcurrent protection.
- The specifications of the fuse are printed on the circuit board.



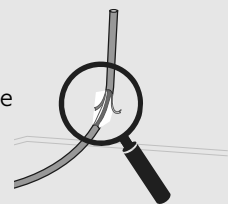
NOTE: For the units with R-32 refrigerant, only the blast-proof ceramic fuse can be used.

CAUTION

Always ground the main power switch.

Do not use a damaged power cable and replace it if it is damaged.

When the air conditioner is used for the first time or is in a power-off state for a long time, it needs to be connected to the power supply and warmed up for at least 12 hours before use.



02.04. Appendix

WARNING

The following applies to R32 refrigerant systems.

- Prior to beginning work on systems containing flammable refrigerants, safety checks are necessary to ensure that the risk of ignition is minimized.
- For repair to the refrigerating system, the following precautions shall be complied with prior to conducting work on the system.
- Work shall be undertaken under a controlled procedure so as to minimise the risk of a flammable gas or vapour being present while the work is being performed.
- All maintenance staff and others working in the local area shall be instructed on the nature of work being carried out. Work in confined spaces shall be avoided. The area around the workspace shall be sectioned off. Ensure that the conditions within the area have been made safe by control of flammable material.
- The area shall be checked with an appropriate refrigerant detector prior to and during work, to ensure the technician is aware of potentially flammable atmospheres.
- Ensure that the leak detection equipment being used is suitable for use with flammable refrigerants, i.e. non-sparking, adequately sealed or intrinsically safe.
- If any hot work is to be conducted on the refrigeration equipment or any associated parts, appropriate fire extinguishing equipment shall be available to hand. Have a dry powder or CO2 fire extinguisher adjacent to the charging area.
- No person carrying out work in relation to a refrigeration system which involves exposing any pipe work that contains or has contained flammable refrigerant shall use any sources of ignition in such a manner that it may lead to the risk of fire or explosion.
- All possible ignition sources, including cigarette smoking, should be kept sufficiently far away from the site of installation, repairing, removing and disposal, during which flammable refrigerant can possibly be released to the surrounding space.
- Prior to work taking place, the area around the equipment is to be surveyed to make sure that there are no flammable hazards or ignition risks. "No Smoking" signs shall be displayed.
- Ensure that the area is in the open or that it is adequately ventilated before breaking into the system or conducting any hot work. A degree of ventilation shall continue during the period that the work is carried out. The ventilation should safely disperse any released refrigerant and preferably expel it externally into the atmosphere.
- Where electrical components are being changed, they shall be fit for the purpose and to the correct specification. At all times the manufacturer's maintenance and service guidelines shall be followed. If in doubt consult the manufacturer's technical department for assistance.
- The following checks shall be applied to installations using flammable refrigerants:
 - the charge size is in accordance with the room size within which the refrigerant containing parts are installed;
 - the ventilation machinery and outlets are operating adequately and are not obstructed;
 - if an indirect refrigerating circuit is being used, the secondary circuit shall be checked for the presence of refrigerant; which may corrode refrigerant containing components, unless the components are constructed of materials which are inherently resistant to being corroded or are suitably protected against being so corroded.
- Repair and maintenance to electrical components shall include initial safety checks and component inspection procedures.
- If a fault exists that could compromise safety, then no electrical supply shall be connected to the circuit until it is satisfactorily dealt with. If the fault compromises safety then the unit should not be operated at all.
- Initial safety checks shall include:
 - that capacitors are discharged: this shall be done in a safe manner to avoid possibility of sparking;
 - that no live electrical components and wiring are exposed while charging, recovering or purging the system;
 - that there is continuity of earth bonding.
- During repairs to sealed components, all electrical supplies shall be disconnected from the equipment being worked upon prior to any removal of sealed covers, etc. If it is absolutely necessary to have an electrical supply to equipment during servicing, then a permanently operating form of leak detection shall be located at the most critical point to warn of a potentially hazardous situation.

- Particular attention shall be paid to the following to ensure that by working on electrical components, the casing is not altered in such a way that the level of protection is affected. This shall include damage to cables, excessive number of connections, terminals not made to original specification, damage to seals, incorrect fitting of glands, etc.
- Ensure that seals or sealing materials have not degraded such that they no longer serve the purpose of preventing the ingress of flammable atmospheres.
- Replacement parts shall be in accordance with the manufacturer's specifications.
- Do not apply any permanent inductive or capacitance loads to the circuit without ensuring that this will not exceed the permissible voltage and current permitted for the equipment in use.
- Intrinsically safe components are the only types that can be worked on while live in the presence of a flammable atmosphere. The test apparatus shall be at the correct rating.
- Replace components only with parts specified by the manufacturer. Other parts may result in the ignition of refrigerant in the atmosphere from a leak.
- Check that cabling will not be subject to wear, corrosion, excessive pressure, vibration, sharp edges or any other adverse environmental effects. The check shall also take into account the effects of ageing or continual vibration from sources such as compressors or fans.
- When opening the refrigerant circuit to make repairs – or for any other purpose – conventional procedures shall be used. However, it is important that best practice is followed.
- Since flammability is a consideration. The following procedure shall be adhered to:
 - remove refrigerant;
 - purge the circuit with inert gas;
 - evacuate;
 - purge again with inert gas;
 - open the circuit by cutting or brazing.

The refrigerant charge shall be recovered into the correct recovery cylinders. The system shall be "flushed" with Oxygen-Free Nitrogen to render the unit safe. This process may need to be repeated several times. Compressed air or oxygen shall not be used for this task.

Flushing shall be achieved by breaking the vacuum in the system with Oxygen-Free Nitrogen and continuing to fill until the working pressure is achieved, then venting to atmosphere, and finally pulling down to a vacuum.

- This process shall be repeated until no refrigerant is within the system. When the final Oxygen-Free Nitrogen charge is used, the system shall be vented down to atmospheric pressure to enable work to take place.
- This operation is absolutely vital if brazing operations on the pipe-work are to take place.
- Ensure that the outlet for the vacuum pump is not close to any ignition sources and there is ventilation available.
- Ensure that contamination of different refrigerants does not occur when using charging equipment. Hoses or lines shall be as short as possible to minimise the amount of refrigerant contained in them.
- Prior to recharging the system it shall be pressure tested with Oxygen-Free Nitrogen.
 1. Become familiar with the equipment and its operation.
 2. Isolate system electrically.
 3. Before attempting the procedure ensure that:
 - mechanical handling equipment is available, if required, for handling refrigerant cylinders;
 - all personal protective equipment is available and being used correctly;
 - the recovery process is supervised at all times by a competent person;
 - recovery equipment and cylinders conform to the appropriate standards.
 4. Pump down refrigerant system, if possible.
 5. If a vacuum is not possible, make a manifold so that refrigerant can be removed from various parts of the system.
 6. Make sure that cylinder is situated on the scales before recovery takes place.
 7. Start the recovery machine and operate in accordance with manufacturer's instructions.
 8. Do not overfill cylinders. (No more than 80 % volume liquid charge).
 9. Do not exceed the maximum working pressure of the cylinder, even temporarily.

10. When the cylinders have been filled correctly and the process completed, make sure that the cylinders and the equipment are removed from site promptly and all isolation valves on the equipment are closed off.
 11. Recovered refrigerant shall not be charged into another refrigeration system unless it has been cleaned and checked.
- This process shall be repeated until no refrigerant is within the system. When the final Oxygen-Free Nitrogen charge is used, the system shall be vented down to atmospheric pressure to enable work to take place.
 - This operation is absolutely vital if brazing operations on the pipe-work are to take place.
 - Ensure that the outlet for the vacuum pump is not close to any ignition sources and there is ventilation available.
 - Ensure that contamination of different refrigerants does not occur when using charging equipment. Hoses or lines shall be as short as possible to minimise the amount of refrigerant contained in them.
 - Prior to recharging the system it shall be pressure tested with Oxygen-Free Nitrogen.
 - Before carrying out this procedure, it is essential that the technician is completely familiar with the equipment and all its detail. It is recommended good practice that all refrigerants are recovered safely. Prior to the task being carried out, an oil and refrigerant sample shall be taken in case analysis is required prior to re-use of reclaimed refrigerant. It is essential that electrical power is available before the task is commenced.
 - Equipment shall be labelled stating that it has been de-commissioned and emptied of refrigerant. The label shall be dated and signed. Ensure that there are labels on the equipment stating the equipment contains flammable refrigerant.
 - When removing refrigerant from a system, either for servicing or decommissioning, it is recommended good practice that all refrigerants are removed safely.
 - When transferring refrigerant into cylinders, ensure that only appropriate refrigerant recovery cylinders are employed. Ensure that the correct number of cylinders for holding the total system charge are available. All cylinders to be used are designated for the recovered refrigerant and labelled for that refrigerant (i.e. special cylinders for the recovery of refrigerant). Cylinders shall be complete with pressure relief valve and associated shut-off valves in good working order. Empty recovery cylinders are evacuated and, if possible, cooled before recovery occurs.
 - The recovery equipment shall be in good working order with a set of instructions concerning the equipment that is at hand and shall be suitable for the recovery of flammable refrigerants. In addition, a set of calibrated weighing scales shall be available and in good working order. Hoses shall be complete with leak-free disconnect couplings and in good condition. Before using the recovery machine, check that it is in satisfactory working order, has been properly maintained and that any associated electrical components are sealed to prevent ignition in the event of a refrigerant release. Consult manufacturer if in doubt.
 - The recovered refrigerant shall be returned to the refrigerant supplier in the correct recovery cylinder, and the relevant Waste Transfer Note arranged. Do not mix refrigerants in recovery units and especially not in cylinders.
 - If compressors or compressor oils are to be removed, ensure that they have been evacuated to an acceptable level to make certain that flammable refrigerant does not remain within the lubricant. The evacuation process shall be carried out prior to returning the compressor to the suppliers. Only electric heating to the compressor body shall be employed to accelerate this process. When oil is drained from a system, it shall be carried out safely.
 - Warning: disconnect the appliance from its power source during service and when replacing parts.
 - These units are partial unit air conditioners, complying with partial unit requirements of this International Standard, and must only be connected to other units that have been confirmed as complying to corresponding partial unit requirements of this International Standard.

03. Installation Precautions

03.01. Qualification and Safety Regulation Requirements

WARNING

- **Please carry out the installation according to local standards. Ask your local dealer or professionals to install the product.**

This unit must be installed by professional technicians with relevant specialized knowledge. Users MAY NOT install the unit themselves; otherwise, faulty operations may cause the risks of fire, electrical shock, injury, or leakage, which could harm you or others or damage the air conditioner.

- **Never modify or repair the unit on your own.**

Otherwise, a fire, electric shock, injury or water leakage may occur. Get your local dealer or a professional to do so.

- **Ensure that the residual current device (RCD) is installed.**

The RCD must be installed. Failure to install it may result in electric shock.

- **When powering the unit, follow the regulations of the local electric company.**

Make sure that the unit is grounded reliably in accordance with laws. If the grounding is not completed correctly, it may cause electrical shock.

- **When moving, disassembling or reinstalling the air conditioner, get the assistance of your local dealer or a professional.**

If installed improperly, fire, electrical shock, injury, or water leakage may occur.

- **Use the optional accessories specified by our company.**

The installation of these accessories must be carried out by professionals. Improper installation may cause fire, electrical shock, water leakage and other hazards.

- **Use only power cables and communication cables that meet specification requirements.**

Properly connect all the wiring to make sure that no external forces are acting on the terminal blocks, power cables and communication cables. Improper wiring or installation may cause a fire.

- **The air conditioner must be grounded. Check whether the earth line is securely connected or broken. Do not connect the ground line to gas cans, water piping, lightning rods or telephone earth lines.**

- **The main power switch of the air conditioner should be put in a position that is out of the reach of children.**

It should not be obstructed by flammable objects such as curtains.

- **Open flames are prohibited when refrigerant leaks are present.**

If the air conditioner is not cooling/heating properly, this may be caused by a refrigerant leak. If this occurs, contact your local dealer or a professional. The refrigerant in the air conditioner is safe, and usually does not leak.

If there is refrigerant leakage in the room, it is easy for a fire to occur after contact with the heating units of the heater/electric stove/stove. Please disconnect the power supply of the air conditioner, extinguish the flames of appliances that produce a flame, and open the windows and doors of the room to allow ventilation and ensure that the concentration of refrigerant leakage in the room does not exceed a critical level; keep away from the leakage point, and contact the dealer or professional personnel.

- **After the refrigerant leakage is repaired, do not start the product until the maintenance personnel confirms that the leakage is well repaired.**

- **Before and after installation, exposing the unit to water or moisture will cause electrical short circuit.**

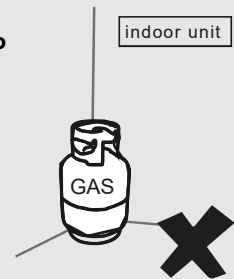
Do not store the unit in a humid basement or expose it to rain or water.

- **Make sure the installation base and lifting are robust and reliable;**

Insecure installation of the base may cause the air conditioner to fall, leading to an accident. Take into full consideration the effects of strong winds, typhoons and earthquakes, and reinforce the installation.



- **Check whether the drainage pipe can drain the water smoothly.**
Improper installation of the pipeline may lead to water leakage, damaging furniture, electric appliances, and the carpet.
After installation, check whether the refrigerant is leaking.
- **Do not install the product in a location where there is a danger of flammable gas leaks.**
In the event of leakage of combustible gas, the combustible gas surrounding the Indoor Unit may cause a fire.
- **Install an air filter of 30-80 mesh/inch at the return air grille to filter dust in the air and keep the air diffuser clean and free from dirt blockage.**



CAUTION

- **Keep the Indoor Unit, Outdoor Unit, power cable, and connecting wires at least 1m away from the high-power radio equipment, to prevent electromagnetic interference and noise. For some electromagnetic waves, it is not enough to prevent noise even at a distance of more than 1m.**
- **In a room equipped with fluorescent lamps (rectifier type or fast start type), the signal transmission distance of the remote controller (wireless) may not reach the predetermined value. Install the Indoor Unit as far away from the fluorescent lamp as possible.**
- **Do not touch the fins of the heat exchanger, as this could cause injury. For safety, please dispose of the packing materials properly.**
Nails and other packaging materials may cause personal injury or other risks. Tear up the plastic packaging bag and dispose of it properly to prevent children from playing with it, leading to suffocation.
- **Do not cut off the power supply immediately after the Indoor Unit stops running.**
Some parts of the Indoor Unit like the valve body and water pump are still in operation. Please wait for at least 5 minutes before cutting off the power supply. Otherwise, water leakage and other faults may occur.
- **If you have changed the length and direction of the air inlet/outlet panel or connecting duct, complete the following settings on the controller before you use the air conditioner again: (For details, see the Application Control section)**
Reset the initial static pressure on the controller or perform a trial run on the Outdoor Unit (performed by the installer), and set the current state as a reference state for the unit to determine the filter status.
- **If the above operations are not performed, then the unit may not detect the state of the filter accurately.**
- **For evaporating units and condensing units, the instructions or markings shall include a wording to assure that the maximum operating pressure is considered when connecting to any condenser unit or evaporator unit.**
- **For evaporating units, condensing units and condenser units, the instructions or markings shall include refrigerant charging instructions.**
- **A warning to assure that partial units shall only be connected to an appliance suitable for the same refrigerant.**
- **This unit is a partial unit air conditioner, complying with partial unit requirements of this International Standard, and must only be connected to other units that have been confirmed as complying to corresponding partial unit requirements of this International Standard.**
- **The electrical interfaces shall be specified with purpose, voltage, current, and safety class of construction. The SELV connection points, if provided, are to be clearly indicated in the instructions.**
- **The connection point should be marked with the “read the instructions” symbol per ISO 7000-0790 (2004-01) and the Class III symbol according to IEC 60417-5180 (2003-02).**

NOTE

This unit is equipped with a refrigerant leak detector for safety. To be effective, the unit must be electrically powered at all times after installation, other than when servicing.

If any supplemental unit is employed to detect leaked refrigerant, such unit shall also apply this marking or be accompanied by such instructions.

03.02. Precautions for Carrying and Lifting the Air Conditioner

1. Before carrying the air conditioner, determine the route that will be used to move it to the installation site.
2. Do not unseal the air conditioner until it is moved to the installation site.
3. When unpacking and moving the air conditioner, you must hold the hanger seat and do not apply force to other parts, especially the refrigerant piping, drainage pipe and plastic accessories, so as to avoid damaging the air conditioner and causing personal injury.
4. Before installing the air conditioner, make sure that the refrigerant specified on the nameplate is being used. For the installation of the Outdoor Unit, refer to the installation instructions in the Installation & Owner's Manual attached with the Outdoor Unit.

03.03. Installation Sites - Not Recommended

WARNING

Do not install or use the air conditioner in the following places:

- A place filled with mineral oil, fumes or mist, like a kitchen.
- Plastic parts will age and the heat exchanger will become dirty, eventually causing the air conditioner performance to deteriorate or leak water.
- A place where there are corrosive gases, such as acid or alkaline gases.
- Copper pipes and copper welds will be corroded, resulting in refrigerant leakage.
- A place exposed to combustible gases and using volatile combustible gases such as diluent or gasoline.
- The electronics in the air conditioner may cause the surrounding gas to ignite.
- A place where there is equipment emitting electromagnetic radiation.
- The control system will fail and the air conditioner will not function properly. A place where there is a high salt content in the air like a coastal area.
- Do not use the air conditioner in an environment where an explosion may occur. In vehicles or cabin rooms.
- Factories with major voltage fluctuations in the power supplies. Other special environmental conditions.



NOTE

Conditioner units of this series are designed to provide comfort. Do not use them in equipment rooms and rooms with precision instruments, food, plants, animals, or works of art.

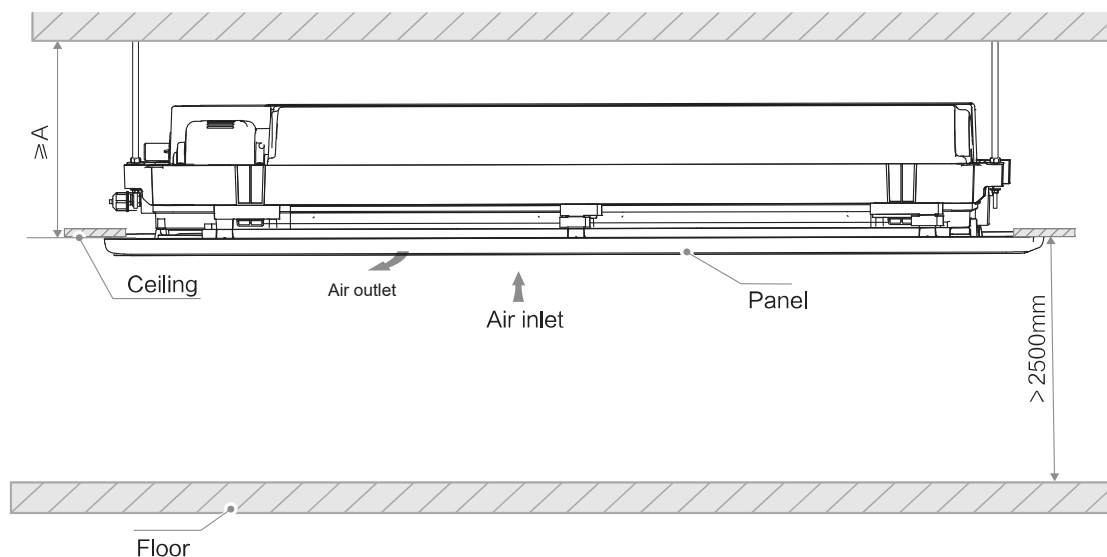
03.04. Recommended Installation Sites

It is recommended to install the air conditioner according to the design drawing of the HVAC engineer. The selection principle for the installation site is as follows:

- Ensure that the airflow in and out of the Indoor Unit is reasonably organized to form an air circulation in the room. Ensure Indoor Unit maintenance space.
- The nearer the drainage pipe and copper pipe are to the Outdoor Unit, the lower the pipe cost is.
- Prevent the air conditioner from blowing directly at the human body.
- The closer the wiring is to the power cabinet, the lower the wiring cost is.
- Keep the air-conditioning return air away from direct exposure to the sun in the room. Be careful not to interfere with the light tank, fire pipe, gas pipe and other facilities.
- The Indoor Unit should not be lifted in the places like load-bearing beams and columns that affect the structural safety of the house.
- The wired controller and the Indoor Unit should be in the same installation space; otherwise, the sampling point setting of the wired controller needs to be changed.

Choose a site that fully complies with the following conditions and user requirements to install the air conditioning unit:

- There is enough space for installation and maintenance. (See the diagram on the right.)
- The ceiling is level, and the structure is strong enough to support the Indoor Unit. If necessary, take measures to reinforce the unit's stability.
- Airflow in/out of the machine is not obstructed, and the external air exerts minimum impact. It is easy to supply airflow to every corner of the room.
- It is easy to drain fluids from the connected piping and water discharge piping. There is no direct heat radiation.
- Avoid installation in narrow spaces or where there are more stringent noise requirements.
- The indoor unit shall be installed at a position more than 2.5m and less than 3.5m from the ground Set. Condensate water can be discharged smoothly.
- The length of the piping between the indoor and Outdoor Units is within the permitted range. Refer to the Installation & Owner's Manual attached with the Outdoor Unit.



Capacity	A
kW≤3.6	153
3.6<kW≤7.1	183.69

Recommended Installation Sites**Crowded places such as living rooms and offices**

The unit is usually installed in a concealed manner, with air supplied in the side and returned at the bottom.

The air outlet must not face areas where people frequently spend time, such as sofas and coffee tables. Instead, the breeze should flow out from the side to increase comfort.

**Dining room**

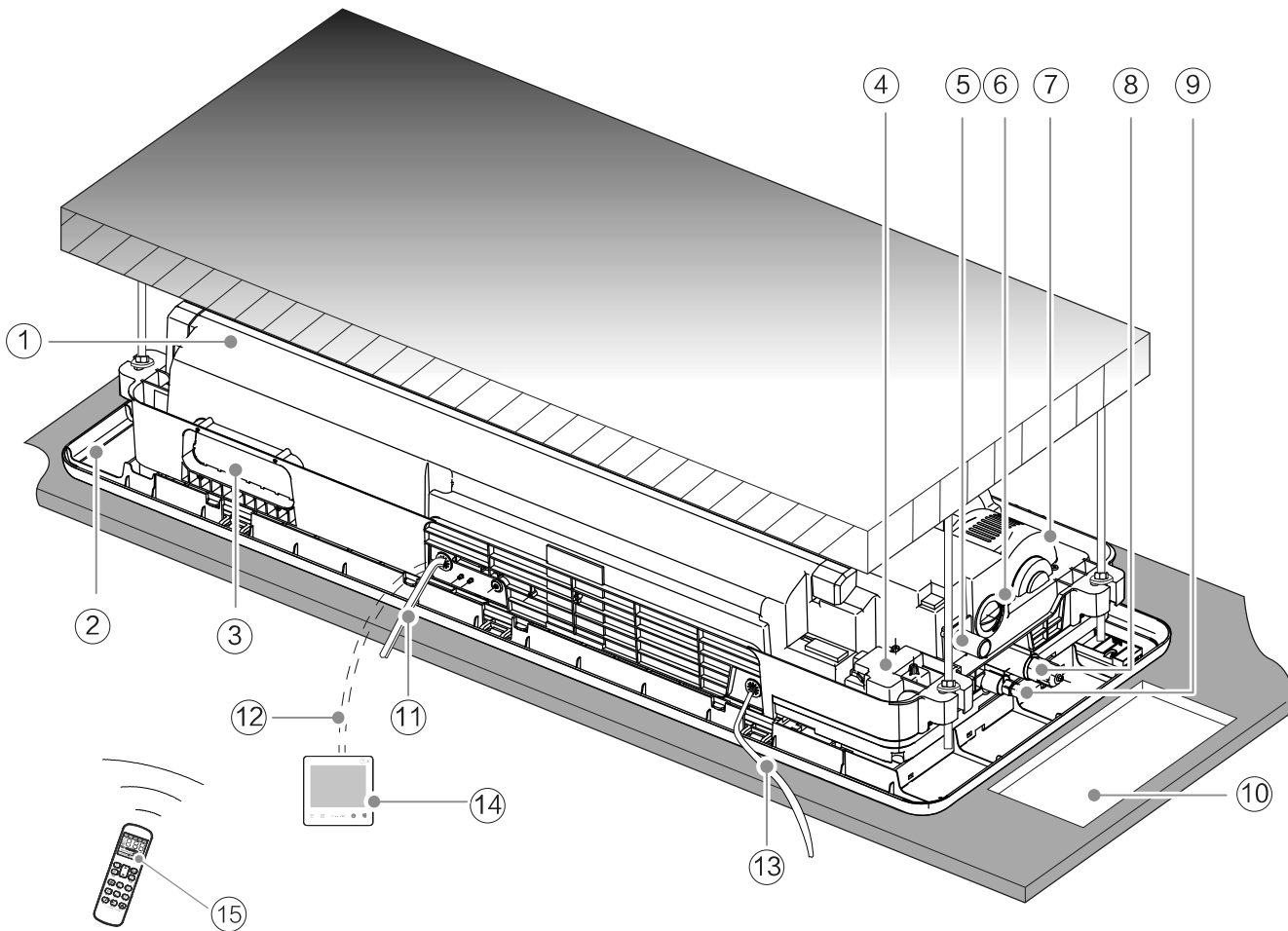
As the dining room is generally located next to the kitchen, which is usually filled with oily fumes, the central air conditioner can be installed on the ceiling between the dining room and the kitchen. The air outlet must not face the dining table. Otherwise, dust on the air outlet on the ceiling may be blown onto the food. Keep the return air inlet as far away from the kitchen as possible to avoid intaking oily fumes and affecting the air quality.

**Bedroom**

The unit can be installed on the ceiling above the bedroom doors or near windows. The air is flexibly supplied in the side and returned at the bottom. Avoid directing streams of air towards the bed if possible.

03.05. Parts

Part Description



① Indoor unit	② Display Panel (optional)	③ Fresh air outlet
④ Water pump	⑤ Water pump outlet	⑥ Water test cover
⑦ Electric motor	⑧ Gas pipe	⑨ Liquid pipe
⑩ Inspection Gate	⑪ *Power cable and ground wire	⑫ *Connection wire
⑬ *Connecting line	⑭ Wired controller (optional)	⑮ Remote controller (optional)

* To be purchased separately

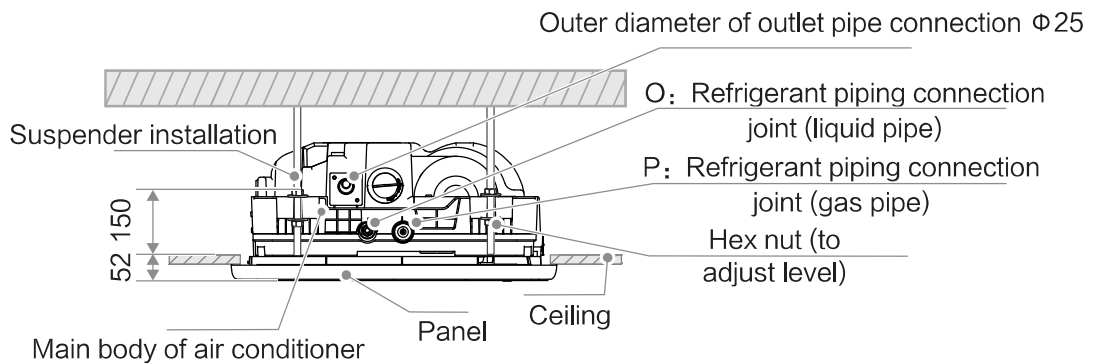
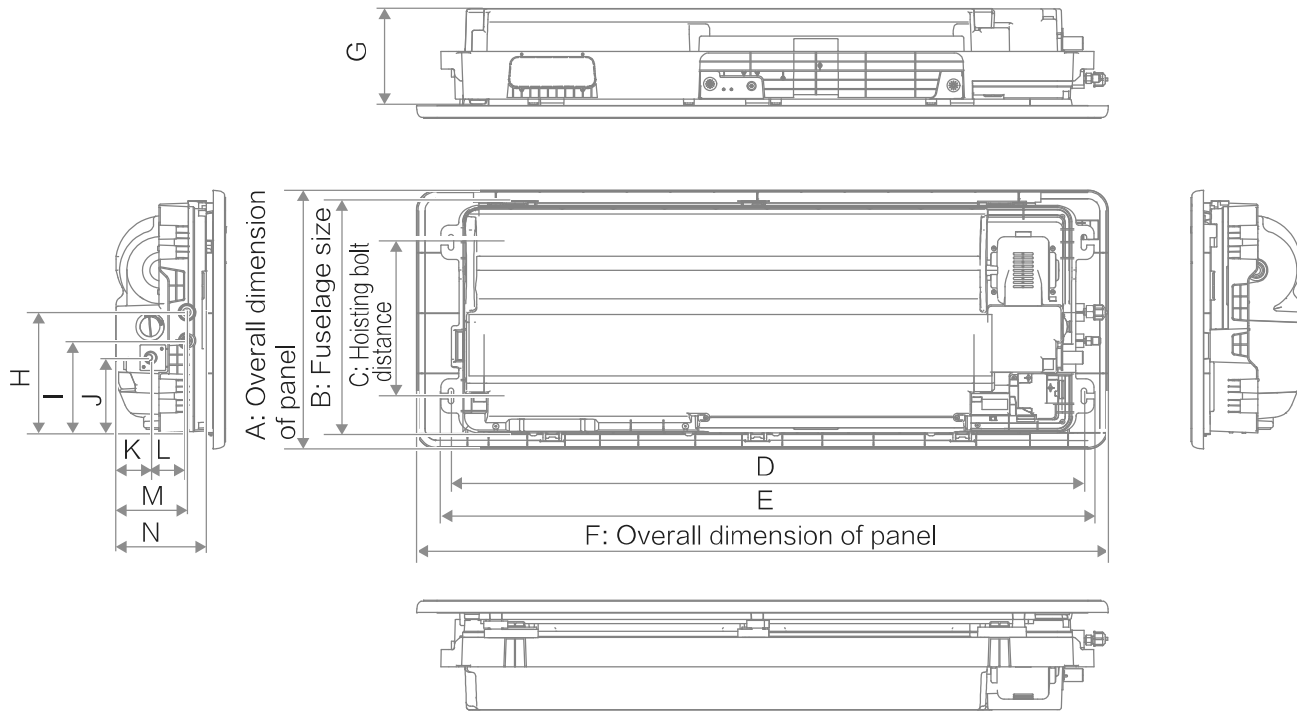
NOTE

Items showing as optional can be purchased from ActronAir

For optional accessories such as wired controllers, please refer to the instructions of the product.

All the figures in the manual explain only the general appearance and functions of the product. The appearance and functions of the product you purchased may not be completely consistent with those listed in the figures. Please refer to the actual product.

03.06. Product Dimensions



(Unit: mm)

Capacity	A	B	C	D	E	F	G	H	I	J	K
kW≤3.6	465	290	380	1004	1054	1180	153	238	188	139	34
3.6<kW≤5.6	505	300	400	1225	1275	1350	189	236	180	147	68
5.6<kW≤7.1	505	300	400	1225	1275	1350	189	236	180	147	68

Capacity	L	M	N	O	P
kW≤3.6	70	102	141	Ø6.35	Ø12.7
3.6<kW≤5.6	70	139	176	Ø6.35	Ø12.7
5.6<kW≤7.1	70	139	176	Ø9.52	Ø15.9

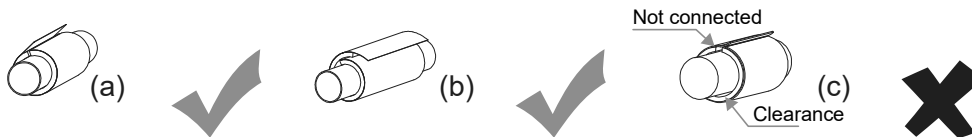
04. 2 Installation Materials

04.01. Accessories

List of Accessories				
Installation & Owner's Manual X1 Indoor Unit Installation Instructions	Brass nut X 2 For use in the insallation of connecting pipe (the quantity is one for models with a interconnect pipe)	Ring clamp X 1 To secure the water discharge hose	Cable tie X 10 To tighten the drainage hose tightly to the drainage outlet and PVC piping of the Indoor Unit.	Thermal insulation pipe X 2 Used for insulation and anti-condensation at pipe connections.
Installation Template Sheet X1 For construction and installation of suspender and cutting of ceiling	Installation screws for panel X 7 Used to install the panel on the air conditioner (6 for 18-36 models and 7 for 45-71 models)	Nut X 8 To secure the suspended air conditioner	Large washer X 8 To secure the suspended air conditioner	

CAUTION

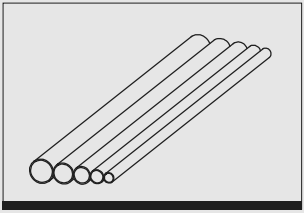
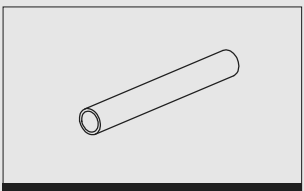
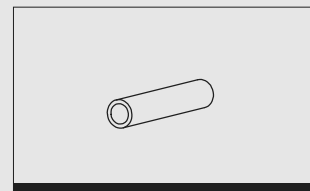
When installing the insulation pipe on site, please cut it according to the actual needs. (Either method (a) or (b) is OK. Method (c) is incorrect. There must be no gap between the insulation pipe and copper pipe.)



NOTE

Do not throw away any accessories that may be required for installation until the installation is complete.
Customers are free to choose to buy wired controllers, remote controllers and other optional accessories.

04.02. Locally Purchased Accessories

	Copper pipe (Unit: mm)		
	Capacity (kW)	Piping	Gas side
	kW≤5.6		12.7×0.75
	5.6<kW≤7.1		15.9×1.0
	Remarks	For connection of the Indoor Unit refrigerant system, it is recommended to use a soft copper tube (T2M), with the length selected according to the actual situation.	
	PVC water discharge pipe		Thermal insulation pipe
	This is used as the Indoor Unit's drainage pipe, 25mm in diameter. The length is determined according to actual needs		The thickness of the insulation pipe for the copper pipe is usually 10mm or above; and the thickness of the insulation pipe for the rigid polyethylene plastic tube is usually 15mm or above. If the pipe is used in a closed humid area, the thickness should be increased.

CAUTION

The materials necessary for onsite installation of the copper pipe, air duct, flexible hose connecting the air outlet, drainage pipe, lifting screw, air supply and return grille, various fasteners (pipeline bracket, victaulic, screw, etc.), power cable, signal line, etc. need to be purchased by the installer on site. The materials and specifications must comply with the corresponding local or industrial standards.

04.03. Heat Insulation Material Requirements

Copper pipe insulation	<ol style="list-style-type: none"> 1. Use the closed-cell foam insulation material, which is rated at a flame retardancy level of B1 and heat resistance of over 120°C. 2. Thickness of the insulation pipe: <ul style="list-style-type: none"> • When the diameter is equal to or greater than 15.9mm, the insulation thickness is at least 20mm. • When the diameter is equal to or smaller than 12.7mm, the insulation thickness is at least 15mm. 3. For insulation of the outdoor copper pipe, the wall thickness of insulation pipes for winter heating systems is generally increased to at least 40mm in regions with severe cold. For insulation of the indoor gas pipe, the wall thickness of insulation pipes is usually greater than 20mm. 4. Use glue to connect the joints and cuts of the thermal insulation pipe, and then wrap them with electrical tape with a width of not less than 50mm to ensure the connection is firm. 5. The insulation between the copper pipe and the Indoor Unit should be tight to prevent the generation of condensed water. 6. After the system leakage detection test indicates that there are no leaks, carry out the insulation of the copper pipe.
Drainage pipe insulation	<ol style="list-style-type: none"> 1. Indoor parts of the drainage pipe shall be insulated to prevent condensation, and protective sleeves should be thicker than 10mm. 2. If the pipe is not wholly insulated, be sure to rebind the cut part. 3. Use glue or buckles to connect the joints and cuts of the thermal insulation pipe, and make sure it is at the top of the pipe. 4. After the drainage test shows that there are no leaks, carry out the insulation of the water distribution pipe.

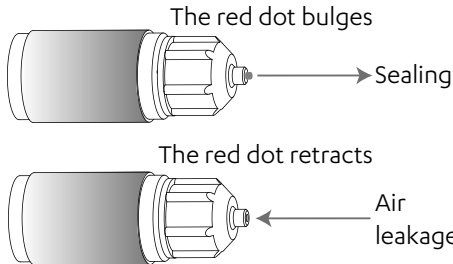
CAUTION

The materials and specifications of insulation materials must meet national or industry standards.

05. Preparations Before Installation

05.01. Unpacking Check

1. Before installation, check whether the packing materials are in good condition, whether the accessories that come with the product are complete, whether the air conditioner is intact, whether the surfaces of the heat exchanger and other parts have become worn, and whether there are oil stains on the check valve of the unit.
2. Check the two sealing nut of the refrigerant pipe, and observe whether the red dot on the surface of the sealing nut of the gas pipe bulges. If it bulges, the pipe is well-sealed; if it retracts, the line is leaking, and you need to contact your local dealer.



3. Check the machine model before installation.
4. After Indoor Unit and Outdoor Unit inspection, pack them with plastic bags to avoid intake of foreign matters.

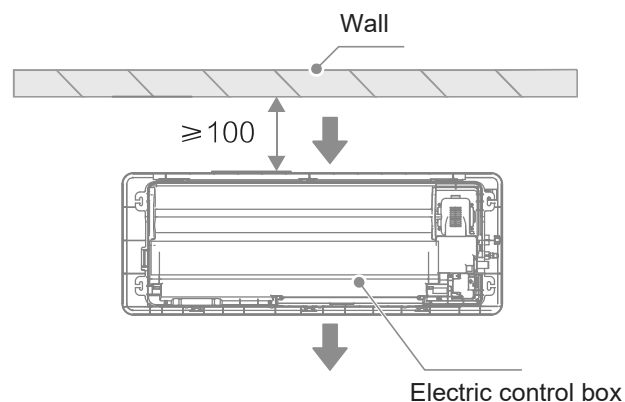
05.02. Indoor Unit (Indoor Unit) Positioning

Determine the positions of the air conditioning unit and lifting screws

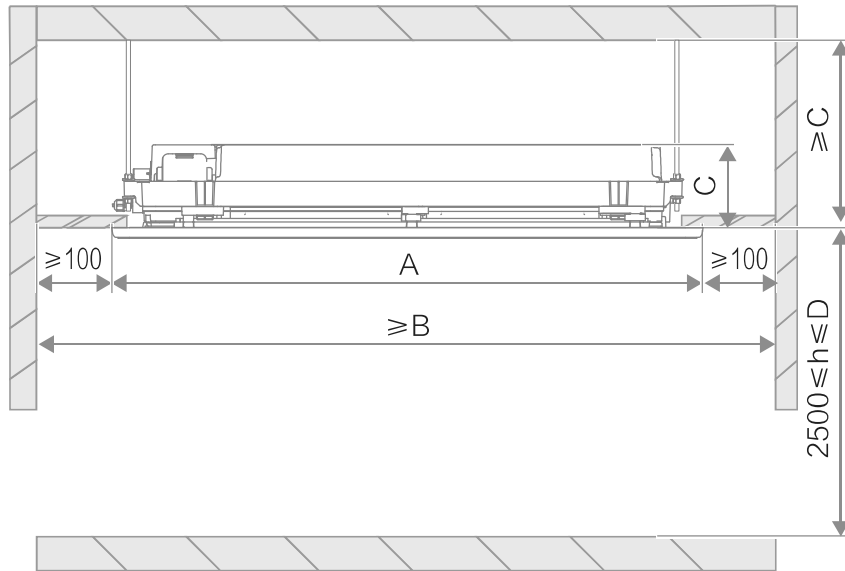
1. Determine the lifting position of the Indoor Unit according to the design drawing.
2. Draw lines to locate the drilling positions of the suspender bolts according to the mounting cardboard.
3. There shall be no obstacles within 200mm of the return air inlet.
4. It is suggested to use an infrared ray locator for line drawing.

(Unit: mm)

Top view

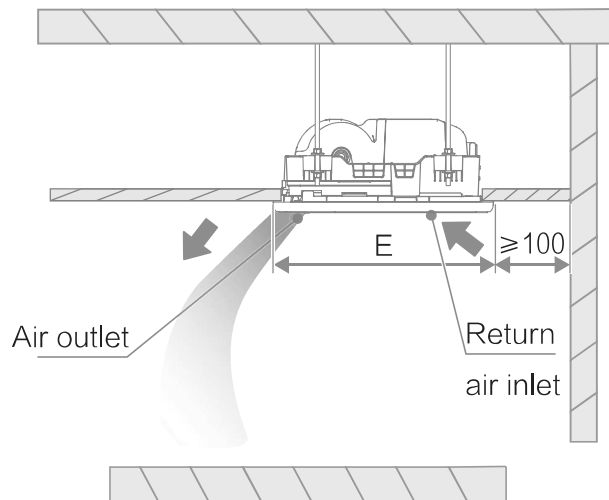


Side view



CAUTION

The installation height of the air conditioner shall not be higher than the required size, otherwise the use effect will be affected!



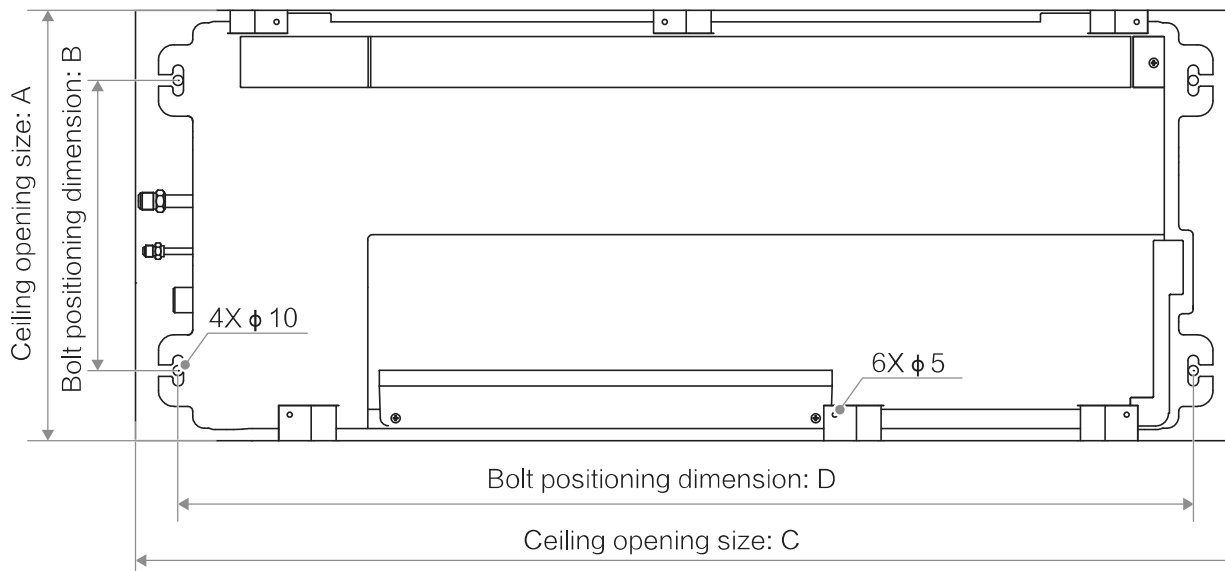
CAUTION

There shall be no obstacles in front of the air outlet, such as ceiling lamp screen, etc.
Select the appropriate supply air angle range.

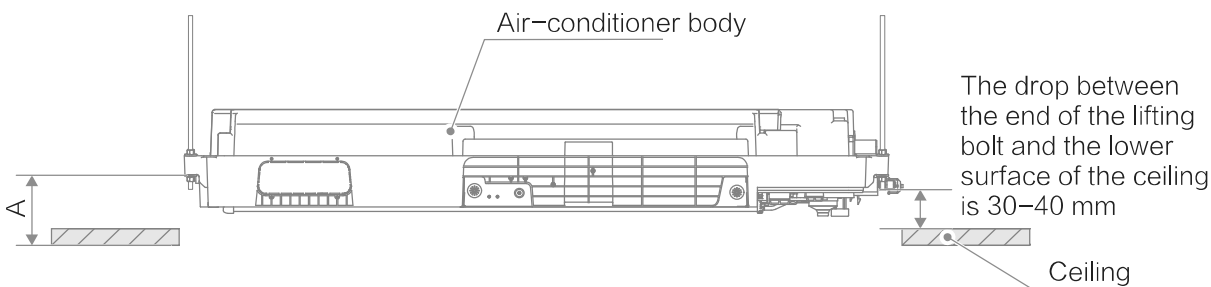
Capacity	A	B	C	D	E
kW≤3.6	1180	1380	153	3200	465
3.6<kW≤7.1	1350	1550	189	4000	505

05.03. Determine the positions of the ceiling opening, the unit and the lifting screws

1. Make holes according to the profile of the panel mounting template. (Unit: mm)



Capacity	A	B	C	D
kW≤3.6	430	290	1100	1015
3.6<kW≤7.1	470	300	1290	1235



Capacity	A
kW≤3.6	70
3.6<kW≤7.1	75

CAUTION

A total of 4 lifting bolts are required to install the air conditioning equipment, and the bolt positioning dimensions are as follows. During actual installation, the installation template of the accessory can be used to determine the position of the bolt.

Length requirements for lifting bolts:

Please design the length of the lifting bolt according to the following figure. If the length does not meet the requirements, the air conditioner and the air conditioner panel will not be installed correctly.

2. Please determine the position of the installation hole according to the installation cardboard.

3. When installing on the new ceiling, fix the cardboard on the main body of the installed air conditioner for reference to determine the size, location and center of the ceiling hole.

CAUTION

Use four hexagon nuts to adjust evenly and ensure that the main body of the air conditioner is horizontal. When fixing the air conditioner on the ceiling material with a frame:

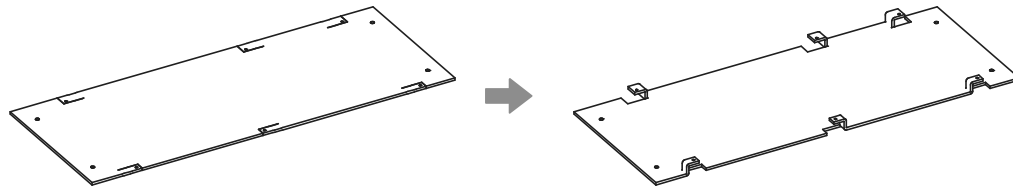
The overlapping part of ceiling and decorative panel should be kept more than 10mm. Please keep the distance between the indoor unit and the ceiling within 12mm. 15mm

Please add ceiling materials or repair the ceiling.

If necessary, cut out the required openings for installation on the ceiling (where there is an existing ceiling).

For the size of the ceiling opening, please install the cardboard opening according to the template.

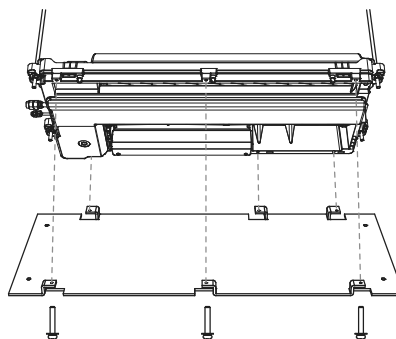
1. Fold the 6 mounting lugs.



CAUTION

The folding direction is to protrude towards the side without printed content, and the folded cardboard cannot be installed.

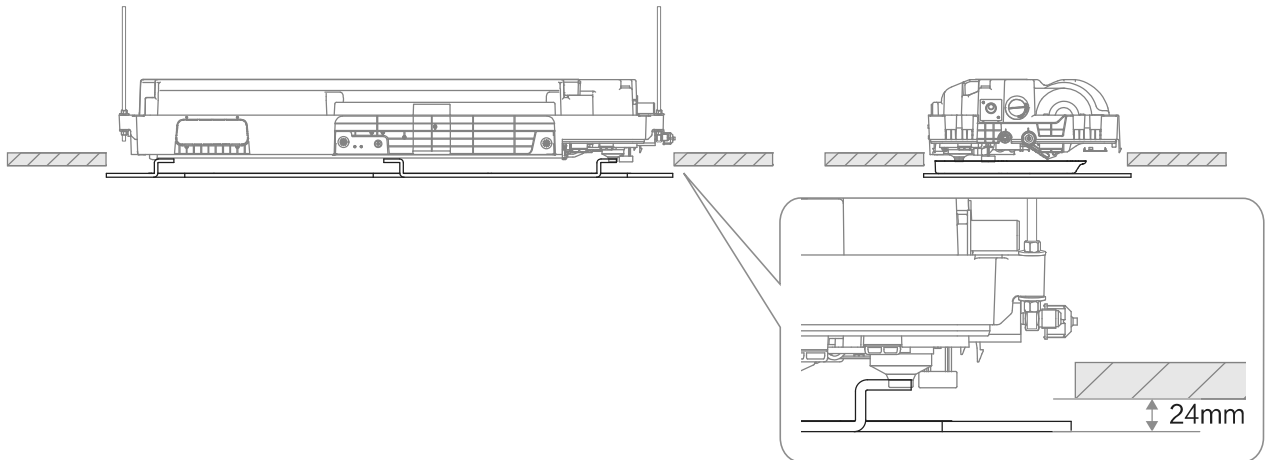
1. Install the cardboard with the panel mounting screws of the accessory.



CAUTION

There are 7 screws in the accessories of 45~71 models, and only 6 screws are needed for installing the cardboard. Please keep the extra screws properly.

- ③ Cut the ceiling and confirm whether the lifting height is appropriate.



⚠ CAUTION

After the ceiling is cut, remove the installation paper. Pay attention to the screws and use the installation panel!

⚠ CAUTION

Before connecting the Indoor Unit piping and wiring, connect the refrigerant piping, drainage pipe, remote control wire (not required when using a wireless remote controller), and the connection wire, power cable, and ground wire between the Indoor Unit and Outdoor Unit (please refer to piping and wiring instructions) so that it can be connected to the Indoor Unit immediately after installation.

To cut ceiling holes, the ceiling bracket may be reinforced to keep the ceiling flat and prevent the ceiling from vibrating. For details, please consult the builder.

06. Indoor Unit Installation

WARNING

Install the air conditioner in a location with sufficient strength to support the weight of the unit. Take reinforcement measures when necessary.

The unit may fall and cause personal injury if the location is not strong enough. Unstable installation may cause the unit to fall and cause an accident.

Before wiring/pipe layout, make sure that the installation area (walls and floor) is safe and free of water, power, gas, and other hidden dangers.

06.01. Installation of lifting bolts

1. Based on the distance between the four hanging holes of the indoor unit, use a pencil to draw the positions of screws to be fixed on the ceiling. After holes are drilled, tighten the expansion screws into the holes (by welding a fully threaded bolt of 490mm onto an expansion screw of 8mm, with two screw caps), and then place the four corners of the indoor unit in the bolt to lift the unit.
2. Use four hanger rods during lifting. The diameter of the lifting bolt shall not be less than 10mm. The hanger rods are strong enough to support two times the weight of the indoor unit, with two nuts tightened below the hanger rods.
3. When the length of the hanger rod exceeds 1.5m, two diagonal braces must be added to provide stability.
4. Removing the ceiling: Since building structures differ, discuss building details with the interior decoration workers.
 - a. Ceiling treatment: Reinforce the ceiling pedestal to make sure that the ceiling is level and to prevent ceiling vibrations.
 - b. Cut off and dismantle the ceiling pedestal.
 - c. Reinforce the remaining surface after the ceiling is removed. Add further reinforcements to the pedestal on two ends of the ceiling.
 - d. Once the main unit has been lifted and mounted, carry out the piping and wiring tasks within the ceiling. Determine the outlet direction of the piping after the installation site has been finalized.

For sites where the ceiling is already available, first connect and put in position the refrigerant piping, water discharge piping, and connecting wires of the Indoor Unit and wired controller before you hoist and mount the unit.

CAUTION

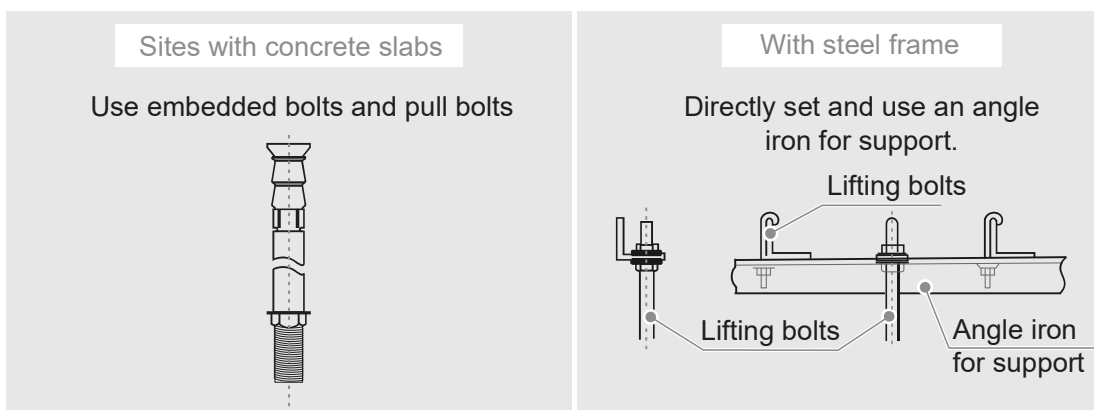
High-quality carbon steel bolts (galvanized or with other anti-rust paint applied) or stainless steel bolts are used.

How the ceiling is treated will differ with the type of building. For specific measures, please consult the building and renovation engineers.

How the lifting bolt is secured varies according to the specific situation, and it must be secure and reliable

06.02. Installation of Lifting Bolts

Refer to the following figure on installation using the lifting bolts.

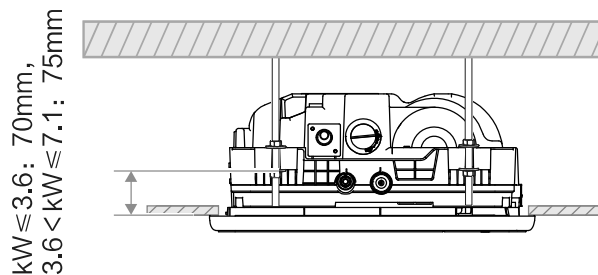


06.03. Indoor Unit Installation

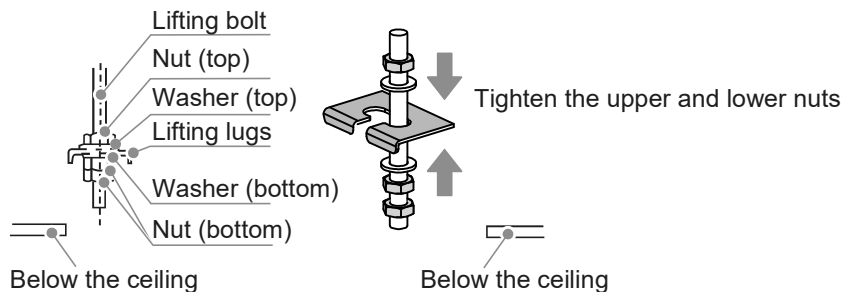
! CAUTION

The indoor unit must not be too close to the ceiling. It shall be installed level or at an angle within 1° towards the drainage side. (For units without a drain pump, ensure a slope of 1/100 towards the drainage side. Do not tilt towards the non-drainage side.) Otherwise, water cannot drain smoothly and leaks can easily occur. Keep the indoor unit free from dust or foreign particles. Use the plastic bags provided with the product to cover the unit.

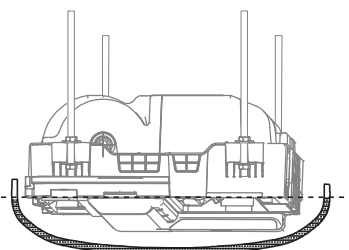
1. Adjust the position of the upper nut to keep the gap between the mounting lug (lower side) and the ceiling at a suitable distance.



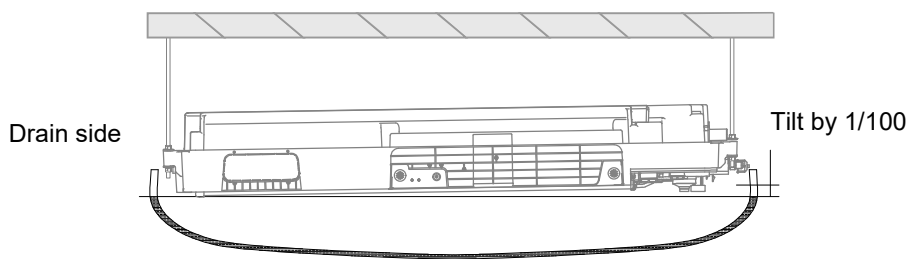
2. Slot the lifting bolts in the oblong holes of the lifting lugs. Secure the top and bottom of lugs with washers and nuts.



3. Observe the height of the water surface with a transparent hose (principle of connector) to confirm the levelness of the width direction of the body and keep it level.



4. Use a transparent hose to observe water level (principle of communicating vessels) and verify the tilt angle of the unit body in the length direction, ensuring a downward slope of 1/100 towards the drainage side. Do not tilt it towards the non-drainage side.



06.04. Panel Installation

! CAUTION

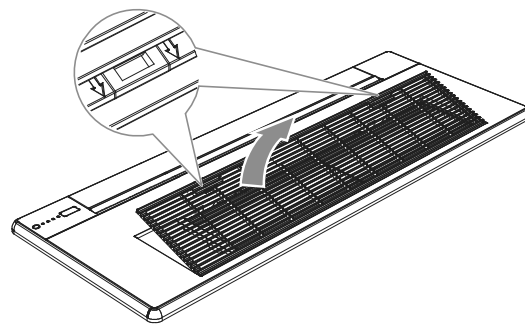
Before installing panel components, please confirm that the refrigerant piping installation, drainage system installation, thermal insulation treatment and construction wiring are completed.

Confirm that the installation level and height of the air conditioner body are correct.

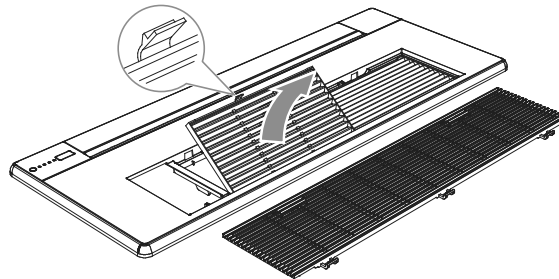
Confirm that the ceiling opening size is appropriate according to the installation paper attached to the air conditioner and this manual.

1. Remove the return air grille, dust screen and screw cover

Remove the return air grille by pulling the latch in the direction indicated by the grille switch arrow.

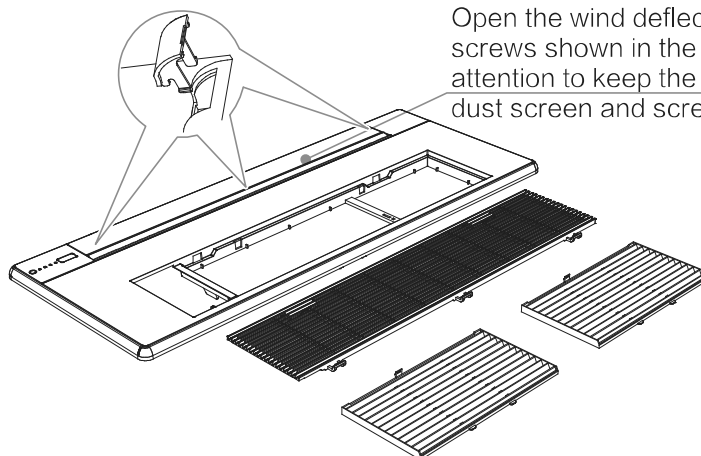


Move the snap as shown in the figure to remove the dust screen.



Open the wind deflector and remove the three screws to hide the cover;

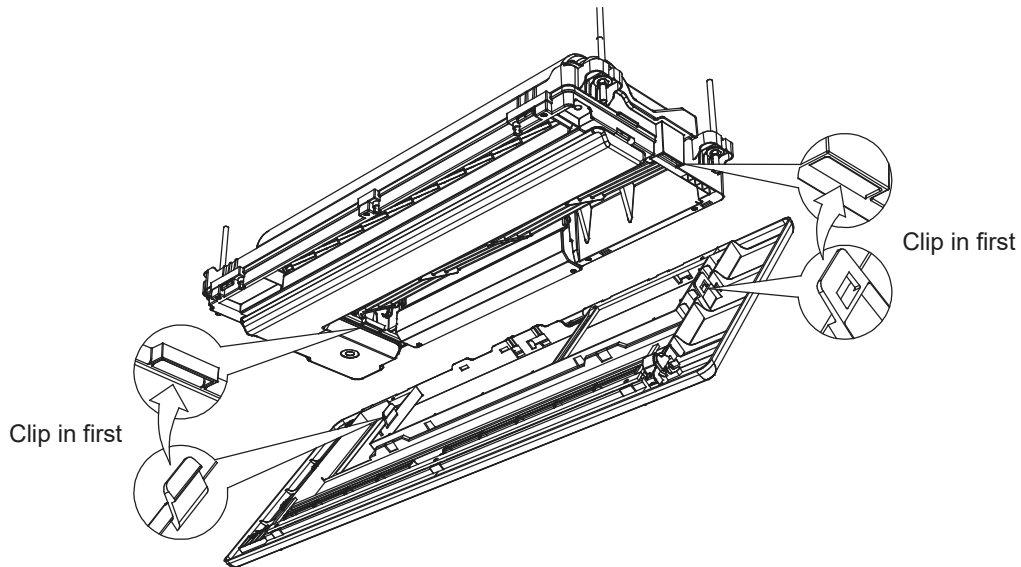
Please keep the removed return air grille, dust screen and screw cover properly, and do not lose, dirty, scratch, etc.



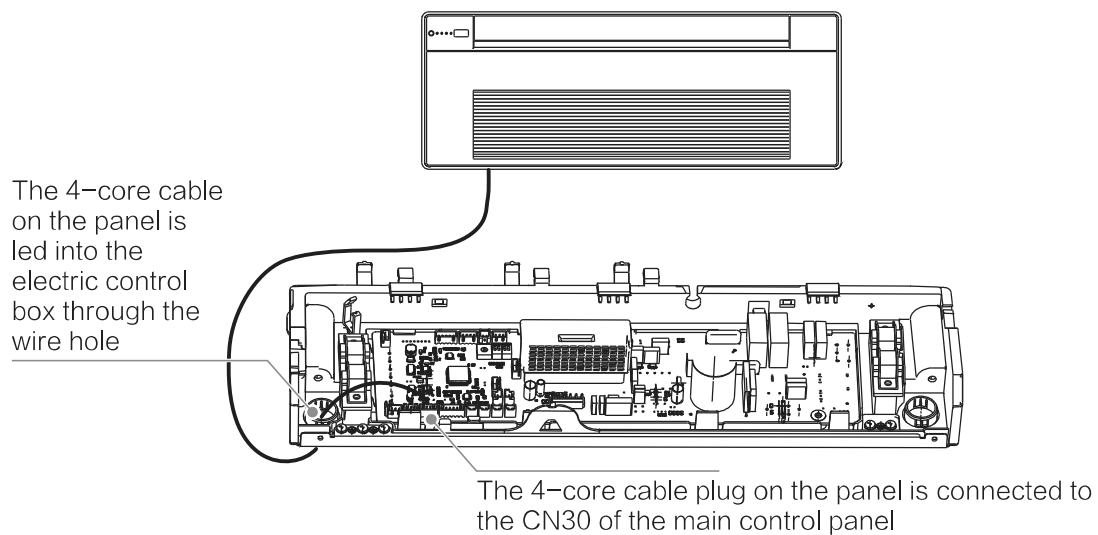
Open the wind deflector and remove the three screws shown in the figure to hide the cover. Pay attention to keep the removed return air grille, dust screen and screw cover.

2. Card panel components and connecting lines

There are two snap structures on the panel components for auxiliary panel installation. The snap assembly method is shown in the figure.

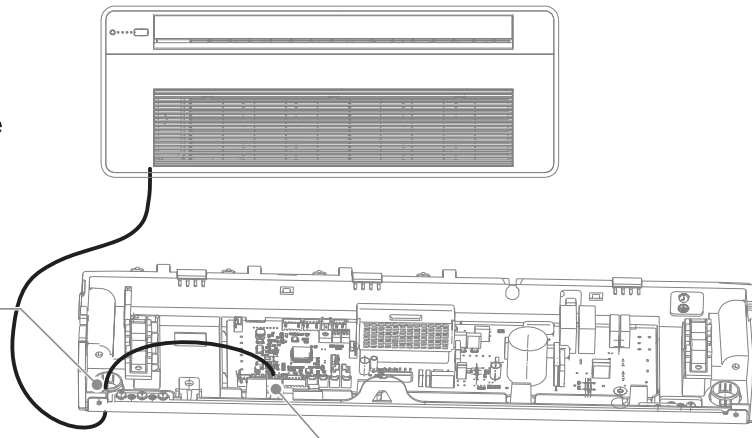


Electrical wiring of panel components: open the cover of the electric control box of the air conditioner, and connect the control display box connection terminal of the panel components and the connection terminal of the air guide wing motor to the main control board of the air conditioner as shown in the figure.



kW ≤ 3.6

The 4-core cable on the panel is led into the electric control box through the wire hole

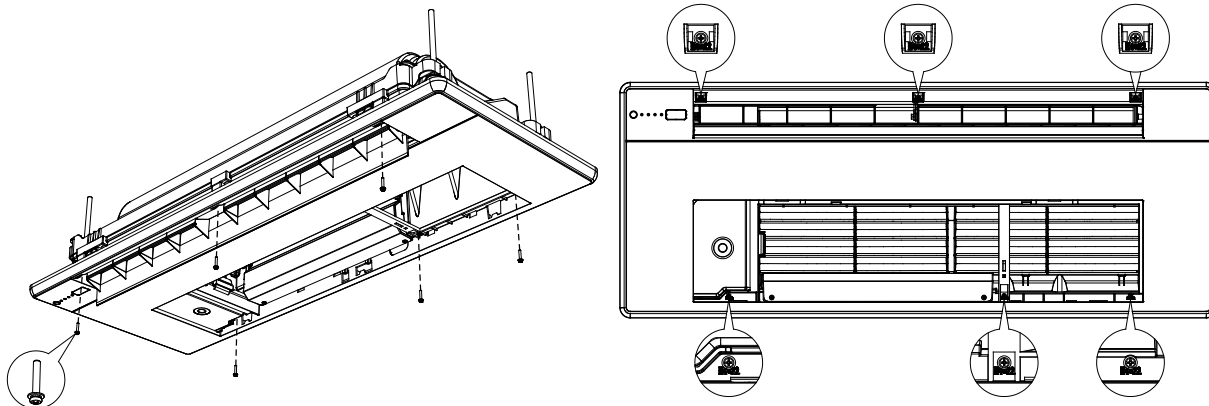


The 4-core cable plug on the panel is connected to the CN30 of the main control panel
 $3.6 < kW \leq 7.1$

WARNING

The wiring of panel components shall be in strict accordance with the diagram. Incorrect wiring will lead to abnormal operation of panel components. The connecting cable needs to be installed as shown in the figure. The incorrect wiring will cause the cover of the electronic control box to not be closed normally. If there is a wire clamping problem, it will cause air leakage, condensation, bulge and other problems of the panel components.

3. Mounting screws



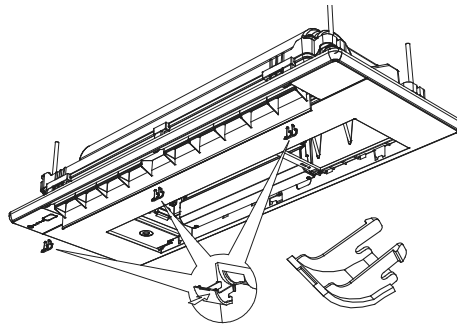
Models	Screw specification	Number of Screws
MOC-018CS	M4X22	6
MOC-022CS		6
MOC-028CS		6
MOC-036CS		6
MOC-045CS		7
MOC-056CS		7
MOC-071CS		7

Install one more screw at this position on the MOC-045CS, MOC-056CS and MOC-071CS models.

WARNING

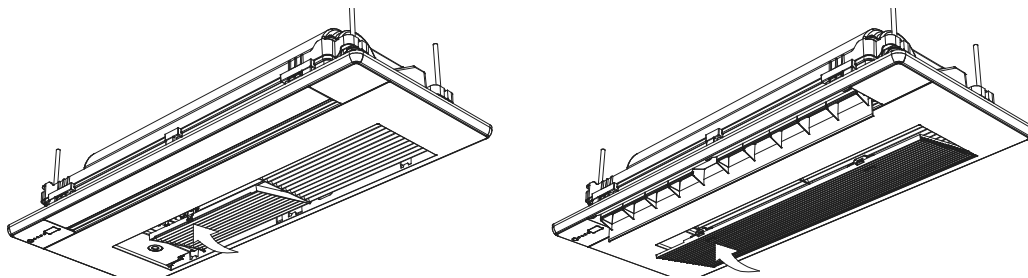
Before installing the screw, check whether the cable connecting the panel and the air conditioner is clamped. If the cable is clamped by the panel, the cable may be damaged after tightening the screw and the panel will be uneven after installation.

4. Install the screw to hide the cover plate



Screw hidden cover plate

5. Install the dust screen and return air grille



CAUTION

The panel has directionality relative to the air conditioning body, and the display part of the panel is arranged in the direction of the piping side of the air conditioning body.

Do not tighten the panel mounting screws until they are confirmed to be correct

07. Refrigerant Connecting Piping Installation

Different Outdoor Units have different requirements for length and level differences for the piping. Refer to the Installation & Owner's Manual attached with the Outdoor Unit.

⚠ CAUTION

During the installation of the connecting pipes, do not allow air, dust, and other debris to penetrate the piping system, and make sure the interior of the pipes is dry.

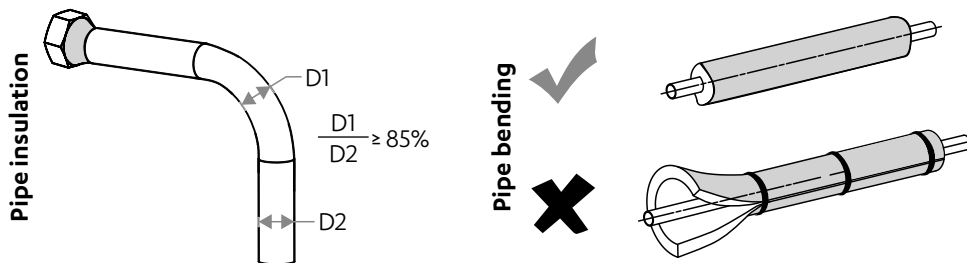
Install the connecting pipes only when the Indoor Units and Outdoor Units are secured.

When installing the connecting pipes, record the actual installation length of the liquid pipe on the spot so that additional refrigerant can be added.

The copper pipes must be wrapped with thermal insulation materials when they are installed. In the event of refrigerant gas leakage during operation, please ventilate immediately.

07.01. Pipe Layout

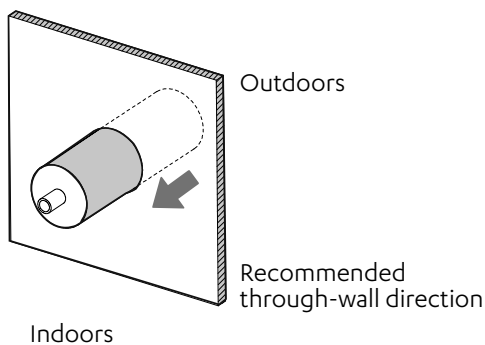
1. Bend the pipes or punch holes in the wall as needed. The deformed pipe area must not exceed 15% of the total area. A protective casing should be installed at the wall or floor hole. The weld joint must not be inside the casing. The drill hole on the external wall must be sealed and tightly wrapped with a binding tie to prevent impurities from entering the pipe. The pipe must be insulated with the correctly-sized insulation pipe.



NOTE

D1 is the minimum diameter, and D2 is the nominal diameter.

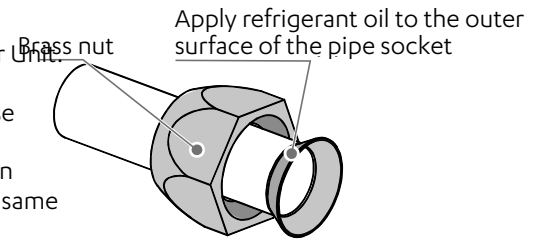
2. The wrapped connecting pipe is plugged through the wall hole sleeve from the outdoor side and enters the indoor side. The pipes must be arranged carefully so as not to damage the piping.



07.02. Pipe Connection Steps

Measure the required length of the connecting pipe. Make the connecting pipe using the following method (see “Pipe Connection” for details).

1. Connect the Indoor Unit first, then connect the Outdoor Unit. Before tightening the flare nut, apply refrigeration oil on the inner and outer surface of the pipe flare (you must use refrigeration oil compatible with the refrigerant for this model), and turn it 3 or 4 turns by hand to tighten it. When connecting or removing a pipe, use two wrenches at the same time.



CAUTION

✓ Bend and arrange pipes carefully without damaging the pipes and their insulating layers.

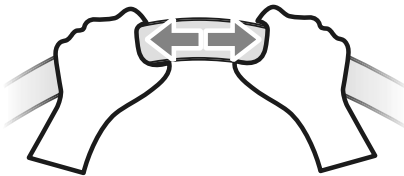


Do not let the interface of the Indoor Unit bear the weight of the connecting pipe; otherwise, the connecting pipe may be crushed and deformed, which will affect the unit's cooling (heating) abilities, or the thermal insulation materials may become compressed, resulting in air leakage and condensation.

2. The check valve of the Outdoor Unit is completely closed when leaving the factory. Unscrew brass nuts from the check valve in each connection, and connect the flared tube within 5 minutes. When the brass nuts at the check valve are removed and placed somewhere for too long, dust and other sundries may enter the pipeline system and cause failures after extended periods of operation.
3. After the refrigerant piping is connected to the Indoor Unit and Outdoor Unit, follow the operations in the section titled “Vacuum pumping” to exhaust the air. After the air is exhausted, tighten the maintenance nut.

07.03. Pipe Connection

Bend the pipe with your thumb



Processing method

1. Hand bending processing: Applicable to thin copper pipes (Ø6.35mm–Ø12.7mm).
2. Mechanical bending processing: Wider application (Ø6.35mm–Ø28mm), using spring pipe bender, manual pipe bender or electric pipe bender.

CAUTION

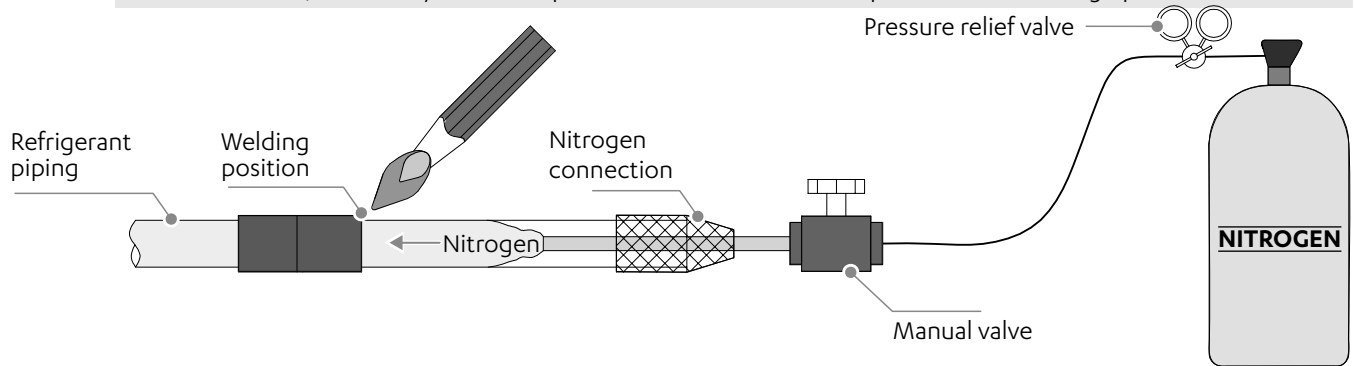
- The bending angle should not exceed 90°; otherwise, wrinkles will be formed in the pipe, which can easily break.
- The bending radius should not be smaller than 3.5D (pipe diameter) and should be as large as possible to prevent the pipe from becoming flattened or crushed.
- When mechanically bending the pipe, the pipe bender inserted into the copper pipe must be cleaned.

07.03.01. Brazing pipes

When brazing pipes, fill the pipes with nitrogen. First evenly heat the inner pipes, then the outer pipes, and fill the joints with welding material.

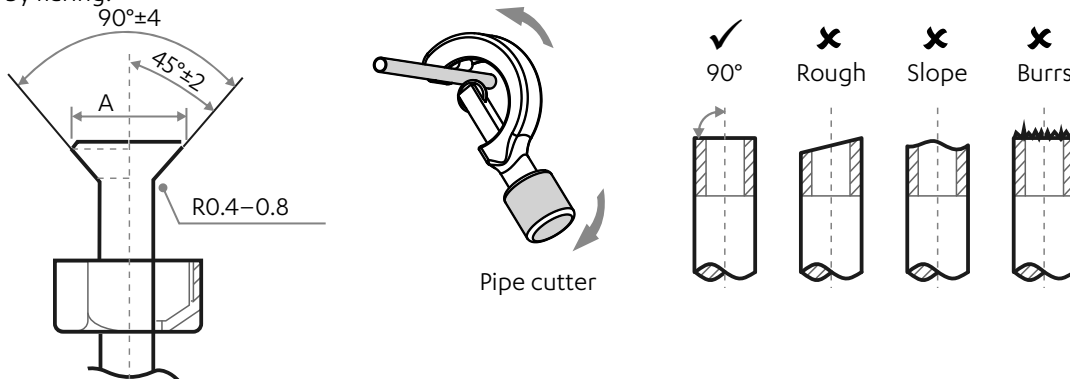
⚠ WARNING

- When it is necessary to fill the piping with nitrogen during welding, the pressure must be kept at 0.02MPa using a pressure relief valve.
- Do not use flux when soldering the refrigerant connection piping. Use a phosphor copper solder that does not require flux.
- Do not use any antioxidants when soldering the piping. The piping may become clogged with residual antioxidants, which may block components such as electronic expansion valves during operation.



07.03.02. Flaring

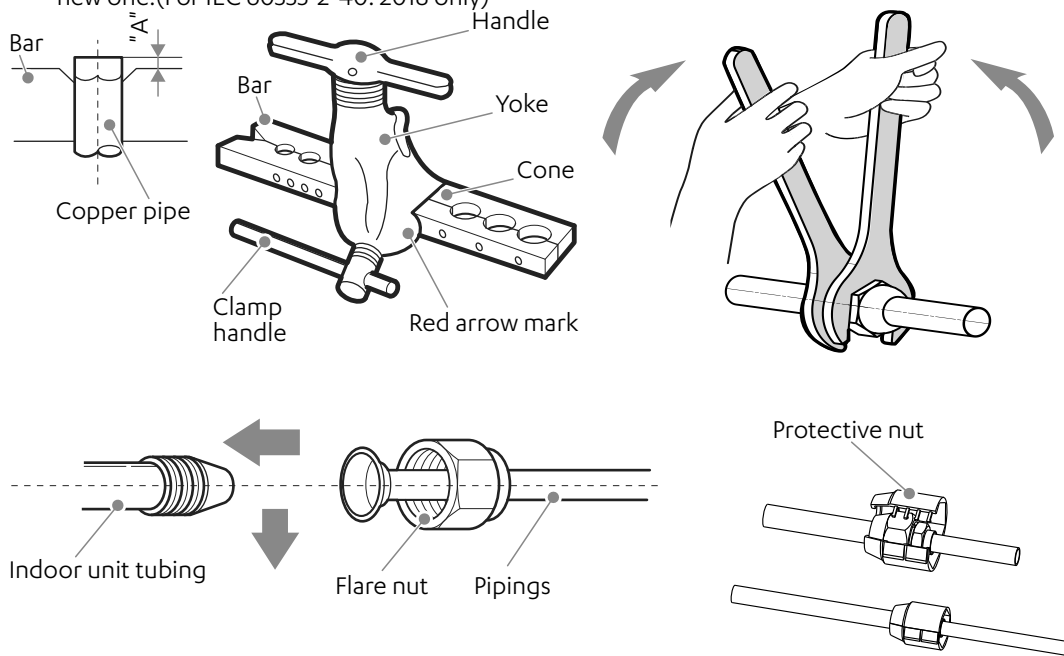
To cut the piping with a pipe cutter, rotate the pipe cutter repeatedly. Put the pipe into the connecting nut flaring, and both the gas pipe and liquid pipe of the Indoor Unit are connected by flaring.



Outer diameter (mm)	A (mm)	
	Max.	Min.
Ø6.35	8.7	8.3
Ø9.52	12.4	12.0
Ø12.7	15.8	15.4
Ø15.9	19.1	18.6
Ø19.1	23.3	22.9

07.03.03. Nut fastening

1. Align the connecting piping, firstly tighten most of the thread of the connecting nut by hand, and then use a wrench to tighten the last 1-2 turns of the thread as shown in the figure.
2. The welding is done on site, and the bell mouth cannot be used indoors.(For IEC/EN 60335-2-40 except IEC 60335-2-40: 2018)
3. The protective nut is a one-time part, it can not be reused. In case it is removed, it should be replaced with a new one.(For IEC 60335-2-40: 2018 only)



⚠ CAUTION

- Excessive torque can break nut on installation conditions.
- When flared joints are reused indoors, the flare part should be re-fabricated.

Pipe size (mm)	Tightening torque [N.m (kgf.cm)]
Ø6.35	14.2–17.2 (144–176)
Ø9.52	32.7–39.9 (333–407)
Ø12.7	49.5–60.3 (504–616)
Ø15.9	61.8–75.4 (630–770)
Ø19.1	97.2–118.6 (990–1210)

⚠ CAUTION

Depending on the installation conditions, excessive torque will damage the flared mouth, and too small torque cannot tighten the nut, which will cause refrigerant leakage. Please refer to the above table to determine the appropriate tightening torque.

07.04. Refrigerant Piping Fixing

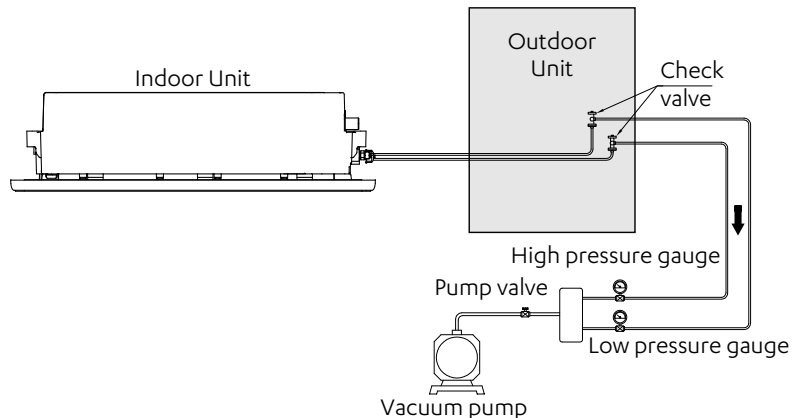
Angle iron brackets or round steel hangers should be used for fixing. When the liquid pipe and gas pipe are suspended together, the size of the liquid pipe shall prevail.

Pipe outer diameter (mm)	≤20	20~40	≥40
Horizontal pipe distance (m)	1.0	1.5	2.0
Stand pipe distance (m)	1.5	2.0	2.5

07.05. Vacuum Pumping

Connect the refrigerant piping to the gas and liquid pipes of the Outdoor Unit, and use a vacuum pump to evacuate the gas and liquid pipes of the Outdoor Unit at the same time.

Do not use refrigerant enclosed in the Outdoor Unit for vacuuming. The reduction of Outdoor Unit refrigerant may cause performance degradation of the air conditioner.



07.06. Leak Detection

Fill the system with nitrogen and increase its pressure to detect leaks. The following methods are recommended:

1. By foam

Apply soapy water or foam evenly (spray) on areas where leakage may occur, and observe whether air bubbles appear. If there are no air bubbles, it indicates that the system is airtight.

2. By instrument

Use a refrigerant leak detector to identify leaks. Align the leak detector probe with the part where leakage may occur, and follow the instructions to determine whether there is a leak.

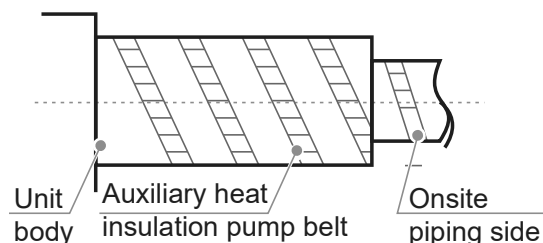
CAUTION

Leak detection will be conducted at each spot for at least 3 minutes. If any leak has been identified, tighten the nut and perform the detection again until no leaks are found. After completing the leak detection, wrap the exposed Indoor Unit pipe joint with insulation material and tie it with a binding tie to prevent condensation and dripping water.

07.07. Pump Outlet

Pipes on the liquid and air sides have a low temperature during cooling. Take sufficient insulation measures to prevent condensation.

- Be sure to use a thermal insulation material with a heat resistance of 120°C or higher for the gas pipe.
- The attached insulation material for the part of the Indoor Unit where the pipe connects must undergo heat insulation treatment that leaves no gaps.
- For outdoor pipelines, additional protective treatments should be performed, such as adding metal duct boxes or wrapping the pipes with aluminum foil materials. Thermal insulation materials directly exposed to the open air will degrade and lose their insulating properties.



08. Drainage Pipe Installation

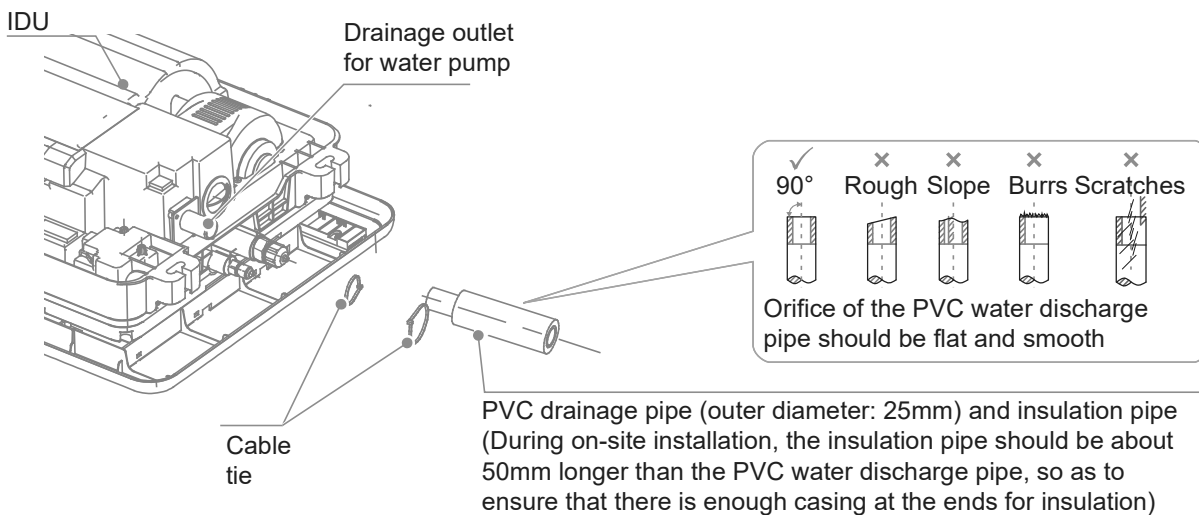
CAUTION

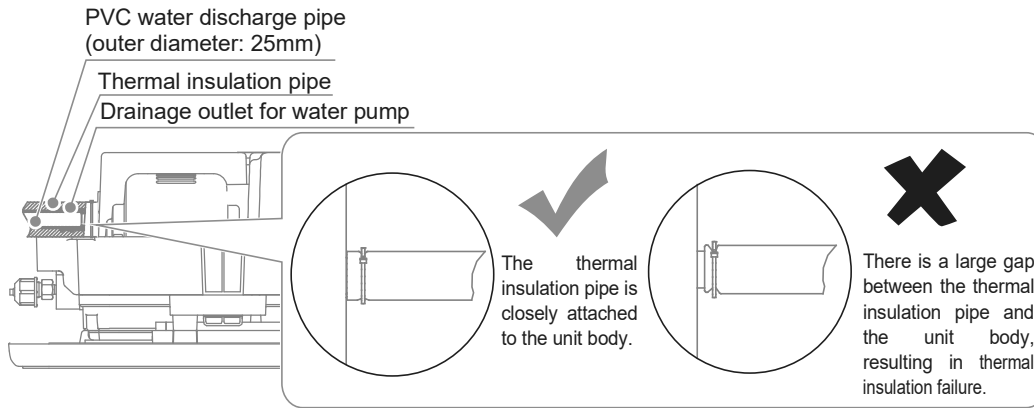
- Before installation of the condensate pipeline, determine its direction and elevation to avoid intersection with other pipelines to ensure that the slope is smooth and straight.
- The highest point of the drainage pipe should be equipped with a discharge port to ensure the smooth discharge of condensate water, and the discharge port must face downwards to prevent dirt from entering the pipe.
- Do not connect the drainage pipe to the wastewater pipe, sewage pipe, or other pipes that produce corrosive gases or odors. Otherwise, the Indoor Unit (especially the heat exchanger) may be corroded and odor may enter the room, negatively impacting the heat exchange effects and user experience. The user will assume responsibility for any consequences resulting from failure to abide by instructions.
- After the pipeline connection is completed, a water test and a full water test should be done to check whether the drainage is smooth and whether the pipeline system leaks.
- The air conditioner drainage pipe must be installed separately from other sewage pipes, rainwater pipes and drainage pipes in the building.
- Adverse slope, convex and concave pipes are prohibited, as improper airflow will cause poor drainage. Drainage pipes need to be evenly wrapped with thermal insulation pipes to prevent condensation.
- Please connect the drainage pipes in the following ways. Improper installation of the pipes may result in water leakage and damage to furniture and property.
- All joints of the drainage system must be sealed to prevent water leakage.

08.01. Installation of Water Discharge Pipe for the Indoor Unit

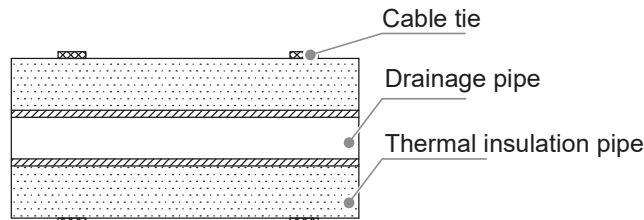
Connect a PVC pipe to the water pump outlet, and fasten it with a cable tie. Then push the thermal insulation pipe until it is closely attached to the main body, and finally fasten the end with a cable tie.

The connection between the two ends of the drainage pipes and the connection of the water pump outlet need to be fastened with a cable tie, in combination with PVC/rubber adhesives. Pay attention to the instructions for the use of the adhesives to prevent corrosion to the EPDM rubber. Use hard PVC adhesives for connecting to other water piping. Check that the connections are tight with no leakage.

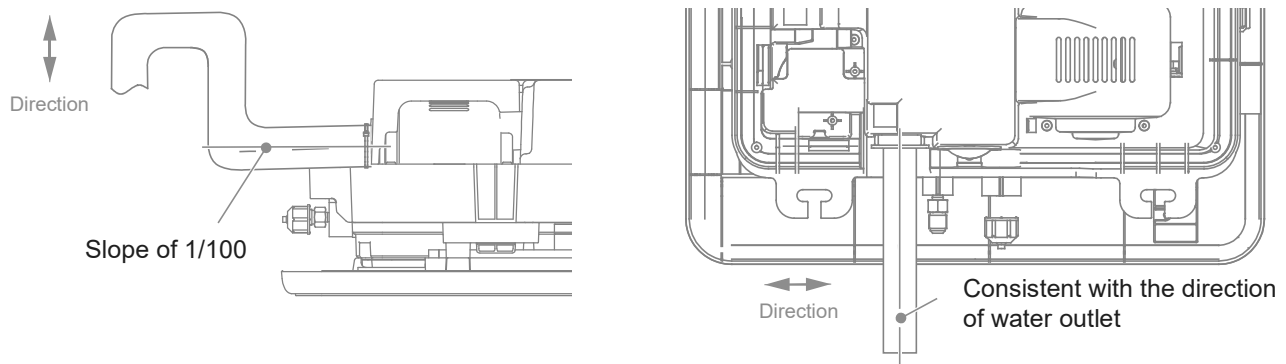




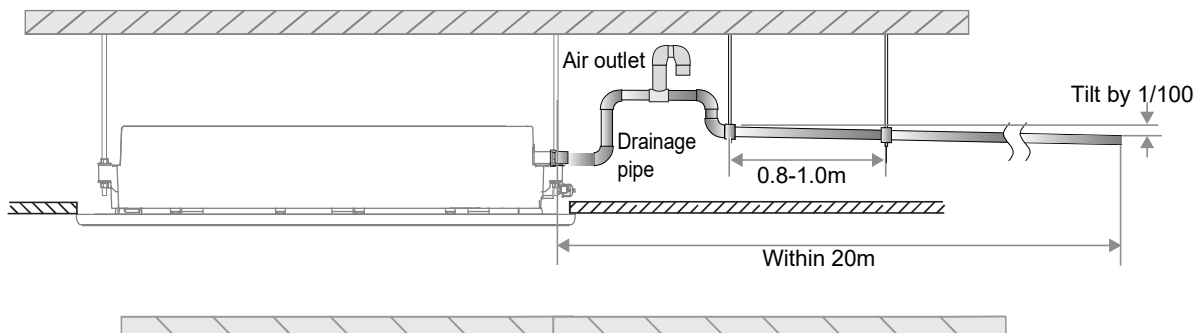
2. The water pump connecting pipe and drainage pipe (in the indoor part) must be wrapped with heat insulation pipe evenly and bound with cable ties to prevent air from entering and producing condensate.



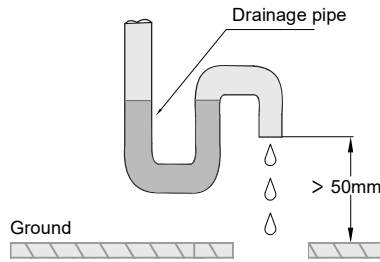
3. To prevent water from flowing back into the air conditioner when it stops running, the drainage pipe should be inclined downward to the outdoor side (drainage side), with a downward slope of 1/100 or above. The drainage pipe should be positioned in the same direction as the drainage outlet of the unit body in the left and right direction, so that the drainage pipe does not expand and collect water; otherwise, it may cause abnormal noise.



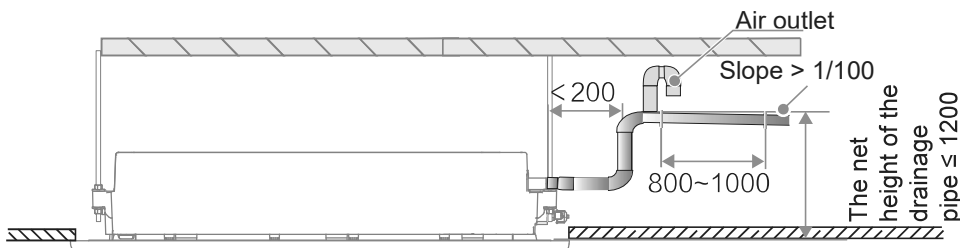
4. When connecting the drainage pipe, do not pull the drainage pipe forcefully, or it may become loose. The lateral length of the drainage pipe should be within 20m, and a support point should be set every 0.8–1.0m to avoid air resistance caused by the deformation of the drainage pipe. The drainage pipe shall be equipped with a support point every 1.5-2.0m.



5. The end of the drainage pipe must be more than 50mm above the ground or from the base of the water discharge slot. In addition, do not submerge it in water. To discharge the condensed water directly into a ditch, the water discharge pipe must bend upwards to form a U-shaped water plug to stop odors from entering the room via the water discharge pipe.

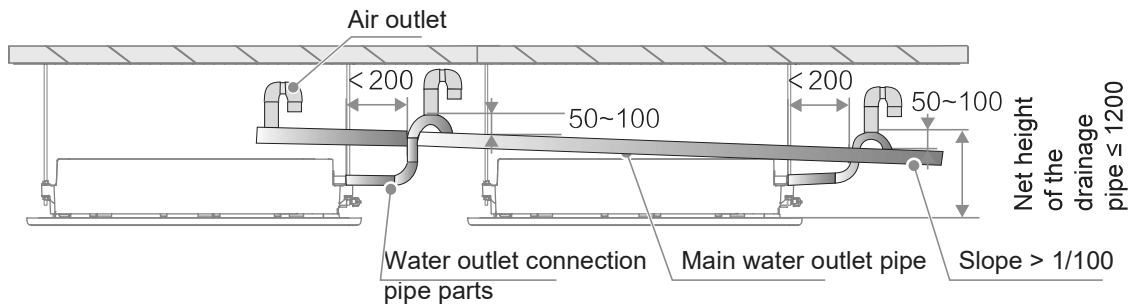


Method to discharge water with the drain pump:



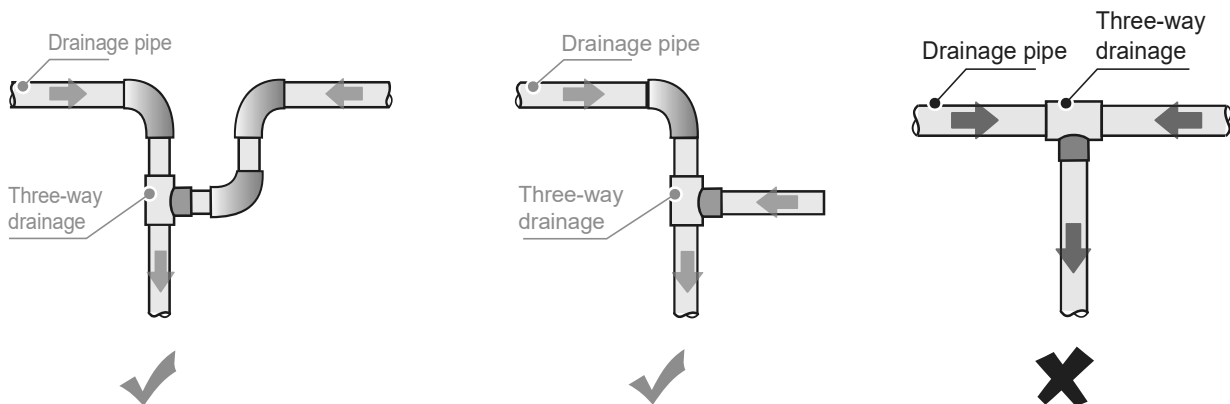
(Unit: mm)

How to connect the drainage pipe for the drain pump of a single unit



Drainage pipes from drain pumps of multiple units are connected to the main drainage pipe to be discharged through the sewage pipe.

Hedging must be prevented for horizontal drainage pipes to avoid adverse slopes and poor drainage.



08.02. Water Discharge Test

1. Before the test, make sure that the water discharge pipeline is smooth, and check that each connection is properly sealed.

2. Conduct the water discharge test in a new room before the ceiling is plastered.

1. The drainage pipes for Indoor Units may use a PVC pipe (outer diameter: 25mm). Larger pipe sizes shall be used if a main pipe is multiple units. Based on the actual connecting installation circumstances, users can purchase pipes of appropriate specifications and lengths from a sales agent or the local after-sales service center, or purchase them directly from the market.

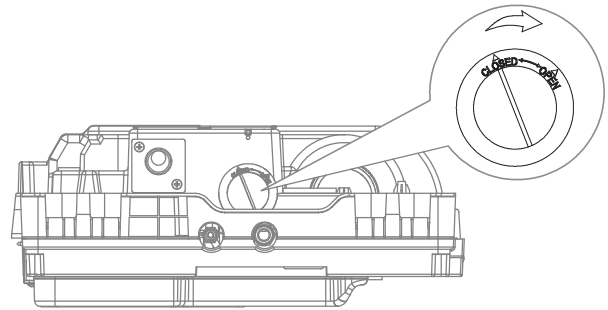
2. Connect the power supply, and set the air conditioner to operate in cooling mode. Check the running sound of the drain pump, and check whether the drainage outlet is draining normally (depending on the length of the drainage pipe, it may be delayed for about 1 minute before draining), and whether there is water leakage at each joint.

3. If water drainage is carried out using the Indoor Unit drain pump, you need to remove the water cover assembly on the unit body when conducting the water discharge test, to check whether the drain pump has started. If the drain pump has not been started, check whether the drain pump has malfunctioned. Note: The drain pump only starts in cooling mode or dry mode. While in heating mode, the drain pump remains turned off.

4. Continue to add water until the alarm for excessive water levels is triggered. Check if the drain pump drains water immediately. After three minutes, if the water level does not fall below the warning level, the unit will shut down. If this occurs, you need to turn off the power supply, and drain away the accumulated water before you can turn on the unit normally.

5. Turn off the power supply, remove the water, and put the water cover assembly back in its original place.

Opening mode of water test cover



CAUTION

The drainage plug at the bottom of the Indoor Unit is used to remove the accumulated water in the drain pan when the air conditioner is faulty and being repaired. The drainage plug should be inserted during operation to prevent water leakage.

Faults, if any, need to be rectified as soon as possible.

09. Electrical Connection

DANGER

The power supply must be cut off before any electrical work is carried out. Do not conduct electrical work when the power is on; otherwise, it may cause serious personal injury.

The air conditioning unit must be grounded reliably and must meet the requirements of the local country/region. If the grounding is not reliable, serious personal injury due to electric leakage may occur.

WARNING

- Installation, inspection or maintenance operations must be completed by professional technicians. All parts and materials must comply with the relevant regulations of the local country/region.
- The air conditioning unit must be equipped with a special power supply, and the power supply voltage should conform to the nominal working voltage range of the air conditioning unit.
- The power supply of the air conditioning unit must be equipped with a power disconnect device that conforms to the requirements of relevant local technical standards for electrical equipment. The power disconnecting device must be equipped with short circuit protection, overload protection and electric leakage protection. The clearance between open contacts of the power disconnecting device shall be at least 3mm.
- The core of the power cable must be made of copper, and the wire diameter should meet the current-carrying requirements. For details, refer to the "Power Cable Diameter and Electric Leakage Protector Selection". A wire diameter that is too small may cause the power cable to heat up, resulting in a fire.
- The power cable and the ground wire should be secured reliably to avoid stress on the terminals. Do not pull the power cable forcibly; otherwise, the wiring may become loosened or the terminal blocks may be damaged.
- Strong current wires such as power cables cannot be connected to weak current wires such as communication lines; otherwise, the product may be seriously damaged.
- Do not bond and connect the power cable. Bonding and connecting the power cable may cause it to heat up, resulting in a fire.

CAUTION

- Avoid bonding and connecting the communication line. If doing so is unavoidable, at the very least, ensure a reliable connection by crimping or soldering and make sure the copper wire at the connection is not exposed; otherwise, communication failure may occur.
- The power cable and communication line must be routed separately, with a distance of over 5 cm. Otherwise, communication failure may occur.
- Keep the vicinity of the air conditioning unit as clean as possible to avoid small animals from nesting and biting the cables. If a small animal touches or bites the cables, short circuiting or electric leakage may occur.
- Do not connect the ground wire to the gas pipe, water pipe, lightning rod ground wire or telephone ground wire. Gas pipe: Risk of explosion and fire when gas leaks.
- Water pipe: If rigid plastic pipes are used, there will be no grounding effect.
- Lightning rod ground wire or telephone ground wire: In the event of lightning strikes, abnormal ground potential may rise.
- After all wiring is completed, check carefully before turning on the power supply.

09.01. Electrical Characteristics

Unit power (kW)	Electric specifications of the Indoor Unit					
	Frequency (Hz)	Voltage (V)	MCA (A)	MFA (A)	IFM power input (W)	FLA (A)
1.8	50	216~253	0.38	15	20	0.30
2.2			0.38		20	0.30
2.8			0.39		20	0.31
3.6			0.39		20	0.31
4.5			0.53		50	0.42
5.6			0.58		50	0.46
7.1			0.59		50	0.47

NOTES

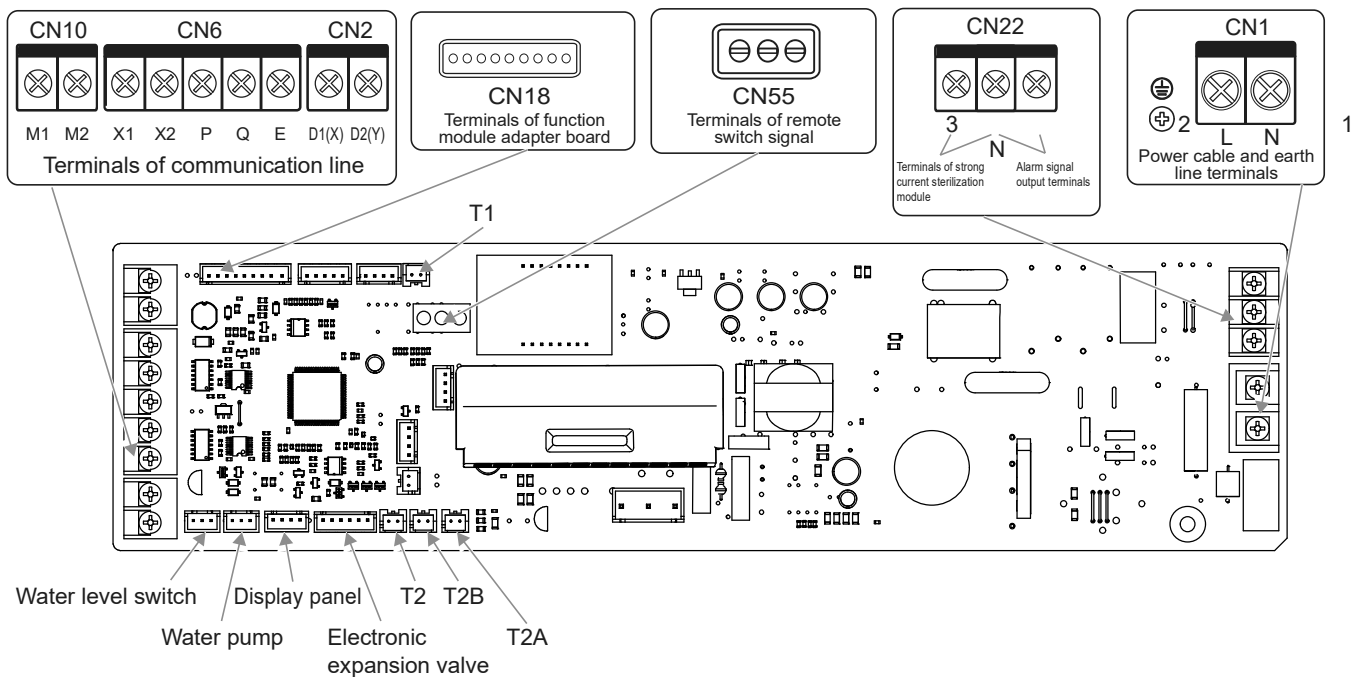
MCA: Min. Circuit Amps. (A), which is used to select the minimum circuit size to ensure safe operation over a long period of time.

MFA: Max. Fuse Amps. (A), which is used to select the circuit breaker.

IFM power input: full load power input of the indoor fan motor (reliable operation at the fastest speed setting).

FLA: Full Load Amps. (A), which is the full load current of the indoor fan motor (reliable operation at the fastest speed setting).

09.02. Schematic diagram of the main terminal blocks of main control board



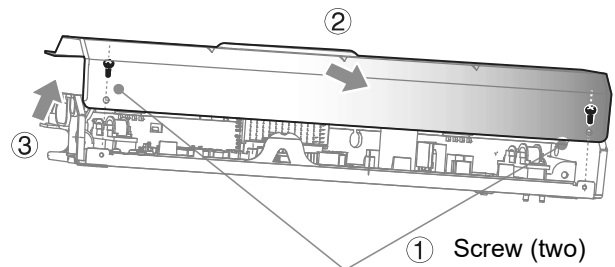
CAUTION

All weak point connection points meet SELV, such as X1, X2, P, Q, E, M1, M2, CN18, CN55 etc.

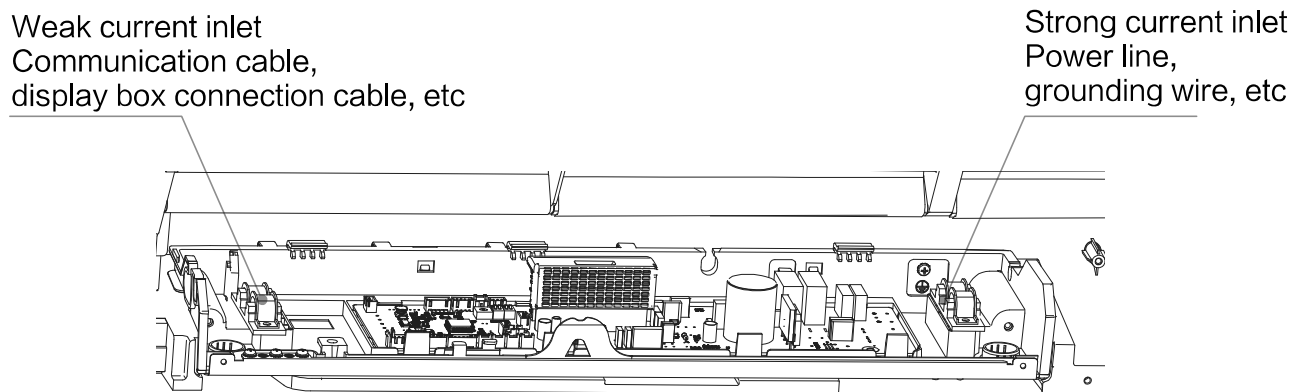
09.03. Wiring

09.03.01. 1. Open the Indoor Unit's electric control box cover.

1. Remove the two screws at the positions shown in the figure;
2. Lift and push the bottom end of the electric control box cover for a certain distance;
3. Remove the electric control box cover by pulling downwards.



09.03.02. 2. Under the electric control box, connect the strong wire (power line, alarm signal output line, strong current sterilization line) and weak wire (communication line, display box connection line, remote switch connection line, and function expansion board connection line) to the electric control box through the strong and weak current inlet.



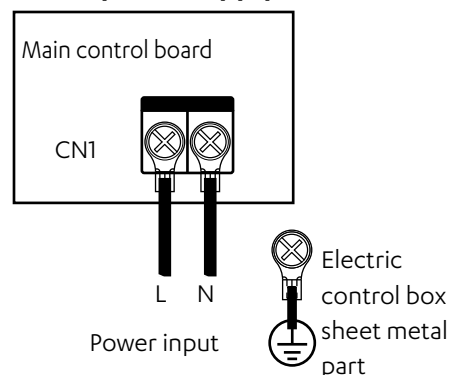
CAUTION

The strong and weak current wires must be separated.
 The alarm signal output, strong current sterilization module and function expansion board are optional.

09.03.03. Power cable connection

09.03.03.01. Connection between the power cable and power supply terminal

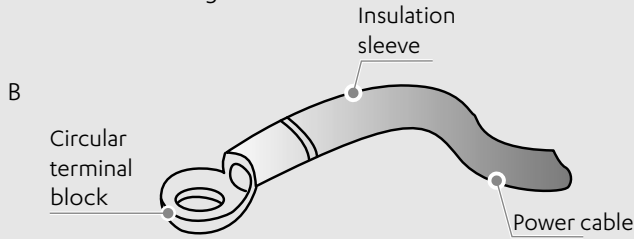
The power supply terminal of the Indoor Unit is fixed to the main control board, and the power cable is connected to the power supply terminal labeled "CN1" on the main control board. The live and neutral wires are connected according to the main control board logos "L" and "N", and the ground wire is directly connected to the electric control box sheet metal part.



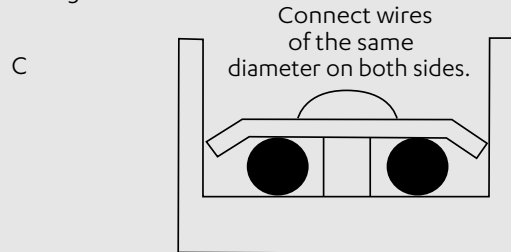
CAUTION

A Do not bond and connect the power cable. Bonding and connecting the power cable may cause it to heat up, resulting in a fire.

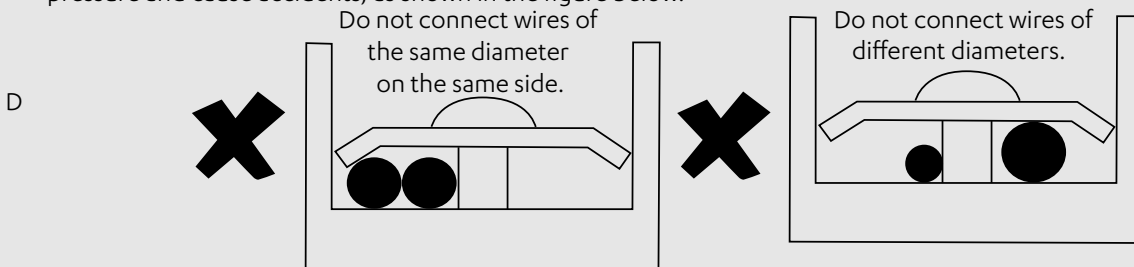
The power cable must be crimped reliably using an insulated circular terminal block, and then connected to the power supply terminal of the Indoor Unit, as shown in the figure below.



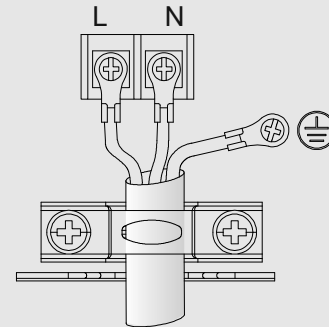
If it fails to crimp the insulated circular terminal block due to on-site limitations, connect the power cables of the same diameter to both sides of the power supply terminal block of the Indoor Unit, as shown in the figure below.



Do not press the power cables of the same wire diameter on the same side of the terminal. Do not use two power cables of different wire diameters for the same terminal blocks; otherwise, they can easily loosen due to uneven pressure and cause accidents, as shown in the figure below.



E The connected power cable should be secured with a wire clamp to prevent loosening, as shown in the right figure.

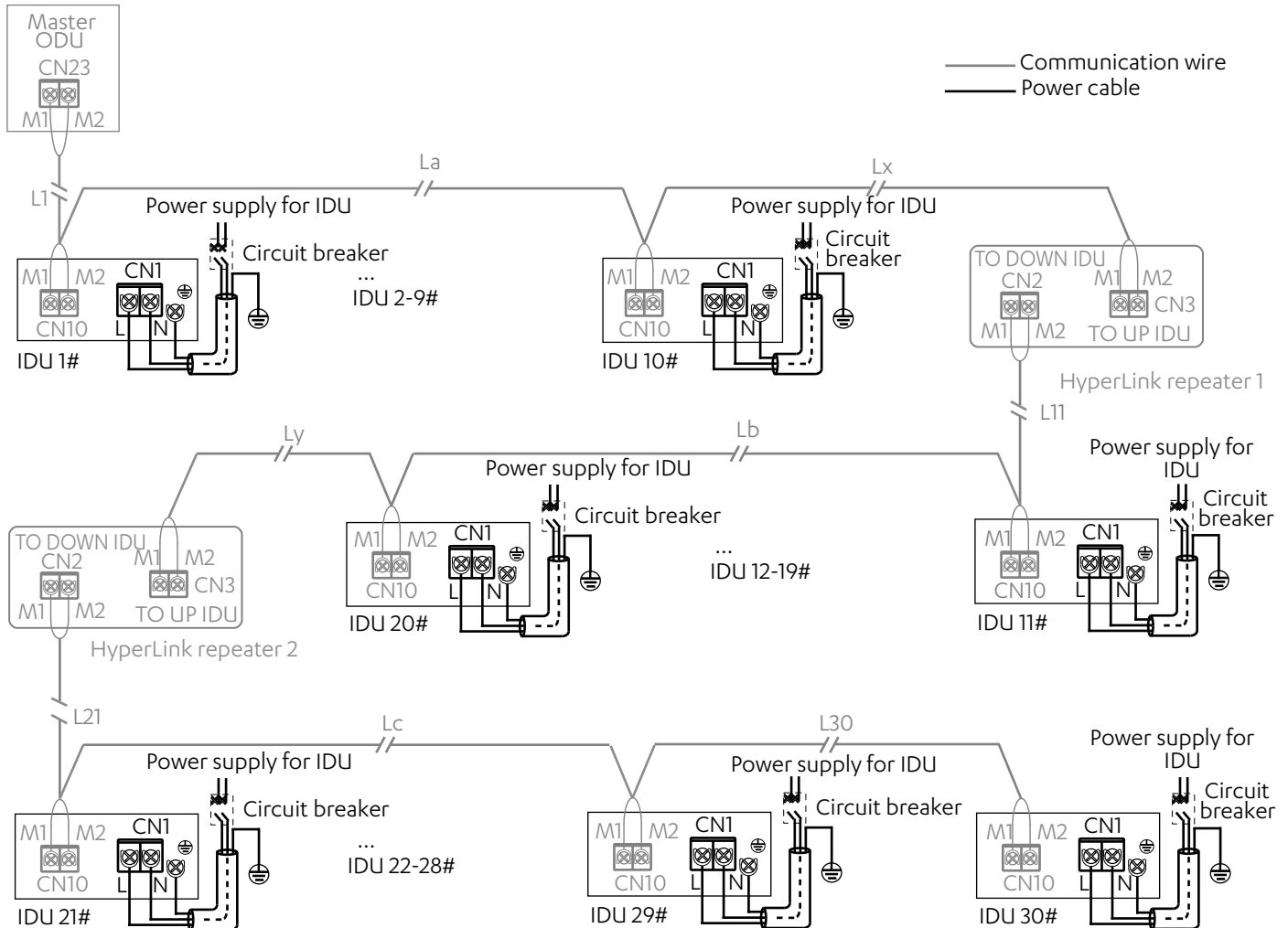


09.03.03.02. Power cable system connection

Power cable system connection depends on the forms of communication between the Indoor Unit and Outdoor Unit. For the HyperLink communication form with an independent power supply, Indoor Units are allowed to have an independent power supply. For other communication forms, Indoor Units should be provided with uniform power supply.

A. Indoor Units are provided with independent power supplies*, which are wired as follows:

For HyperLink communication with an independent power supply:

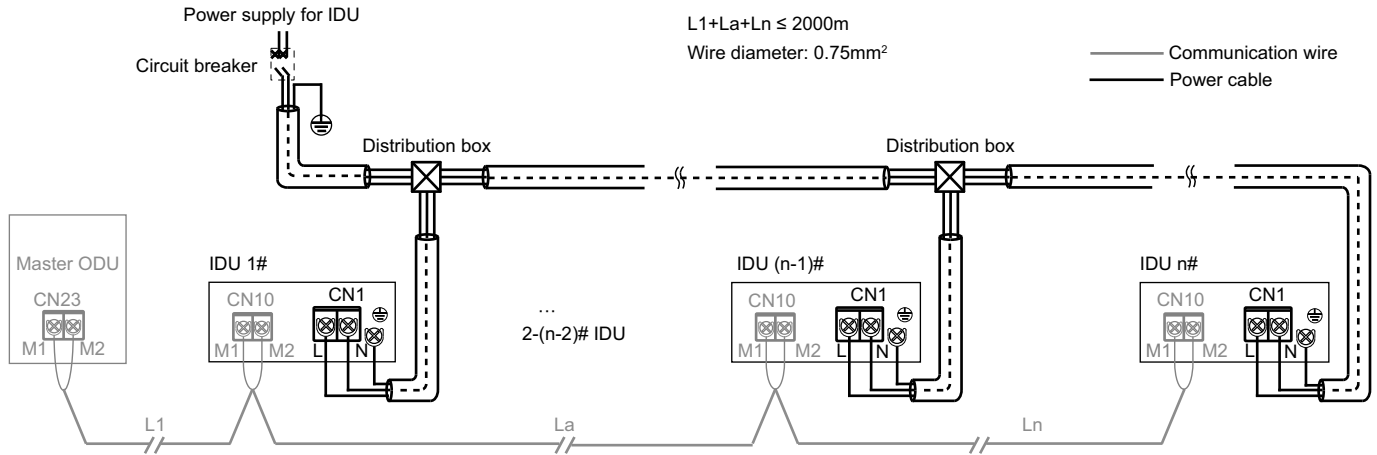


⚠ CAUTION

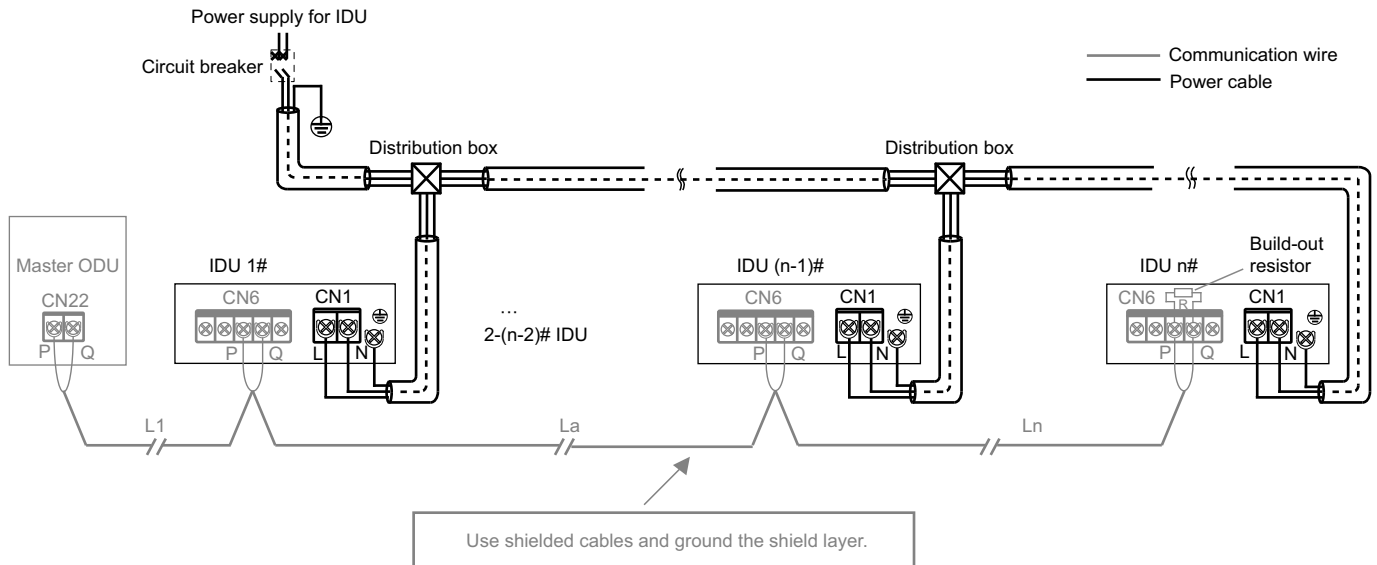
- When the Indoor Units are provided with independent power supplies, the Indoor Units in the same refrigerant system should be ECOFLEX Indoor Units*, and the communication between Indoor Units and Outdoor Unit adopts a HyperLink with an independent power supply.
- This connection method has the function of an independent power supply, so in the same refrigerant system, the number of Indoor Units must not exceed 30 sets, and a maximum of only two repeaters may be installed*.
- One repeater shall be added for every 10 Indoor Units or a communication distance of 200m added.

B. Indoor Units are provided with uniform power supply*, which are wired as follows:

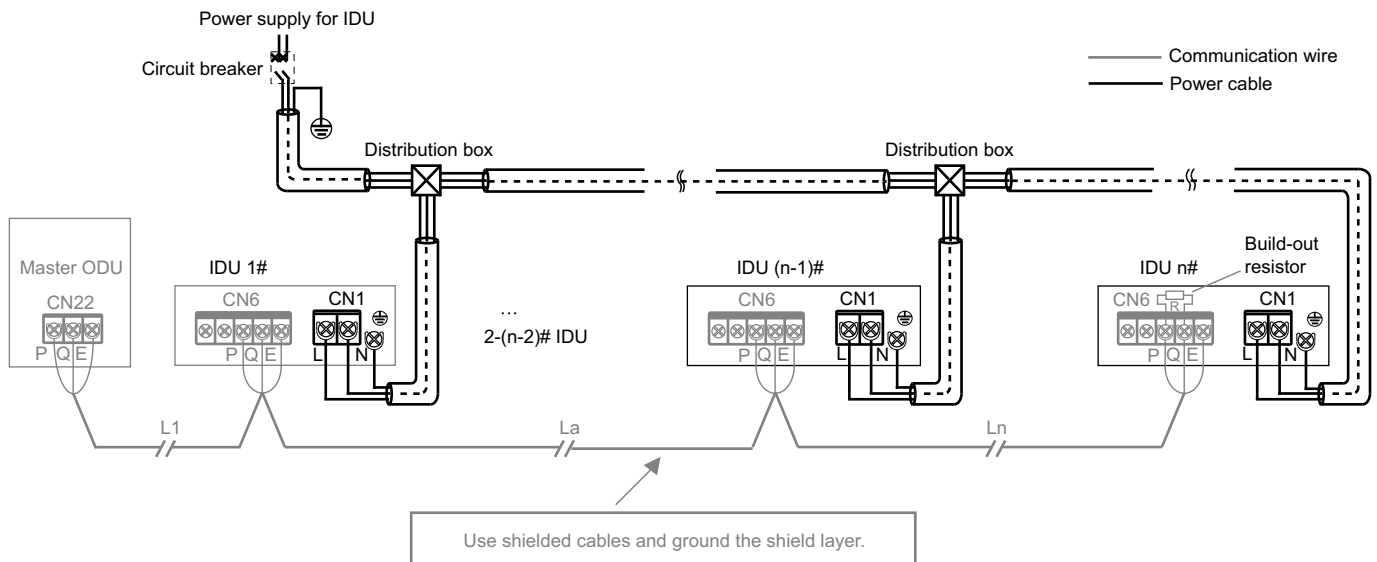
1. HyperLink communication with the uniform power supply:



2. P/Q communication:



3. P/Q/E communication:



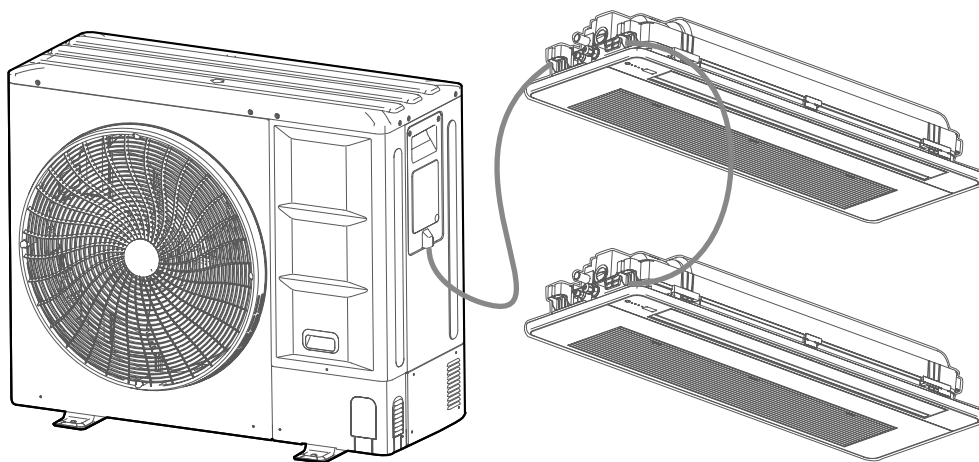
CAUTION

- When the Indoor Units are provided with a uniform power supply, if the Indoor Units in the same refrigerant system are ECOFLEX Indoor Units, then Indoor Units and Outdoor Unit can communicate either via HyperLink with a uniform power supply, or via P/Q communication. If some of the Indoor Units in the same refrigerant system are non-ECOFLEX series, then Indoor Units and Outdoor Unit can only communicate via P/Q or P/Q/E communication.
- Both P/Q communication and HyperLink communication (M1M2) are indoor and outdoor communication, and only one of them can be selected. Do not connect P/Q communication and HyperLink communication at the same time in the same system. Do not connect HyperLink communication to P/Q or D1D2 communication.

NOTE

- ECOFLEX Indoor Units: with ECOFLEX printed on the packaging carton
- Independent power supply: With separate circuit breakers, the power supply for each Indoor Unit can be controlled independently.
- Uniform power supply: All the Indoor Units in the system are controlled by one circuit breaker.
- Repeater: power supply repeater, which is used to compensate for the pressure drop due to excessive length of line or line resistance when the main control board of the Outdoor Unit provides an independent power supply for Indoor Units through the HyperLink communication line. It is only used in refrigerant systems where Indoor Units are provided with an independent power supply.

3. Wiring diagram of main power supply



WARNING

The main power supply wiring needs to be added with protective wire conduit.

09.03.04. Communication line connection

1. Selection of communication method for Indoor Units

Equipped with independently developed HyperLink (M1M2) communication, ECOFLEX series Indoor Units also preserve the previous RS-485 (PQE) communication method. They are compatible with non Ecoflex indoor units. Pay attention to the type of Indoor Unit you have purchased before connecting communication lines. Please refer to the following table to select an appropriate communication method.

Indoor Unit type	Optional communication method between Indoor Units and Outdoor Unit	Remarks
Where all Indoor Units are ECOFLEX series	HyperLink (M1M2) communication	1. Independent power supply for Indoor Units*. 2. Any topology connection of communication lines. 3. Two-core and non-polar communication for M1M2.
	RS-485 (PQ) communication	1. The Indoor Units need to be powered uniformly. 2. The communication cables must be connected in serial. 3. Two-core and non-polar communication for PQ.
Where some Indoor Units are non-ECOFLEX series	RS-485 (PQE) communication	1. The Indoor Units need to be powered uniformly. 2. The communication cables must be connected in serial. 3. PQE cables must be 3-core and PQ non-polar.

2. Table of selection of communication line diameter

Function	Indoor Unit and Outdoor Unit communication				One controller to one Indoor Unit (Two controllers to one Indoor Unit communication)	One-to-more (centralized controller) Communication
	Hyperlink communication (Indoor Units are powered independently)	Hyperlink communication (Indoor Units are powered independently)	P/Q communication (Indoor Units are powered uniformly)	P/Q/E communication (Indoor Units are powered uniformly)	x1x2 communication	D1D2 communication
Wire diameter	2 x 1.5mm ²	2 x 0.75mm ²	2 x 0.75mm ² (shielded cable)	3 x 0.75mm ² (shielded cable)	2 x 0.75mm ² (shielded cable)	2 x 0.75mm ² (shielded cable)
Length	≤600m (add two repeaters*)	≤2000m	≤1200m	≤1200m	≤200m	≤1200m

*to be purchased separately

⚠ CAUTION

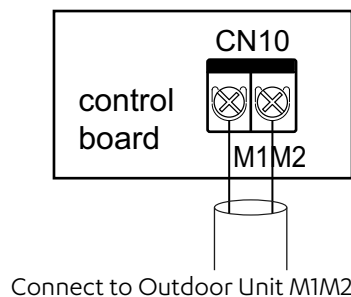
- Please select the communication line according to the requirements in the above reference table. Use shielded cables for communication when strong magnetism or interference is present.
- On-site wiring must comply with the relevant regulations of the local country/region and must be completed by professionals.
- Do not connect the communication line when the power is on.
- Do not connect the power cable to the communication terminal; otherwise, the main control board may be damaged.
- The standard value of the screw torque of the communication line terminal is 0.5N·m. Insufficient torque may cause poor contact; excessive torque may damage the screws and power supply terminals.
- Both HyperLink communication and PQ communication are internal and external, so only one of the two can be selected. Do not connect both HyperLink communication line and PQ communication line to the same system, otherwise the Indoor Unit and Outdoor Unit cannot communicate normally.
- If some of the Indoor Units in the same refrigerant system are non-ECOFLEX series, only P/Q/E communication can be selected for the Indoor Unit and Outdoor Unit communication. The three-core shielded cable of 3×0.75mm² is required to connect "P", "Q", and "E".
- Do not bundle the communication line with the refrigerant pipeline, power cable, etc. When the power cable and the communication line are laid in parallel, a distance of more than 5cm should be maintained to prevent interference from the signal source.
- When the construction personnel of the Indoor Unit and Outdoor Unit are working separately, information communication and synchronization are required. Do not connect the Outdoor Unit to HyperLink and the Indoor Unit to PQ. Do not connect the Outdoor Unit to PQ and the Indoor Unit to HyperLink.
- Bonding and connecting the communication line should be avoided, but if it is used, at the very least, ensure a reliable connection by crimping or soldering and make sure the copper wire at the connection is not exposed; otherwise, communication failure may occur.

3. Indoor Unit and Outdoor Unit communication

09.03.04.01. Indoor Unit and Outdoor Unit communication

a. HyperLink communication (with independent power supply)

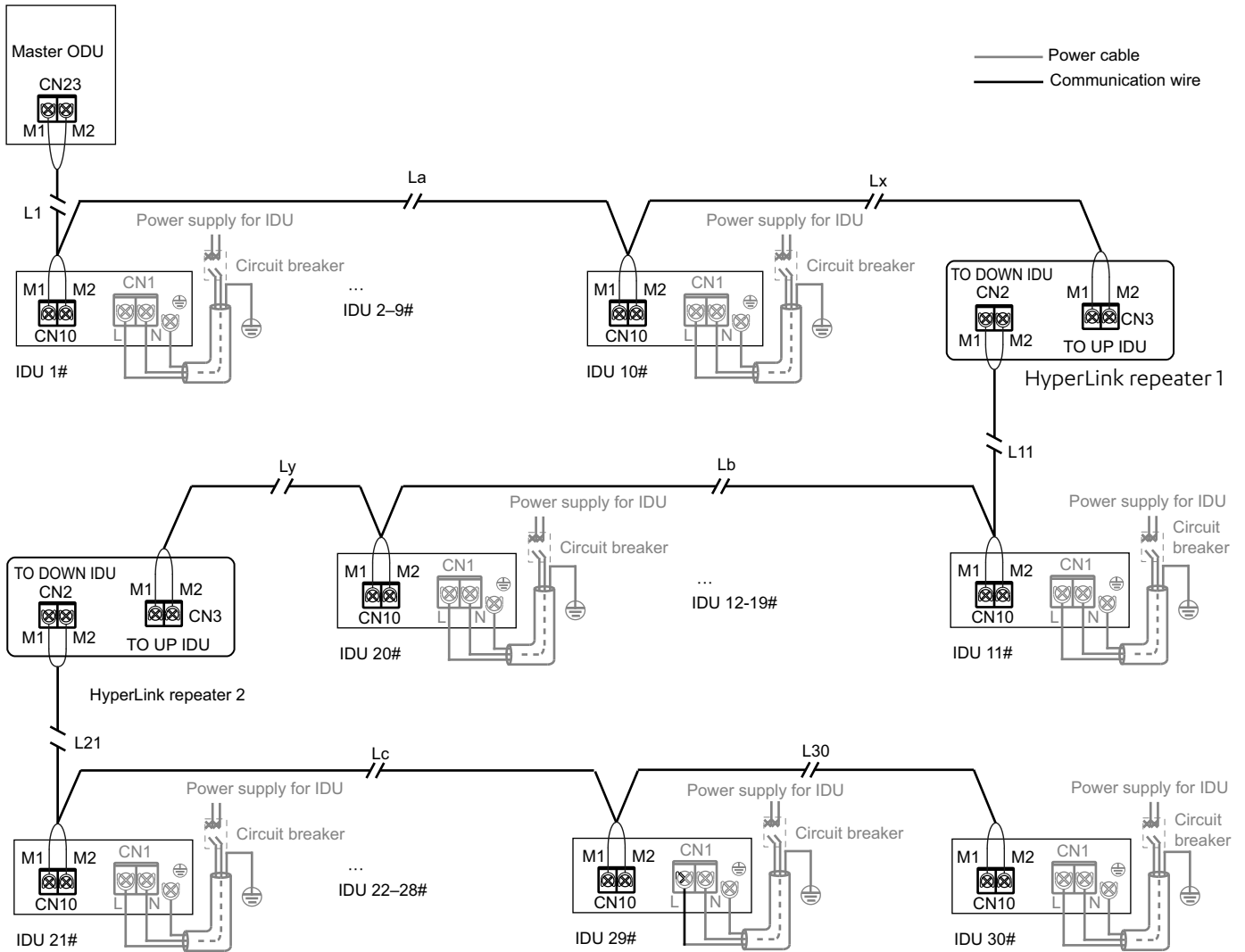
Single unit: HyperLink communication is a new type of Indoor Unit and Outdoor Unit communication technology. When the Indoor Units are provided with independent power supplies, use 2×1.5mm² communication cables. M1 and M2 ports are located at terminal block "CN10" of the main control board. There is no distinction between negative and positive electrodes. For details, see the following figure:



⚠ CAUTION

- Do not connect the HyperLink communication line to the PQ or D1D2 communication line.
- System: The HyperLink communication line with an independent power supply between the Indoor Unit and Outdoor Unit can reach up to 600 meters, supporting any connection topology.

The following figure shows a serial connection:



$$L1+La+Lx \leq 200m \quad L11+Lb+Ly \leq 200m \quad L21+Lc+L30 \leq 200m$$

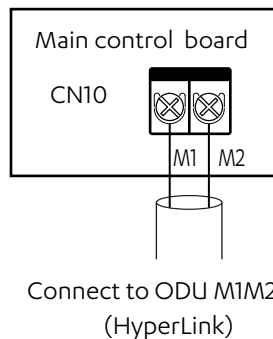
For other connection methods (tree topology, star topology, ring topology), please refer to the technical manual or consult technical personnel.

 **CAUTION**

- If the total distance is $\leq 200\text{m}$ and the total number of Indoor Units is ≤ 10 sets, the valve is powered and controlled by the master Outdoor Unit.
- If the total distance is longer than 200m or the total number of Indoor Units is more than 10 sets, a repeater is required to increase the bus voltage.
- The load capacity of the repeater is the same as that of the Outdoor Unit, and it can load a bus length of 200m or 10 Indoor Units. The number of Indoor Units requiring power supply in the same refrigerant system does not exceed 30 sets.
- A maximum of two repeaters can be installed in the same refrigerant system.
- Keep the power on/off for both the repeater and the Outdoor Unit, or use an uninterruptible power supply.
- For repeater installation, refer to the repeater installation manual. Do not connect the upstream and downstream Indoor Unit ports of the repeater in reverse; otherwise, it will cause a communication failure.
- The repeater is optional. If you need to purchase it, please contact your local dealer.

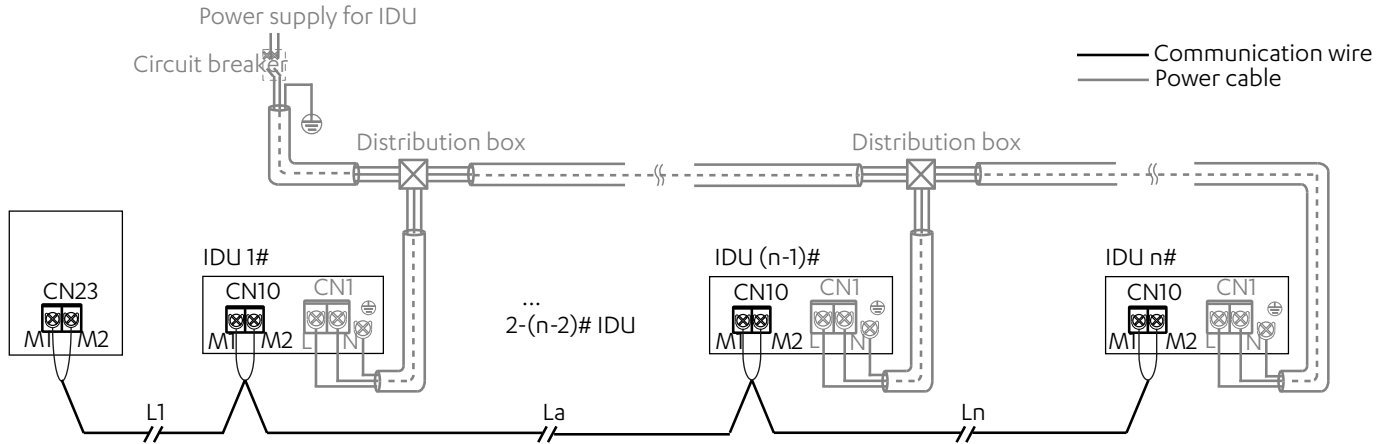
b. HyperLink communication (with uniform power supply)

Single unit: When the Indoor Units are provided with uniform power supply, it is not necessary for HyperLink communication line to provide an independent power supply for Indoor Units. In this case, use $2 \times 0.75\text{mm}^2$ communication cables. M1 and M2 ports are located at terminal block "CN10" of the main control board. There is no distinction between negative and positive electrodes. For details, see the following figure:


 **CAUTION**

Do not connect the HyperLink communication line to the PQ or D1D2 communication line.

System: The HyperLink communication line with a uniform power supply between Indoor Unit and Outdoor Unit can reach a length of up to 2000 meters, supporting any topology connection. The following figure shows a serial connection:



$$L1 + La + Ln \leq 2000m$$

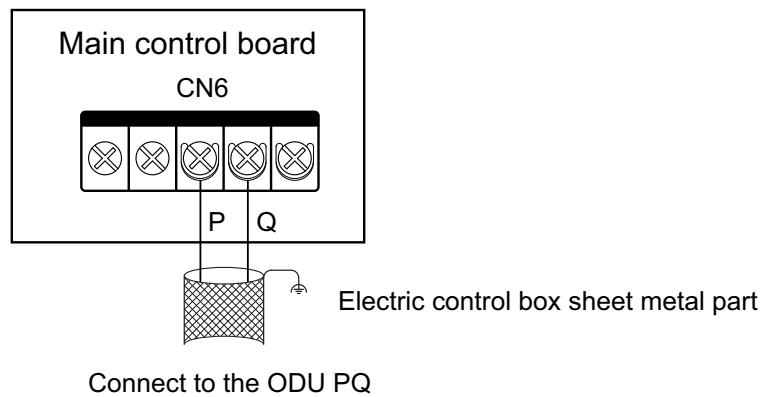
For other connection methods (tree topology, star topology, ring topology), please refer to the technical manual or consult technical personnel

⚠ CAUTION

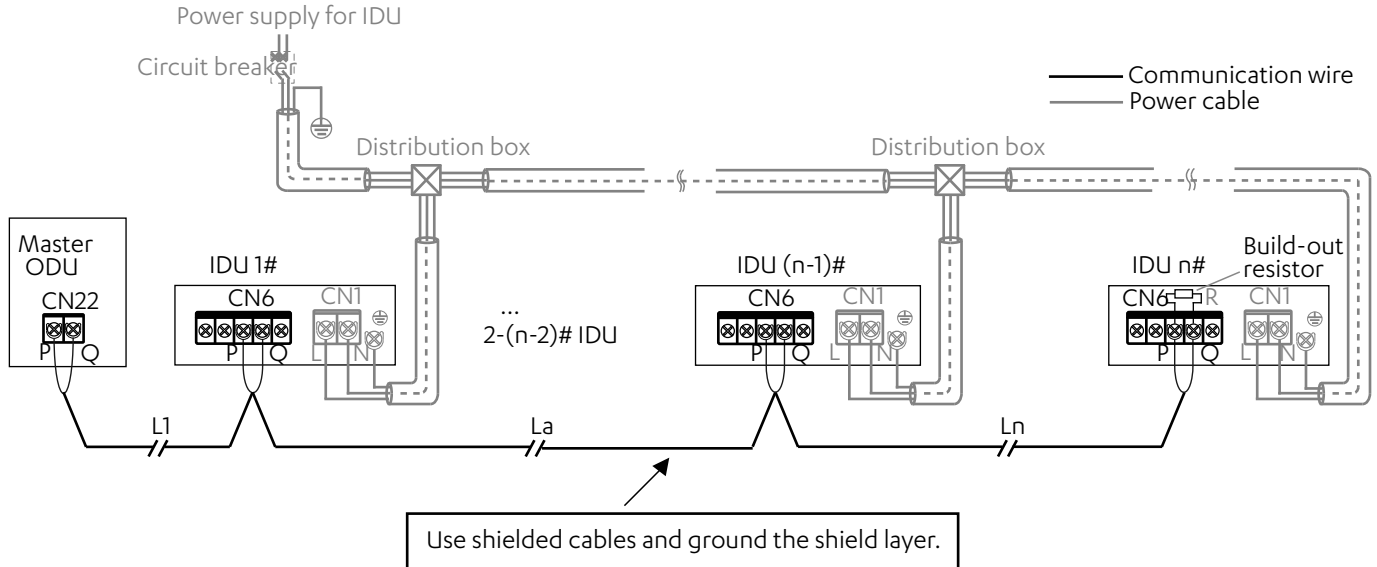
- When HyperLink with a uniform power supply is available, a uniform power supply for Indoor Units is required. For details, see "Power Cable Connection".
- When HyperLink with a uniform power supply is available, there is no need to connect a repeater to the system.

c. P/Q communication

Single unit: Use a shielded cable for the P/Q communication and properly ground the shield layer. P and Q ports are located at terminal block "CN6" of the main control board. There is no distinction between negative and positive electrodes. Connect the shield layer to the sheet metal of the electric control box, as shown in the following figure:



System: The HyperLink communication line with a uniform power supply between Indoor Unit and Outdoor Unit can reach a length of up to 2000 meters, supporting any topology connection. The following figure shows a serial connection:

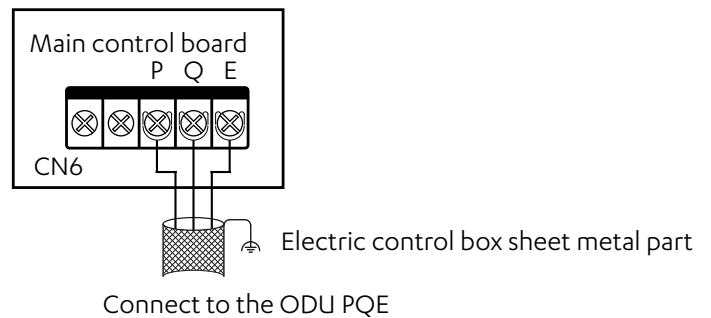


$$L1 + La + Ln \leq 1200m$$

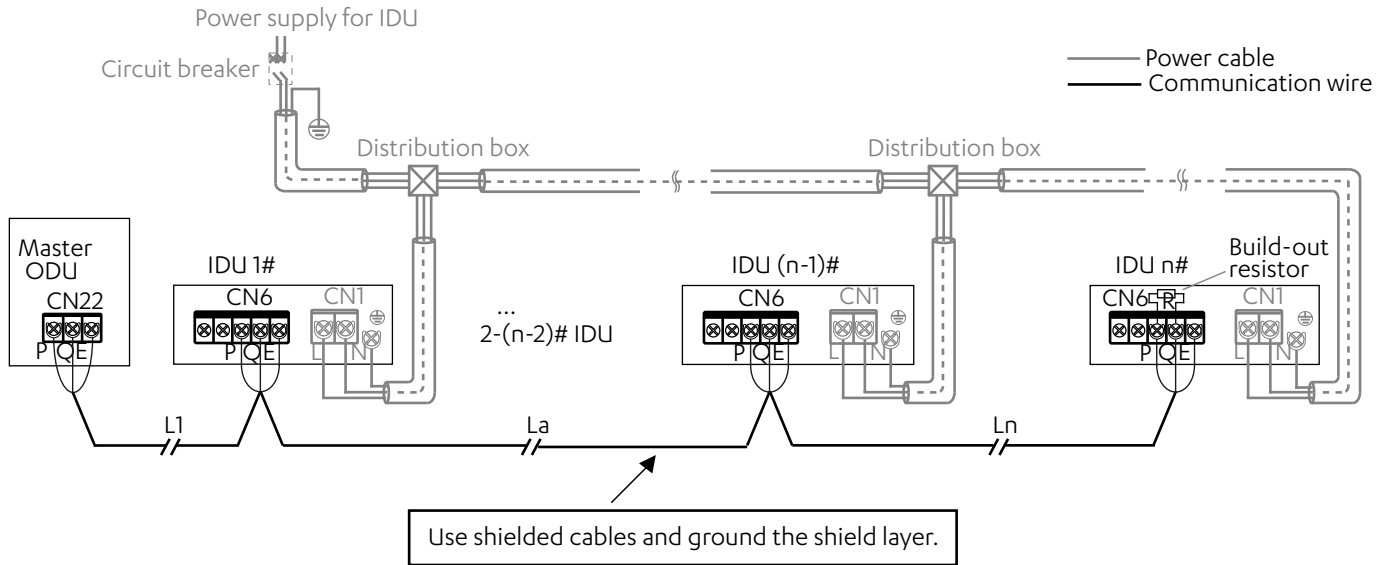
d. P/Q/E communication

If some of the Indoor Units in the same refrigerant system are non-ECOFLEX series, it is required to connect "P", "Q", and "E" for P/Q/E communication.

Single unit: Use a shielded cable for the P/Q/E communication and properly ground the shield layer. P, Q, and E ports are located at terminal block "CN6" of the main control board. There is no distinction between negative and positive electrodes. Connect the shield layer to the sheet metal of the electric control box, as shown in the following figure:



System: The maximum total length of the P/Q/E communication cable of the Indoor Unit and Outdoor Unit can be up to 1200m, and can be connected in serial, as shown in the figure below:



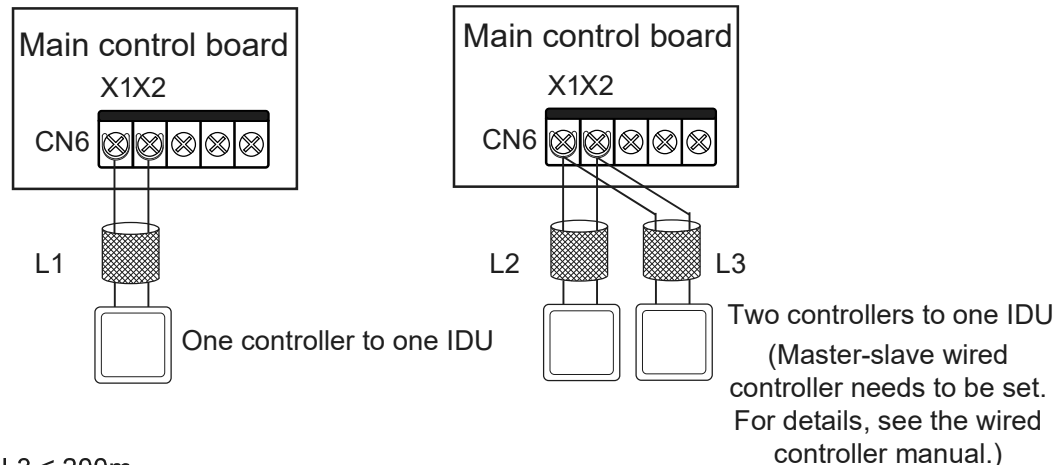
$L1+La+Ln \leq 1200m$

CAUTION

- When P/Q or P/Q/E communication is used, the Indoor Units need to be powered uniformly.
- Either P/Q, P/Q/E communication or HyperLink communication can be selected. If it is required for Indoor Units to have independent power supplies, then HyperLink communication must be selected.
- Use only shielded cables for P/Q or P/Q/E communication. Otherwise, the Indoor Unit and Outdoor Unit communication may be affected.
- A matching resistor needs to be added to the last Indoor Unit on the PQ (in the accessory bag of the Outdoor Unit).

4. X1/X2 communication cable connection

The X1X2 communication line is mainly connected to the wired controller to achieve one controller per Indoor Unit and two controllers per Indoor Unit. The total length of the X1X2 communication line can reach 200 meters. Please use shielded wires, but the shield layer cannot be grounded. X1 and X2 ports are located at terminal block "CN6" of the main control board. There is no distinction between negative and positive electrodes. For details, see the following figure:



$L1 \leq 200m, L2+L3 \leq 200m.$

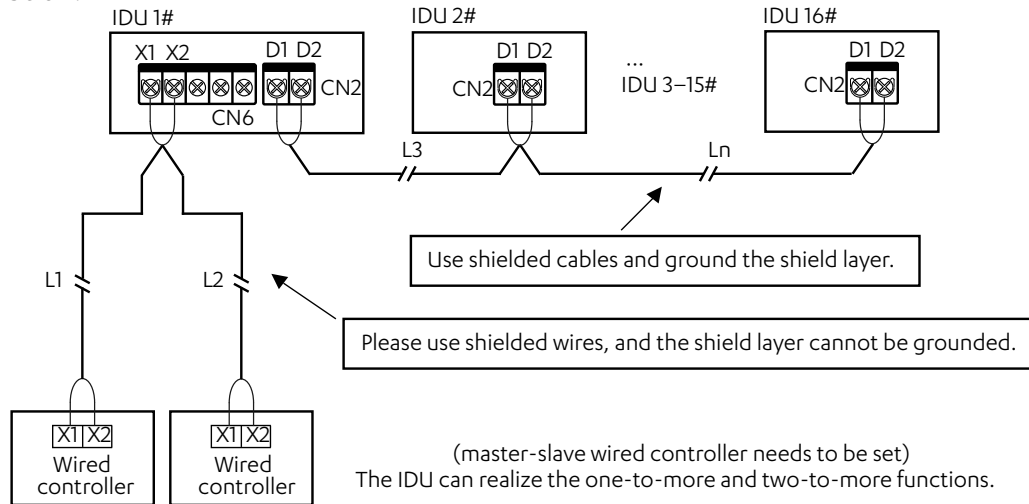
CAUTION

Two wired controllers of the same model can be used to control one Indoor Unit at the same time. In this case, you need to set one controller to be the master and the other to be the slave. For details, see the wired controller manual.

09.03.04.02. D1D2 communication line connection (limited to Outdoor Unit and system configuration)

A. Achieving one-to-multiple and two-to-multiple functions of the Indoor Unit wired controller through D1D2 communication (a maximum of 16 sets)

D1D2 communication is 485 communication. The one-to-more and two-to-more functions of the Indoor Unit wired controller can be achieved through D1D2 communication, as shown in the figure below:



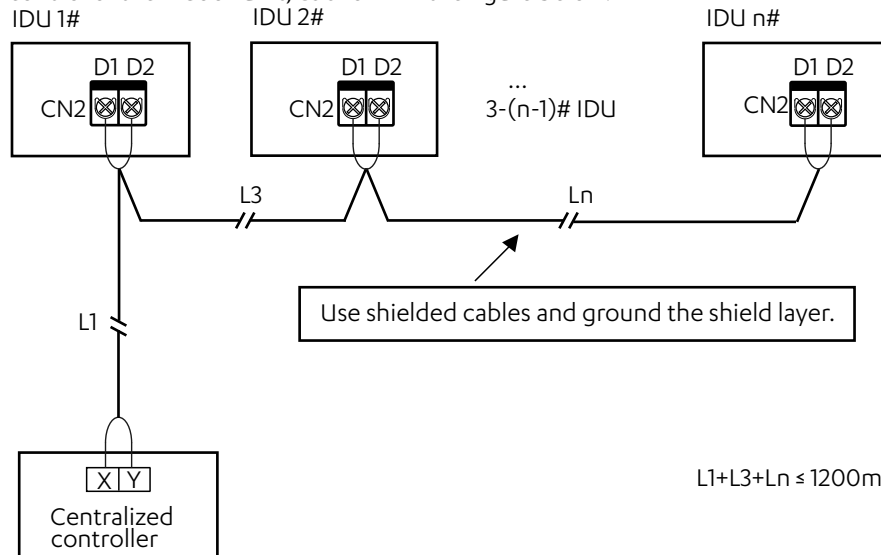
$L1+L2 \leq 200m, L3+Ln \leq 1200m$

CAUTION

- When the Indoor Units in the same refrigerant system are ECOFLEX Indoor Units, D1D2 communication can enable one-to-multiple and two-to-multiple functions of the Indoor Unit wired controller.
- To enable two-to-multiple functions, wired controllers must be of the same model.

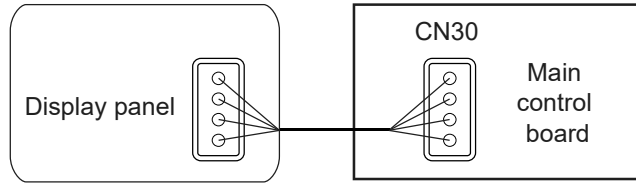
B. Achieving centralized control of the Indoor Unit through D1D2 communication

The D1D2 communication line can also be connected to the centralized controller to achieve centralized control of the Indoor Unit, as shown in the figure below:



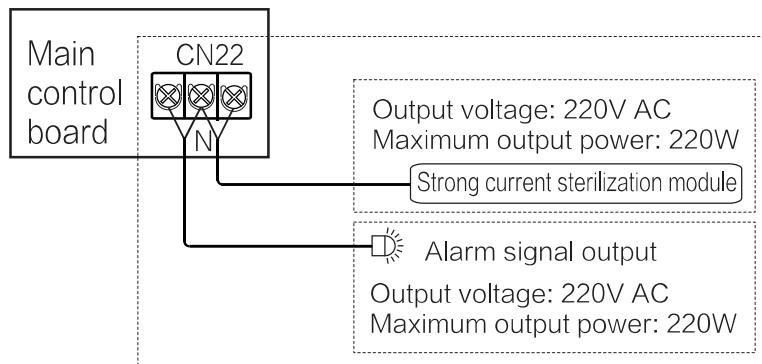
09.03.05. Connection of display panel

The display panel is connected to the main control board through a 4-core cable, and is connected to the “CN30” socket of the main control board, as shown in the following figure:



09.03.06. Alarm signal output, strong current sterilization connection

The alarm signal output and strong current sterilization wiring base are fixed on the main control board, and the alarm signal output and strong current sterilization are connected on the wiring base with the tag number of “CN22” on the main control board. The alarm signal output and strong current sterilization module are connected according to the schematic diagram. Both share the zero line, as shown in the following figure:

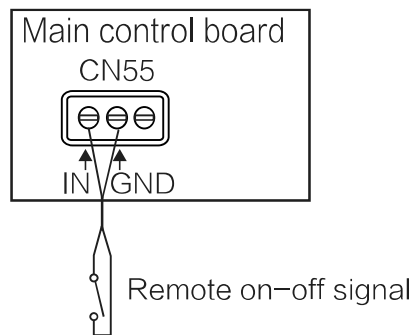


! CAUTION

Alarm signal output and strong current sterilization are customized functions.

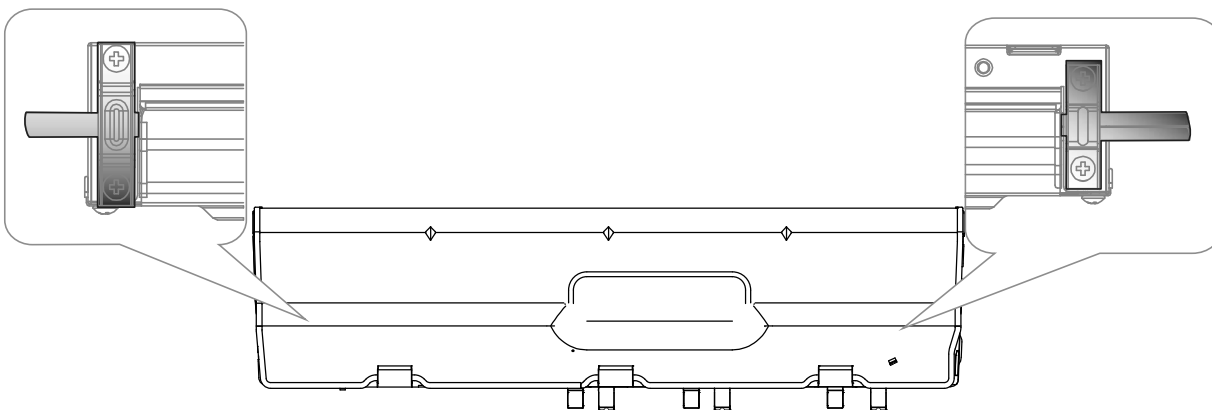
09.03.07. Remote switch signal wiring

The wiring base of the remote switch on/off signal is fixed on the main control board with the tag number of “CN55”. According to the identification of the main control board, connect the 1 and 2 terminals of the terminal (the third terminal has no function), as shown in the following figure:



09.03.08. Reclose the electric control box cover

Straighten out the connecting wires and lay them flat, and close the electric control box cover again.

**⚠ CAUTION**

Do not cover the electric control box during power-on.

When covering the electric control box, arrange the cables carefully and do not clip the connecting wires on the electric control box cover.

10. Application Control

10.01. Error Codes and Definitions

In the following circumstances (warning failures excluded), please stop the air conditioner immediately, cut off the power switch and contact the local air conditioner customer service center. The error code is displayed on the display panel and the wired controller display.

Error code	Error
A01	Emergency stop
A11	R-32 refrigerant leaks, requiring shutdown immediately
A51	Outdoor Unit fault
A71	The fault of the linked FAPU is transmitted to the master Indoor Unit (series setting)
A72	The fault of the linked humidifying Indoor Unit is transmitted to the master Indoor Unit
A73	The fault of the linked FAPU is transmitted to the master Indoor Unit (non-series setting)
A74	The fault of the AHU Kit slave unit is sent to the master unit
A81	Self-check fault
A82	MS (refrigerant flow direction switching device) fault
A91	Mode conflict (Non-ECOFLEX communication protocol adopted)
b11	1# EEV coil fault
b12	1# EEV body fault
b13	2# EEV coil fault
b14	2# EEV body fault
b34	Stall protection on 1# water pump
b35	Stall protection on 2# water pump
b36	Water level switch alarm
b71	Reheating electric heater fault
b72	Preprocessing electric heater fault
b81	Humidifier fault
C11	Duplicate Indoor Unit address code
C21	Abnormal communication between the Indoor Unit and Outdoor Unit
C41	Abnormal communication between the Indoor Unit main control board and fan drive board
C51	Abnormal communication between the Indoor Unit and wired controller
C52	Abnormal communication between the Indoor Unit and Wi-Fi Kit
C61	Abnormal communication between the Indoor Unit main control board and display board
C71	Abnormal communication between the AHU Kit slave unit and master unit
C72	Number of AHU Kits is not the same as the set number
C73	Abnormal communication between the linked humidifying Indoor Unit and master Indoor Unit
C74	Abnormal communication between the linked FAPU and master Indoor Unit (series setting)
C75	Abnormal communication between the linked FAPU and master Indoor Unit (non-series setting)
C76	Abnormal communication between the main wired controller and secondary wired controller

Error code	Error
C77	Abnormal communication between the Indoor Unit main control board and 1# function expansion board
C78	Abnormal communication between the Indoor Unit main control board and 2# function expansion board
C79	Abnormal communication between the Indoor Unit main control board and adapter board
d16	Air inlet temperature of the Indoor Unit is too low in heating mode
d17	Air inlet temperature of the Indoor Unit is too high in cooling mode
d81	Alarm for exceeding temperature and humidity range
dE1	Sensor control board fault
dE2	PM2.5 sensor fault
dE3	CO2 sensor fault
dE4	Formaldehyde sensor fault
dE5	INTELLECTUAL EYE sensor fault
E21	T0 (fresh inlet air temperature sensor) short-circuits or cuts off
E22	The upper dry bulb temperature sensor short-circuits or cuts off
E23	The lower dry bulb temperature sensor short-circuits or cuts off
E24	T1 (Indoor Unit return air temperature sensor) short-circuits or cuts off
E31	The built-in room temperature sensor of the wired controller short-circuits or cuts off
E32	The wireless temperature sensor short-circuits or cuts off
E33	The external room temperature sensor short-circuits or cuts off
E61	Tcp (pre-cooled fresh air temperature sensor) short-circuits or cuts off
E62	Tph (pre-heated fresh air temperature sensor) short-circuits or cuts off
E81	TA (outlet air temperature sensor) short-circuits or cuts off
EA1	Outlet air humidity sensor fault
EA2	Return air humidity sensor fault
EA3	Upper wet bulb sensor fault
EA4	Lower wet bulb sensor fault
EC1	R-32 refrigerant leakage sensor fault
F01	T2A (heat exchanger inlet temperature sensor) short-circuits or cuts off
F11	T2 (heat exchanger middle temperature sensor) short-circuits or cuts off
F12	T2 (heat exchanger middle temperature sensor) overtemperature protection
F21	T2B (heat exchanger outlet temperature sensor) short-circuits or cuts off
P71	Main control board EEPROM fault
P72	Indoor Unit display control board EEPROM fault
U01	Locked (electronic lock)
U11	Unit model code not set
U12	Horsepower code not set
U14	Horsepower code setting error
U15	AHU Kit fan control input signal DIP setting error

Error code	Error
U38	Address code not detected
J01	Motor failed more than once
J1E	IPM (fan module) overcurrent protection
J11	Instantaneous overcurrent protection for phase current
J3E	Low bus voltage fault
J31	High bus voltage fault
J43	Phase current sample bias error
J45	Motor and Indoor Unit are unmatched
J47	IPM and Indoor Unit are unmatched
J5E	Motor startup failure
J52	Motor blocking protection
J55	Speed control mode setting error
J6E	Phase lack protection of motor

10.02. Operating Status Codes and Definitions (Non-Error)

Code	Definition
d0	Oil return or preheating operation
dC	Self-cleaning
dd	Mode conflict (ECOFLEX communication protocol adopted)
dF	Defrosting
d51	Static pressure detection
d61	Remote shutdown
d71	Indoor Unit backup operation
d72	Outdoor Unit backup operation
OTA	Main control program upgrading

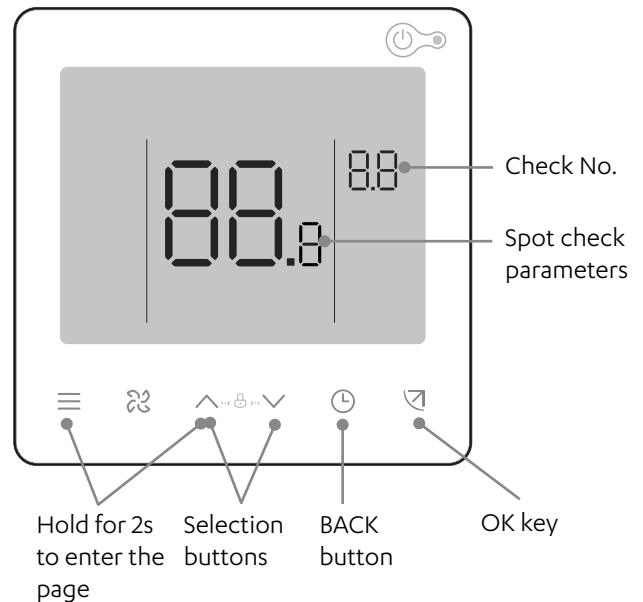
 **CAUTION**

- Error codes are displayed only for certain Outdoor Unit models and Indoor Unit configurations (including the wired controller and display panel).
- When the main control program is being upgraded, make sure that the Indoor Unit and Outdoor Unit remain powered on. Otherwise, the upgrading process will stop.

10.03. Spot Check Description

Use the bi-directional communication wired controller (for example, MWC-B01CS) to activate the spot check function in the following steps:

1. On the main page, hold "≡" and "^" for 2s to enter the query page. The Outdoor Unit displays u00-u03, the Indoor Unit displays n00-n63 (the last two digits show the Indoor Unit address), and the wired controller displays CC. Press the "^" or "v" key to select the Indoor Unit, and press the "↵" key to enter the parameter query page.
2. Press the "^" or "v" key to query the parameters, and the parameters can be queried cyclically. See the spot check list below for details.
3. Press the "⌚" key to exit the query function.
4. On the top of the query page, the "Timing area" displays the spot check serial number, and the "Temperature area" displays the content of the spot check parameters.



No.	Displayed content	No.	Displayed content
1	Indoor Unit and Outdoor Unit communication address (current Indoor Unit addresses are displayed every 0.5s)	13	Compressor discharge temperature
2	Capacity HP of Indoor Unit	14	Target overheating
3	Actual set temperature Ts	15	EEV opening (actual opening/8)
4	Current running set temperature Ts	16	Software version No.
5	Actual T1 indoor temperature	17	Display board version No.
6	Modified indoor temperature T1_modify	18	Fan drive version No.
7	T2 heat exchanger intermediate temperature	19	Historical error code (recent)
8	T2A heat exchanger liquid pipe temperature	20	Historical error code (sub-recent)
9	T2B heat exchanger gas pipe temperature	21	Indoor Unit network address display
10	Actual set humidity RHs	22	Indoor Unit expansion board address display
11	Actual RH indoor humidity	23	[— — —] is displayed
12	Real-time static pressure		

11. Test Run

- Indoor Units and the Outdoor Unit are properly installed.
- The piping is correct, and the refrigerant piping system has been checked for leakage.
- Piping length and the amount of refrigerant charged have been recorded.
- The wiring is correct and firm without virtual connection issues. Ground wires have been properly connected.
- The voltage of the power supply is the same as the rated voltage of the air conditioner.
- Heat insulation is complete.
- There are no obstructions at the air inlet and outlet of the Indoor Unit and Outdoor Unit.
- Fully open the check valves of the gas pipe and liquid pipe of the Outdoor Unit.
- Turn on the power supply to preheat the Outdoor Unit for 12 hours.

11.01. Test Run

In the event of a failure, please troubleshoot according to the “Symptoms That Are Not Faults” in the “Precautions for Use” in this manual.

11.02. Indoor Unit

- The wired/remote controller switch is operating normally.
- The display of the wired/remote controller is normal, the function keys work normally, the room temperature adjustment is normal, and the air flow and direction adjustment are normal.
- The LED indicator is on.
- Water discharge is normal.
- Check the Indoor Units one by one for normal operation, and the cooling and heating functions are normal without vibration or abnormal sound.

11.03. Outdoor Unit

- There are no vibrations or strange sounds during operation.
- The fan, noise and condensation do not affect the neighbors.
- There is no refrigerant leakage.

11.04. Inspection After Installation

To ensure a comfortable indoor environment, please run down through the list to check whether the installation of the air conditioner meets the requirements. Insert a “X” for Fail and a “✓” for Pass.

Check Item	Check Criteria	Check Result (Pass/Fail)
Are the Indoor Units and Outdoor Units securely installed?	The air conditioner does not fall or vibrate, and there is no noise.	
Has the installation of the Indoor Unit been completed?	The unit works properly and no parts are burned out.	
Has a leak test been performed?	The cold/hot air is sufficient.	
Is the heat insulation in good condition (refrigerant piping, drainage pipe, and air ducts)?	There is no condensation dripping.	
Were the copper pipes sealed before installation to prevent dust from entering?	The compressor is functional.	
Is the refrigerant piping filled with nitrogen for shielded welding during the welding process (a nitrogen cylinder is on site)?	There is no oxide film on the inner surface of the copper pipe. The system is functional with no major failures.	
Has a water discharge test been performed? Is drainage smooth? Is the connection secure?	There is no water leakage.	
Is the power supply voltage consistent with the specified voltage on the unit nameplate?	The unit works properly and no parts are burned out.	
Are the wires and pipes connected correctly?	The unit works properly and no parts are burned out.	
Is the air conditioner safely grounded?	There is no electric leakage.	
Have wires of the specified size been used?	The unit works properly and no parts are burned out.	
Are the terminal screws securely fastened?	There is no electric shock or fire.	
Are the inlets and outlets of the Indoor Units and Outdoor Units free of obstruction?	The cold/hot air is sufficient.	
Has the unit's external static pressure been set for the Indoor Unit in constant speed mode?	The cooling and heating functions are normal.	
Has the refrigerant piping length and refrigerant charge been recorded?	The amount of refrigerant in the air conditioning system is clear.	
Was an access hole reserved at the installation position of the Indoor Unit?	The maintenance can be easily carried out.	
Are air filters and grilles installed (at air inlets and outlets)?	The unit works properly.	
Does the temperature of each room meet the requirements during testing?	Users' comfort needs can be satisfied.	
Have you explained to the user how to operate the unit according to the user manual?	The unit is effective.	
Have you explained to the user how to operate and clean the air filter, grille (air inlets and outlets), etc.?	The unit is effective.	

12. Cleaning, Maintenance and After-Sales Service

12.01. Safety Warning

WARNING

- For safety reasons, always turn off the air conditioner and turn off the power before cleaning the air conditioner.
- Do not disassemble or repair the air conditioner by yourself; otherwise, it may cause fire or other hazards. Only professional service personnel can carry out the maintenance.
- Do not use flammable or explosive materials (such as hair styling agents or pesticides) near the product.
- Do not use organic solvents such as paint thinner to clean this product; otherwise, it may cause cracks, electric shock or fire.
- Only qualified dealers and professionally qualified electricians can install the optional accessories. Be sure to use the optional accessories specified by our company.
- Improper installation by yourself may result in water leakage, electric shock or fire. Do not wash the air conditioner with water; otherwise, it may cause an electric shock. Use a stable standing platform.

12.02. Cleaning and Maintenance

Cleaning the Air Filter

CAUTION

Air filters are optional.

Air filters can be used to remove dust or other particles from the air, and if clogged, the effectiveness of the air conditioner will be greatly reduced.

Therefore, be sure to clean the air filter frequently when using it for an extended period.

For the Indoor Unit with constant speed mode, if it is installed in a place with a lot of dust, it is recommended that you clean the filter once a month. For Indoor Units with a constant air flow mode, clean the filter when you receive the reminder of the wired controller.

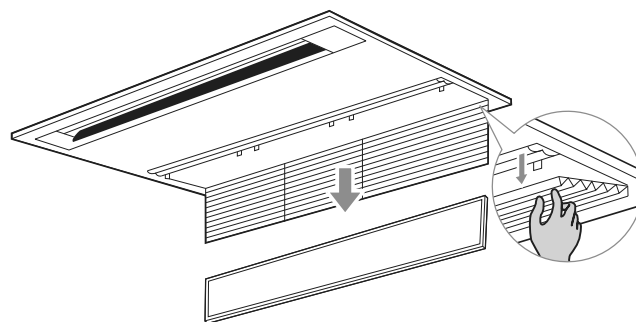
If excess dirt makes the filter difficult to clean, replace the filter.

Do not remove the air filter unless it is being cleaned; otherwise, it may cause malfunction.

12.02.01. Procedure Diagram

1. Remove the air inlet grille.

Hold both hands on the clip of the return air outlet and slowly open it downward, pull it inward, and press the clip of the dust screen to take it out.

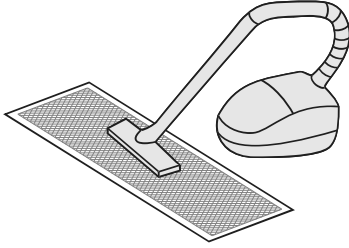
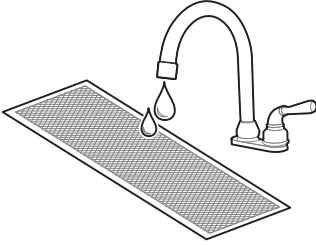


2. Remove the filter.

NOTE

Only professionals can change and disassemble the filter. Any improper operations may cause electric shock or injuries due to touching rotating parts.

3. Clean the filter.

<p>Clean the filter with a vacuum cleaner, with the air inlet side of the filter facing upwards.</p>	<p>Clean the filter with clean water (except for the activated carbon module), with the air inlet side of the filter facing upwards.</p>
	

4. Reinstall the filter.

5. Reinstall and close the air inlet grille by following steps 1 and 2 above in reverse.

12.02.02. Cleaning Air Outlets and Exterior Panels

1. Wipe the air outlet and panel with a dry cloth.

2. If a stain is hard to remove, clean it with clean water or neutral detergent.

⚠ CAUTION

Do not use gasoline, benzene, volatile agents, decontamination powder or liquid insecticides. Otherwise, the air outlet or panel may become discolored or deformed.

Do not expose the inside of the Indoor Unit to moisture, as it may result in electric shock or fire. When cleaning the louver with water, do not scrub it violently.

If the air conditioner is used without an air filter, the accumulation of dust in the air conditioner will often cause malfunctions due to the failure to remove dust from the indoor air.

12.02.03. Maintenance

During in-depth maintenance, the air conditioner should be cleaned and maintained by professional technicians every 2 to 3 years.

For the Indoor Unit in constant speed mode, the primary efficiency filter is usually cleaned every three months.

When operating in a dusty environment, the air flow and capacity of the filter will decrease. The filter may even become blocked, and the air conditioner performance and indoor air compromised.

Preheat the unit in advance.

When the heating season comes, power on the Outdoor Unit master unit for preheating more than 4 hours before use. The preheating time depends on the weather temperature. This can make the air conditioner operate more stably and help the refrigeration oil in the air conditioner compressor to maintain the best lubrication state, which can prolong the service life of the compressor.

Complete the following steps before the air conditioner is put out of use for a long period:

1. If the air conditioner is not in use for a long time due to seasonal changes, keep the unit running for 4-5 hours in fan mode until the unit becomes completely dry. Otherwise, it may grow mold indoors and have negative health effects.
2. When not in use for a long time, power off or unplug the power plug to reduce standby power consumption, and wipe the wireless remote controller with a clean soft dry cloth and remove the battery.
3. Turn on the power switch 12 hours before using the air conditioner again. In addition, in seasons when air conditioners are frequently used, keep the power switch on. Otherwise, failures may occur.

CAUTION

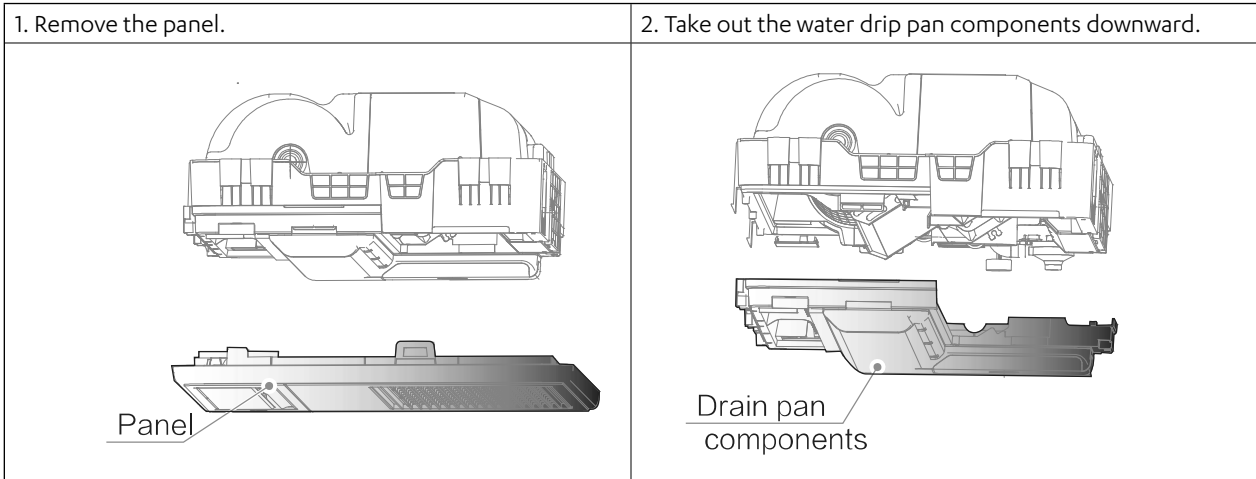
Before the air conditioner is idle for a long time, the internal components of the Outdoor Units should be checked and cleaned regularly. For more details, please contact the local air conditioner customer service center or special technical service department.

Check the return air inlet and outlet of the Outdoor Unit and Indoor Unit after long periods of use to see if they are blocked; if an inlet/outlet is blocked, clean it immediately.

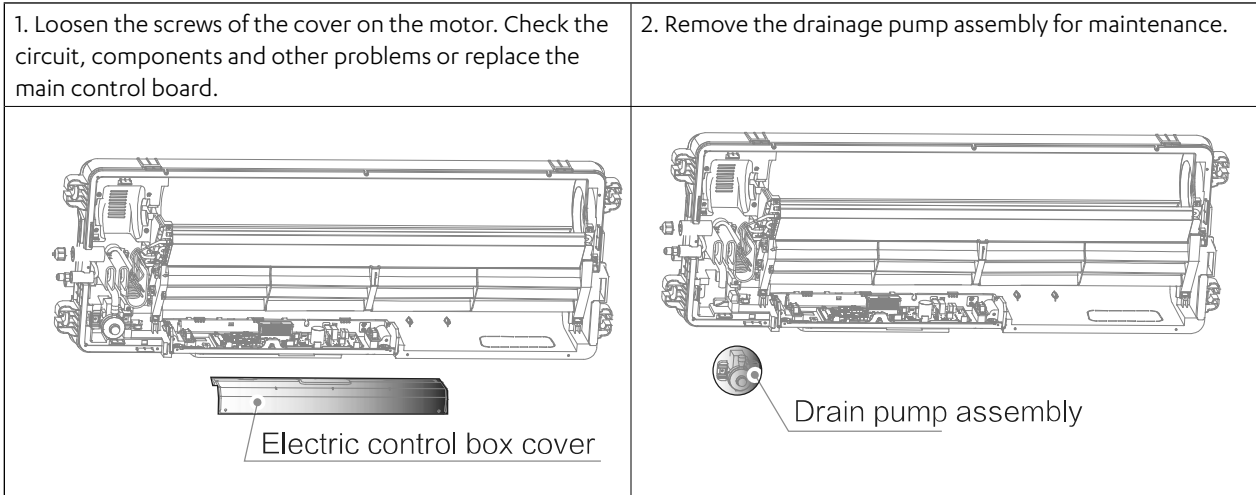
12.03. Maintenance of Conventional Parts

12.03.01. Steps to dismantle the drain pan

The drain pan must first be removed during the maintenance of the internal unit assembly. Dismantle the drain pan according to the following schematic to prevent water leakage in the unit (Make sure there is no residual water in the drain pan before you dismantle it).



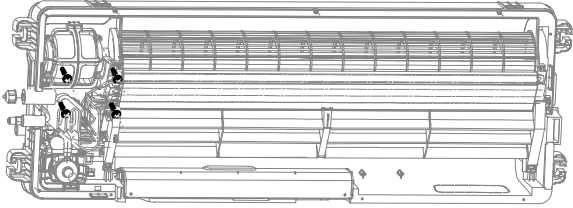
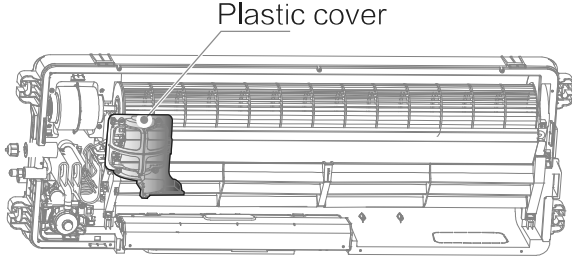
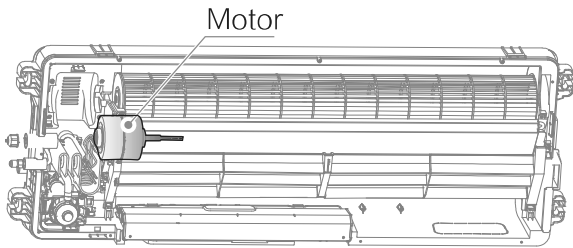
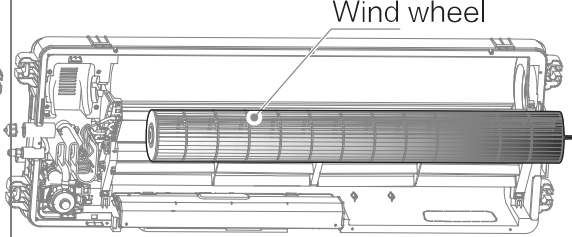
12.03.02. Maintenance of electric control and drainage pump



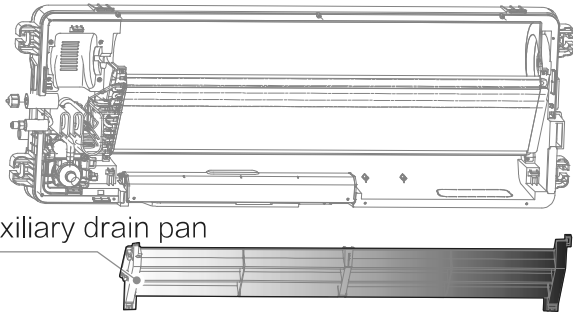
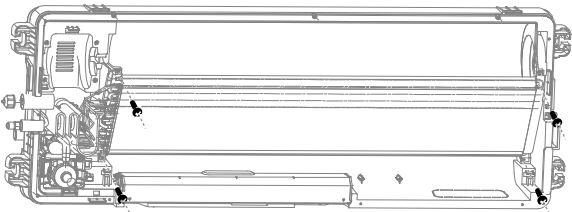
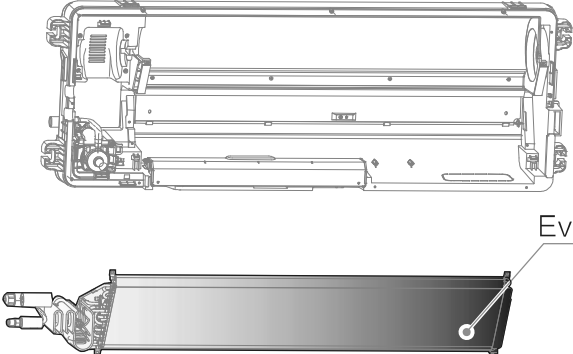
NOTE

A The electronic control boards of different internal machines shall not be interchanged.

12.03.03. Maintenance of motor and wind wheel

<p>1. Loosen the screws of the cover on the motor.</p> 	<p>2. Remove the plastic cover from the motor.</p>  <p>Plastic cover</p>
<p>3. Remove the motor for maintenance or replacement.</p>  <p>Motor</p>	<p>4. Remove the windwheel.</p>  <p>Wind wheel</p>

12.03.04. Maintenance of evaporator

<p>1. Remove the panel, drain pan, motor and wind wheel according to the above steps.</p>	
<p>2. Press the clip and remove the auxiliary water drip pan.</p>  <p>Auxiliary drain pan</p>	<p>3. Loosen the screws that secure the evaporator.</p> 
<p>4. Remove the evaporator.</p>  <p>Evaporator</p>	

THIS PAGE WAS INTENTIONALLY LEFT BLANK



actronair.com.au

1300 522 722



©Copyright 2023 Actron Engineering Pty Limited ABN 34 002767240. ®Registered Trade Marks of Actron Engineering Pty Limited. ActronAir is constantly seeking ways to improve the design of its products. Therefore, specifications are subject to change without notice.